



**STRONG PARTNERS.
TOUGH TRUCKS.™**



FOUR-WHEEL ELECTRIC COUNTERBALANCED LIFT TRUCKS

E4.0-5.5XN

4 000-5 500 KG





E4.0XN, E5.0XNS, E5.0XN, E5.5XN

DISTINGUISHING MARK	HYSTER			
	E4.0XN	E5.0XNS	E5.0XN	E5.5XN
1.1	Manufacturer (abbreviation)			
1.2	Manufacturer's type designation			
1.3	Drive: electric (battery or mains), diesel, petrol, fuel gas			
1.4	Operator type: hand, pedestrian, standing, seated, order-picker			
1.5	Rated capacity / rated load Q (kg)			
1.6	Load centre distance c (mm)			
1.8	Load distance, centre of drive axle to fork x (mm)			
1.9	Wheelbase y (mm)			
WEIGHTS				
2.1	Service weight (max. battery) kg			
2.2	Axle loading, laden front/rear (max. battery) kg			
2.3	Axle loading, unladen front/rear (max. battery) kg			
TYRES/CHASSIS				
3.1	Tyres: L = pneumatic, V = cushion, SE = Pneumatic Shape Solid			
3.2	Tyre size, front			
3.3	Tyre size, rear			
3.5	Number of wheels, front / rear (X = driven)			
3.6	Tread, front * b ₁₂ (mm)			
3.7	Tread, rear b ₁₁ (mm)			
DIMENSIONS				
4.1	Tilt of mast / fork carriage forward / backward α / β (°)			
4.2	Height, mast lowered h ₁ (mm)			
4.3	Free lift ¶ h ₂ (mm)			
4.4	Lift ¶ h ₃ (mm)			
4.5	Height, mast extended ■ h ₄ (mm)			
4.7	Height of overhead guard (cabin) h ₅ (mm)			
4.8	Seat height/stand height ● h ₆ (mm)			
4.12	Coupling height h ₁₀ (mm)			
4.19	Overall length l ₁ (mm)			
4.20	Length to face of forks l ₂ (mm)			
4.21	Overall width * b ₁ /b ₂ (mm)			
4.22	Fork dimensions s/e/l (mm)			
4.23	Fork carriage DIN 15173. Class, A/B			
4.24	Fork carriage width ● b ₃ (mm)			
4.31	Ground clearance, laden, below mast m ₁ (mm)			
4.32	Ground clearance, centre of wheelbase m ₂ (mm)			
4.34.1	Aisle width with pallets 1 000 x 1 200 wide Ast (mm)			
4.34.2	Aisle width with pallets 800 x 1 200 long Ast (mm)			
4.35	Turning radius Wa (mm)			
4.36	Internal turning radius b ₁₃ (mm)			
PERFORMANCE DATA				
5.1	Travel speed, laden / unladen ▽ km/h			
5.2	Lift speed, laden / unladen m/sec			
5.3	Lowering speed, laden / unladen m/sec			
5.5	Drawbar pull, laden / unladen ** N			
5.6	Maximum drawbar pull laden / unladen *** N			
5.7	Gradeability laden / unladen **** %			
5.8	Maximum gradeability laden / unladen *** %			
5.9	Acceleration time, laden / unladen ○ sec			
5.10	Service brake, Control / Operation			
ELECTRIC ENGINE				
6.1	Drive motor rating S2 60 min kW			
6.2	Lift motor rating at S3 15% kW			
6.3	Battery according to DIN 43531/35/36 A, B, C, no			
6.4	Battery voltage / nominal capacity K5 V/ah			
6.5	Battery weight (min / max) kg			
6.6	Energy consumption according to VDI cycle △ kWh/h			
ADDITIONAL DATA				
8.1	Drive control			
10.1	Operating pressure for attachments bar			
10.2	Oil volume for attachments >> l/min			
10.7	Average noise level at operator's ear according to EN 12053 ☼ dB(A)			
10.8	Towing coupling, type DIN			

* Standard / Wide tread ** 60 minute rating *** 5 minute rating **** 30 minute rating

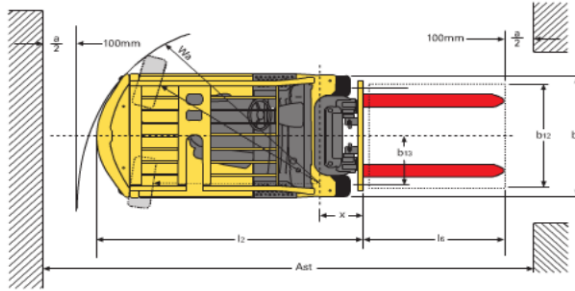
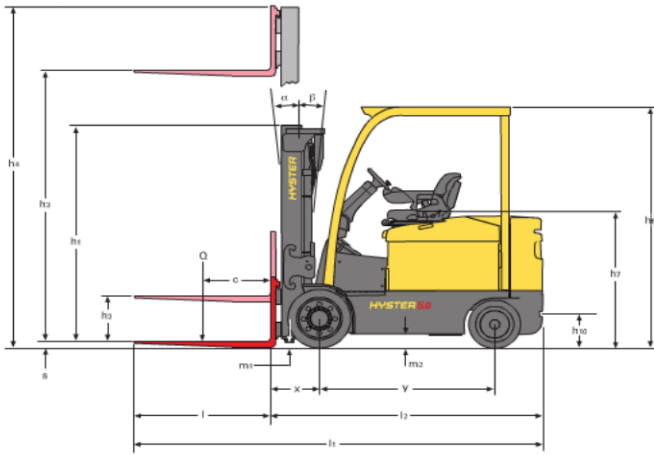
Specification data is based on VDI 2198

Equipment and weight:

Weights (line 2.1) are based on the following specifications:
Complete truck with 4350mm BOF (E4.0XN)/4800 (E5.0-5.5XN) Vista 2-stage Limited free lift mast, 1067mm (E4.0XN)/ 1219mm (E5.0-5.5XN) standard carriage with load backrest and 1000 mm forks, eLo performance with DIN battery configuration, standard seat, overhead guard and cushion tyres.



TRUCK DIMENSIONS



$Ast = Wa + x + l6 + a$ (see line 4.34.1 & 4.34.2)
 a = Minimum operating clearance
 (VDI standard = 200 mm BITA recommendation = 300 mm)
 $l6$ = Load length
 *Standard tread shown-see line 3.6 for optional tread

NOTE:

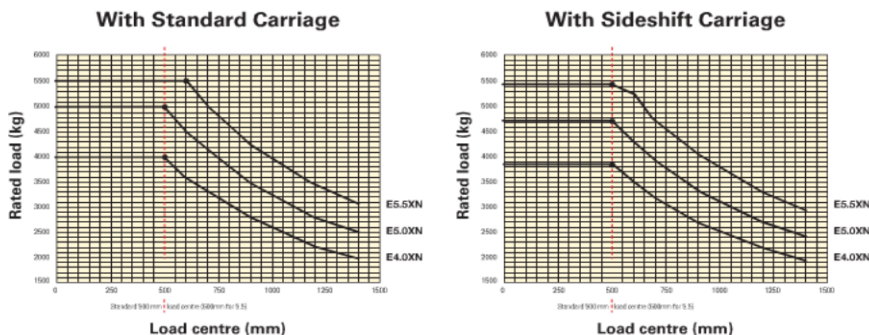
Specifications are affected by the condition of the vehicle and how it is equipped, as well as the nature and condition of the operating area. If these specifications are critical, the proposed application should be discussed with your Hyster dealer.

- ¶ Bottom of forks
- Without load backrest
- + $h6$ subject to +/- 5 mm tolerance.
- Full Suspension specified. Unladen vehicle, with seat-index point SIP according to ISO 6055
- ◆ Stacking aisle width (lines 4.34.1 & 4.34.2) is based on the VDI standard calculation as shown on illustration. The British Industrial Truck Association recommends the addition of 100 mm to the total clearance (dimension a) for extra operating margin at the rear of the truck.
- † Gradeability figures (lines 5.7 & 5.8) are provided for comparison of tractive performance, but are not intended to endorse the operation of the vehicle on the stated inclines. Follow instructions in the operating manual regarding operation on inclines.
- Add 30mm with load backrest
- ▽ HiP performance
- △ eLo performance setting
- >> Maximum flow set through dash display.
- ⊙ LPAZ, measured according to the test cycles and based on the weighting values contained in EN12053

Tables Key:

- ★ Add 501mm with load backrest extension.
- ▼ Add 452mm with load backrest extension.
- Deduct 452mm with load backrest extension
- ▶ Add 374mm with load backrest extension
- * Add 325mm with load backrest extension
- Deduct 325mm with load backrest extension
- ✱ Add 320mm with load backrest extension
- ▲ Deduct 320mm with load backrest extension
- ❖ Max fork height = $h3+s$
- Freelift (top of forks) = $h2+s$

RATED CAPACITIES



Load centre: Distance from front forks to centre of gravity of load.
Rated load: Based on vertical masts up to 4 600 mm to top of forks.

Notice

Care must be exercised when handling elevated loads. When the carriage and/or load is elevated, truck stability is reduced. It is important that mast tilt in either direction be kept to a minimum when loads are elevated

Operators must be trained and adhere to the instructions contained in the Operating Manual.

Hyster products are subject to change without notice. Lift trucks illustrated may feature optional equipment.

CE Safety:

This truck conforms to the current EU requirements.



MAST AND CAPACITY INFORMATION

Values shown are for standard equipment. When using non-standard equipment these values may change. Please contact your Hyster dealer for information

VISTA MASTS E4.0XN

	Maximum Fork Height (mm) ❖	Back Tilt	Overall Lowered Height (mm)	Overall Extended Height (mm)	Free lift (top of forks) (mm) □
Vista 2-Stage limited free lift	3050	5	2134	3783 ★	150
	3650	5	2434	4383 ★	150
	4350	5	2784	5083 ★	150
Vista 2-Stage full free lift	3075	5	2134	3857 ▼	1352 ○
	3675	5	2434	4457 ▼	1652 ○
Vista 3-Stage full free lift	4415	5	2134	5197 ▼	1352 ○
	4950	5	2334	5732 ▼	1552 ○
	5550	5	2534	6332 ▼	1752 ○

E4.0XN = 50x120x1000 mm forks

VISTA MASTS E5.0XNS and E5.0XN

	Maximum Fork Height (mm) ❖	Back Tilt	Overall Lowered Height (mm)	Overall Extended Height (mm)	Free lift (top of forks) (mm) □
Vista 2-Stage limited free lift	3390	5	2438	4257 ▶	150
	3990	5	2738	4857 ▶	150
	4790	5	3238	5657 ▶	150
Vista 2-Stage full free lift	2815	5	2138	3731 ✱	1222 ✱
	3415	5	2438	4331 ✱	1522 ✱
Vista 3-Stage full free lift	4137	5	2138	5058 ✕	1217 ▲
	4690	5	2338	5611 ✕	1417 ▲
	4990	5	2438	5911 ✕	1517 ▲
	5290	5	2538	6211 ✕	1617 ▲
	5740	5	2738	6661 ✕	1817 ▲

E5.0XNS and E5.0XN = 50x150x1000 mm forks

VISTA MASTS E5.5XN

	Maximum Fork Height (mm) ❖	Back Tilt	Overall Lowered Height (mm)	Overall Extended Height (mm)	Free lift (top of forks) (mm) □
Vista 2-Stage limited free lift	3400	5	2438	4257 ▶	160
	4000	5	2738	4857 ▶	160
	4800	5	3238	5657 ▶	160
Vista 2-Stage full free lift	2825	5	2138	3731 ✱	1232 ✱
	3425	5	2438	4331 ✱	1532 ✱
Vista 3-Stage full free lift	4147	5	2138	5058 ✕	1227 ▲
	4700	5	2338	5611 ✕	1427 ▲
	5000	5	2438	5911 ✕	1527 ▲
	5300	5	2538	6211 ✕	1627 ▲
	5750	5	2738	6661 ✕	1827 ▲

E5.5XN = 60x150x1200 mm forks



E4.0XN - capacity chart in kg @ 500, 600, and 700 mm load centres

	Cushion Tyres						
	Maximum fork height (mm) ❖	Without sideshift			With integral sideshift		
		500mm LC	600mm LC	700mm LC	500mm LC	600mm LC	700mm LC
Vista 2-Stage limited free lift	3050	4000	3600	3360	3870	3520	3220
	3650	4000	3600	3340	3860	3500	3210
	4350	4000	3600	3330	3860	3500	3210
Vista 2-Stage full free lift	3075	4000	3600	3380	3910	3560	3270
	3675	4000	3600	3360	3900	3550	3260
Vista 3-Stage full free lift	4415	4000	3600	3360	3850	3510	3230
	4950	3910	3520	3270	3750	3420	3140
	5550	3790	3410	3170	3630	3310	3040

E4.0XN = 50x120x1000 mm forks. Wide Tread required on 3-stage masts.

E5.0XNS - capacity chart in kg @ 500, 600, and 700 mm load centres

	Cushion Tyres						
	Maximum fork height (mm) ❖	Without sideshift			With integral sideshift		
		500mm LC	600mm LC	700mm LC	500mm LC	600mm LC	700mm LC
Vista 2-Stage limited free lift	3390	5000	4500	4180	4760	4330	3970
	3990	5000	4500	4170	4650	4320	3960
	4790	5000	4500	4140	4700	4280	3920
Vista 2-Stage full free lift	2815	5000	4500	4210	4840	4410	4050
	3415	5000	4500	4200	4820	4400	4040
Vista 3-Stage full free lift	4137	5000	4500	4180	4730	4310	3970
	4690	5000	4500	4170	4710	4300	3950
	4990	4940	4440	4110	4650	4240	3900
	5290	4880	4390	4060	4590	4180	3850
	5740	4730	4300	3960	4480	4090	3760

E5.0XNS = 50x150x1200 mm forks. Wide Tread required on 3-stage masts.

E5.0XN - capacity chart in kg @ 500, 600, and 700 mm load centres

	Cushion Tyres						
	Maximum fork height (mm) ❖	Without sideshift			With integral sideshift		
		500mm LC	600mm LC	700mm LC	500mm LC	600mm LC	700mm LC
Vista 2-Stage limited free lift	3390	5000	4500	4180	4760	4330	3970
	3990	5000	4500	4170	4650	4320	3960
	4790	5000	4500	4140	4700	4280	3920
Vista 2-Stage full free lift	2815	5000	4500	4210	4840	4410	4050
	3415	5000	4500	4200	4820	4400	4040
Vista 3-Stage full free lift	4137	5000	4500	4180	4730	4310	3970
	4690	5000	4500	4170	4710	4300	3950
	4990	4930	4440	4110	4650	4240	3900
	5290	4820	4390	4060	4580	4180	3850
	5740	4670	4300	3960	4450	4080	3750

E5.0XN = 50x150x1200 mm forks. Wide Tread required on 3-stage masts.

E5.0XN - capacity chart in kg @ 500, 600, and 700 mm load centres

	Cushion Tyres						
	Maximum fork height (mm) ❖	Without sideshift			With integral sideshift		
		500mm LC	600mm LC	700mm LC	500mm LC	600mm LC	700mm LC
Vista 2-Stage limited free lift	3400	5500	5500	5070	5500	5250	4820
	4000	5500	5500	5060	5500	5230	4800
	4800	5500	5500	5040	5500	5210	4780
Vista 2-Stage full free lift	2825	5500	5500	5100	5500	5340	4910
	3425	5500	5500	5080	5500	5320	4890
Vista 3-Stage full free lift	4147	5500	5500	5070	5500	5230	4820
	4700	5500	5500	5050	5500	5220	4800
	5000	5440	5440	5000	5440	5160	4740
	5300	5380	5380	4930	5380	5090	4690
	5750	5280	5260	4830	5280	4980	4590

E5.0XN = 50x150x1200 mm forks. Wide Tread required on 3-stage masts.