



Operator's Manual

Serial Number Range

Z-60/37DC
Z-60/37FE

from Z6016N-101

CE

with
Maintenance
Information

Original Instructions
First Edition
Second Printing
Part No. 1270491



Contents

Introduction	1
Symbol and Hazard Pictorials Definitions.....	5
General Safety	7
Personal Safety.....	11
Work Area Safety.....	12
Legend	21
Controls.....	22
Inspections.....	29
Operating Instructions.....	44
Transport and Lifting Instructions	55
Maintenance	58
Specifications.....	62

Copyright © 2016 Terex Corporation

First Edition: Second Printing, December 2016

Genie and "Z" are registered trademarks of Terex South Dakota, Inc. in the U.S.A. and many other countries.

CE Complies with EC Directive 2006/42/EC
See EC Declaration of Conformity

Introduction

About this manual

Genie appreciates your choice of our machine for your application. Our number one priority is user safety, which is best achieved by our joint efforts. This book is an operation and daily maintenance manual for the user or operator of a Genie machine.

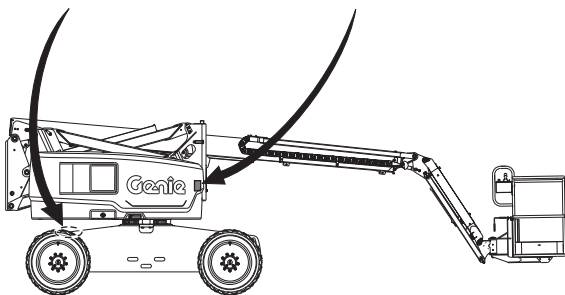
This manual should be considered a permanent part of your machine and should remain with the machine at all times. If you have any questions, contact Genie.

Product Identification

The machine serial number is located on the serial label.

Serial number stamped on chassis

Serial label (located under cover)



Intended Use

This machine is intended to be used only to lift personnel, along with their tools and materials to an aerial work site.

Bulletin Distribution and Compliance

Safety of product users is of paramount importance to Genie. Various bulletins are used by Genie to communicate important safety and product information to dealers and machine owners.

The information contained in the bulletins is tied to specific machines using the machine model and serial number.

Distribution of bulletins is based on the most current owner on record along with their associated dealer, so it is important to register your machine and keep your contact information up to date.

To ensure safety of personnel and the reliable continued operation of your machine, be sure to comply with the action indicated in a respective bulletin.



Introduction

Contacting the Manufacturer

At times it may be necessary to contact Genie. When you do, be ready to supply the model number and serial number of your machine, along with your name and contact information. At minimum, Genie should be contacted for:

Accident reporting

Questions regarding product applications and safety

Standards and regulatory compliance information

Current owner updates, such as changes in machine ownership or changes in your contact information. See Transfer of Ownership, below.

Transfer of Machine Ownership

Taking a few minutes to update owner information will ensure that you receive important safety, maintenance and operating information that applies to your machine.

Please register your machine by visiting us on the web at www.genielift.com or by calling us toll free at 1-800-536-1800.

Introduction



Danger

Failure to obey the instructions and safety rules in this manual will result in death or serious injury.

Do Not Operate Unless:

- You learn and practice the principles of safe machine operation contained in this operator's manual.
 - 1 Avoid hazardous situations.**
 - Know and understand the safety rules before going on to the next section.**
 - 2 Always perform a pre-operation inspection.
 - 3 Always perform function tests prior to use.
 - 4 Inspect the workplace.
 - 5 Only use the machine as it was intended.
- You read, understand and obey the manufacturer's instructions and safety rules—safety and operator's manuals and machine decals.
- You read, understand and obey employer's safety rules and worksite regulations.
- You read, understand and obey all applicable governmental regulations.
- You are properly trained to safely operate the machine.

Safety Sign Maintenance

Replace any missing or damaged safety signs. Keep operator safety in mind at all times. Use mild soap and water to clean safety signs. Do not use solvent-based cleaners because they may damage the safety sign material.



Introduction

Hazard Classification

Decals on this machine use symbols, color coding and signal words to identify the following:



Safety alert symbol—used to alert you to potential personal injury hazards. Obey all safety messages that follow this symbol to avoid possible injury or death.



Indicates a hazardous situation which, if not avoided, will result in death or serious injury.



Indicates a hazardous situation which, if not avoided, could result in death or serious injury.



Indicates a hazardous situation which, if not avoided, could result in minor or moderate injury.





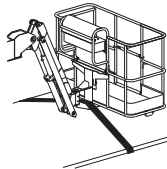
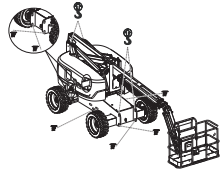


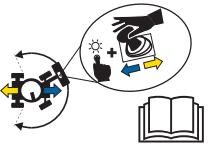




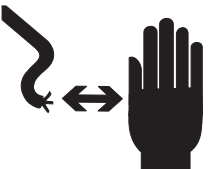

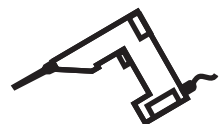

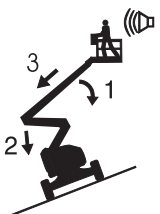
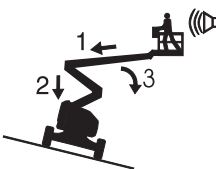



Indicates a property damage message.

Symbol and Hazard Pictorials Definitions

<p>Fire hazard</p>	<p>Explosion hazard</p>	<p>Explosion hazard</p>	<p>Do not use ether or other high energy starting aids on machines equipped with glow plugs.</p>	<p>No smoking. No flame. Stop engine.</p>
<p>Crush hazard</p>	<p>No smoking</p>	<p>Explosion hazard</p>	<p>Electrocution hazard</p>	<p>Maintain required clearance</p>
<p>Tip-over hazard</p>	<p>Tip-over hazard</p>	<p>Grounded AC 3-wire only</p>	<p>Replace damaged wires and cords</p>	<p>Replace tires with tires of same specification.</p>
<p>Wheel load</p>	<p>Wind speed</p>	<p>Maximum capacity</p>	<p>Side force</p>	<p>Batteries used as counterweights</p>

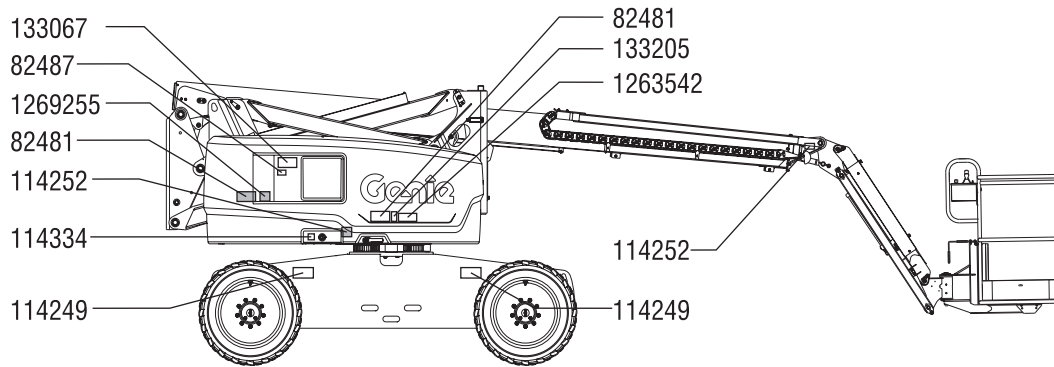


Symbol and Hazard Pictorials Definitions

				
Tie-down point	Lifting point	Platform tie-down instructions	Lifting & tie down instructions	Lanyard anchorage points
				
Corrosive acid.	Color Coded Direction Arrows	Runaway Hazard	Collision hazard	Collision hazard
				
Electrocution hazard	Avoid contact	Disconnect battery	Voltage rating for power to platform	Pressure rating for air line to platform
<p>Recovery procedure if tilt alarm sounds while elevated.</p>  				
Platform uphill: 1 Lower primary. 2 Lower secondary. 3 Retract primary.	Platform downhill: 1 Retract primary. 2 Lower secondary. 3 Lower primary.	Read the operator's manual	Read the service manual	Access by trained and authorized personnel only

General Safety

Z-60/37DC



133067



82481



82487



133205



1269255



1263542



114252



114249



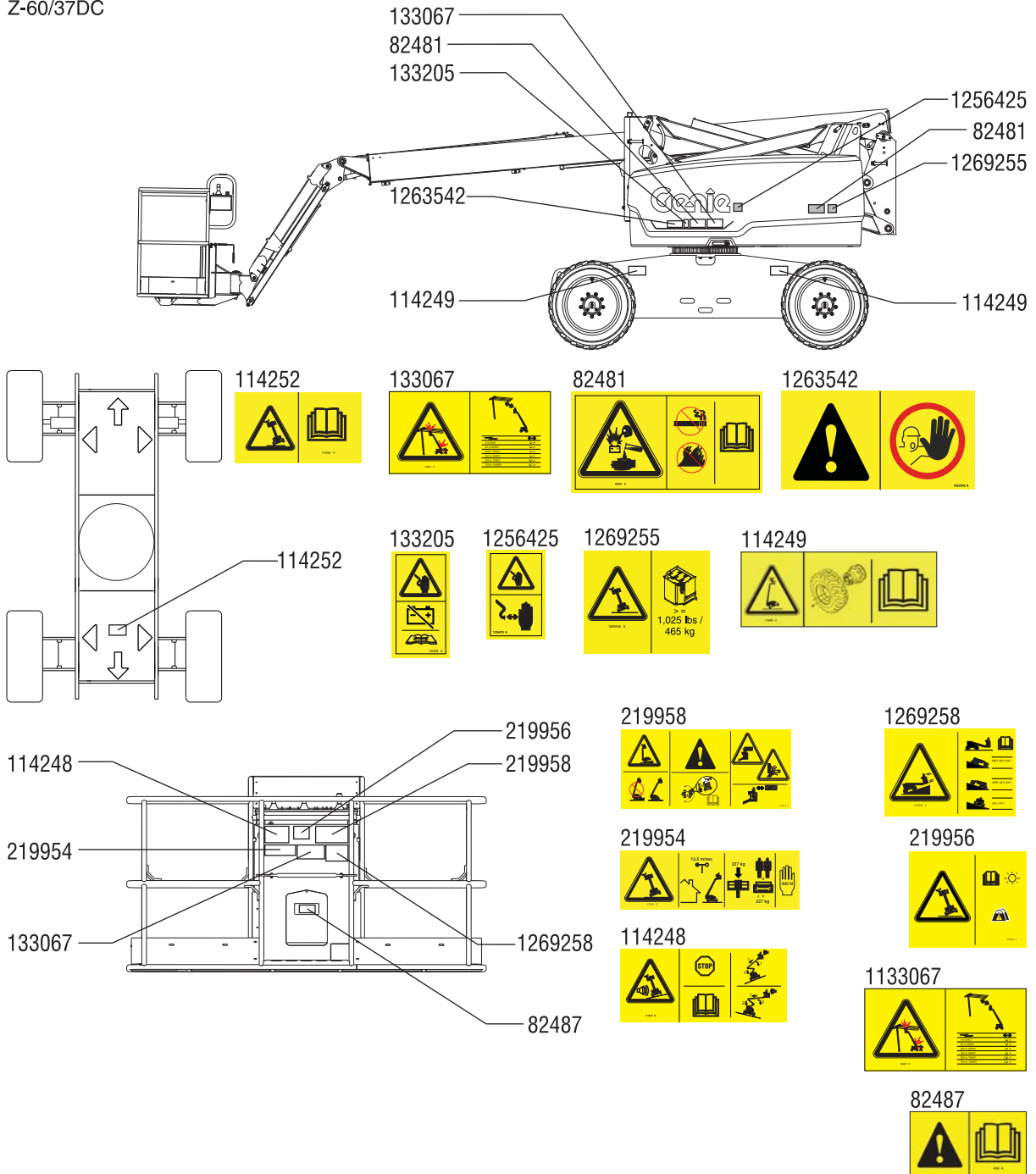
114334





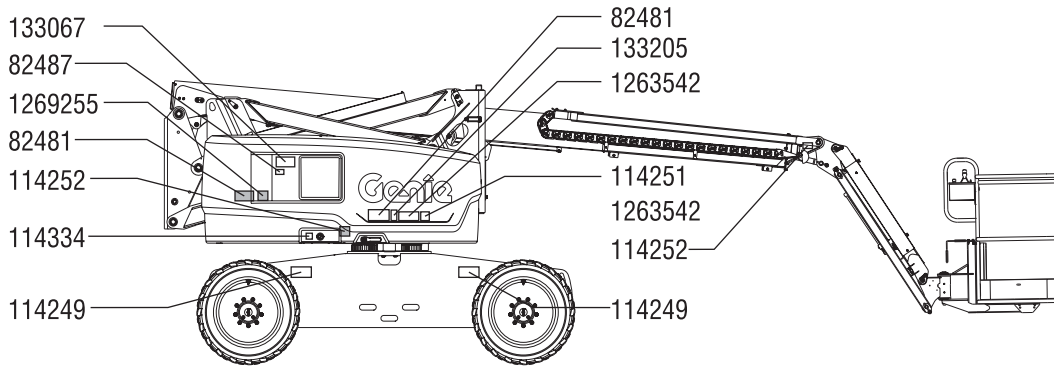
General Safety

Z-60/37DC



General Safety

Z-60/37FE



133067



82481



82487



133205



1269255



1263542



114252



114251



114334



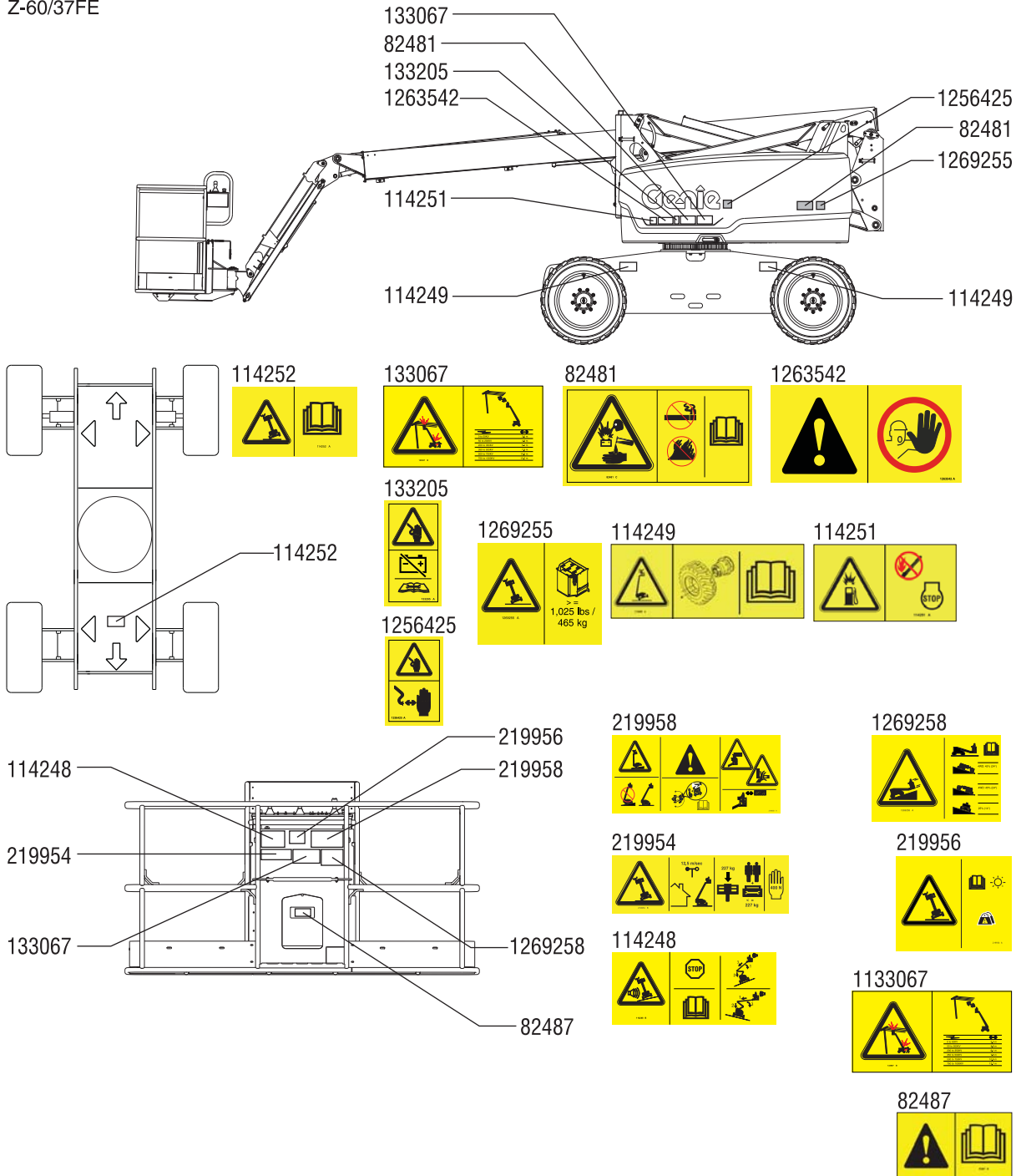
114249





General Safety

Z-60/37FE





Personal Safety

Personal Fall Protection

Personal fall protection equipment (PFPE) is required when operating this machine.

Occupants must wear a safety belt or harness in accordance with governmental regulations. Attach the lanyard to the anchor provided in the platform.

Operators must comply with employer, job site and governmental rules regarding the use of personal protective equipment.

All PFPE must comply with applicable governmental regulations, and must be inspected and used in accordance with the PFPE manufacturer's instructions.

Work Area Safety

⚠ Electrocuting Hazards

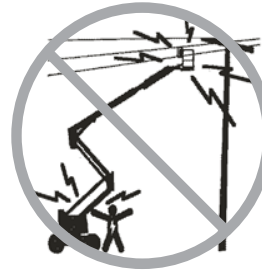
This machine is not electrically insulated and will not provide protection from contact with or proximity to electrical current.



Obey all local and governmental regulations regarding required clearance from electrical power lines. At a minimum, the required clearance contained in the chart below must be followed.

Line Voltage	Required Clearance
0 to 50KV	3.05 m
50 to 200KV	4.60 m
200 to 350KV	6.10 m
350 to 500KV	7.62 m
500 to 750KV	10.67 m
750 to 1000KV	13.72 m

Allow for platform movement, electrical line sway or sag, and beware of strong or gusty winds.



Keep away from the machine if it contacts energized power lines. Personnel on the ground or in the platform must not touch or operate the machine until energized power lines are shut off.

Do not operate the machine during lightning or storms.

Do not use the machine as a ground for welding.

⚠ Tip-over Hazards

Occupants, equipment and materials shall not exceed the maximum platform capacity or the maximum platform capacity of the platform extension.

Maximum platform capacity	227 kg
Maximum occupants	2

The weight of options and accessories, such as pipe cradles, panel cradles and welders, will reduce the rated platform capacity and must be subtracted from the platform capacity. See the decals with the options and accessories.

If using accessories, read, understand and obey the decals, instructions and manuals with the accessory.

Work Area Safety



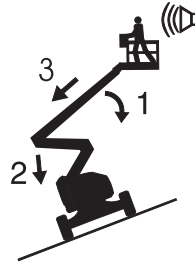
Do not raise or extend the boom unless the machine is on a firm, level surface.



Do not depend on the tilt alarm as a level indicator. The tilt alarm sounds in the platform only when the machine is on a severe slope.

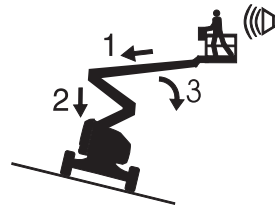
If the tilt alarm sounds while the boom is lowered: Do not extend, rotate or raise the boom above horizontal. Move the machine to a firm, level surface before raising the platform.

If the tilt alarm sounds when the platform is raised, use extreme caution. The Machine Not Level indicator light will come on and the drive function in one or both directions will not operate. Identify the condition of the boom on the slope as shown in the tilt alarm procedure. Follow the steps to lower the boom before moving to a firm, level surface. Do not rotate the boom while lowering.



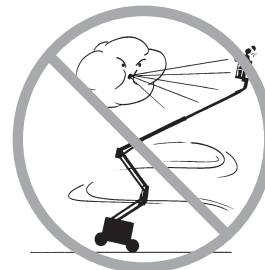
If the tilt alarm sounds with the platform uphill:

- 1 Lower the primary boom.
- 2 Lower the secondary boom.
- 3 Retract the primary boom.



If the tilt alarm sounds with the platform downhill:

- 1 Retract the primary boom.
- 2 Lower the secondary boom.
- 3 Lower the primary boom.



Do not raise the boom when wind speeds may exceed 12.5 m/s. If wind speeds exceed 12.5 m/s when the boom is raised, lower the boom and do not continue to operate the machine.

Do not operate the machine in strong or gusty winds. Do not increase the surface area of the platform or the load. Increasing the area exposed to the wind will decrease machine stability.

Work Area Safety



Use extreme care and slow speeds while driving the machine in the stowed position across uneven terrain, debris, unstable or slippery surfaces and near holes and drop-offs.

Do not drive the machine on or near uneven terrain, unstable surfaces or other hazardous conditions with the boom raised or extended.

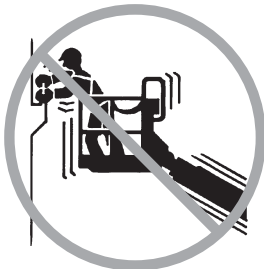
Do not use the machine as a crane.

Do not push the machine or other objects with the boom.

Do not contact adjacent structures with the boom.

Do not tie the boom or platform to adjacent structures.

Do not place loads outside the platform perimeter.



Do not push off or pull toward any object outside of the platform.

**Maximum allowable
manual force – 400 N**

Do not alter or disable machine components that in any way affect safety and stability.

Do not replace items critical to machine stability with items of different weight or specification.

Do not replace factory-installed tires with tires of different specification or ply rating.

Do not replace factory-installed foam-filled tires with air-filled tires. Wheel weight is critical to stability.

Do not use the platform controls to free a platform that is caught, snagged or otherwise prevented from normal motion by an adjacent structure. All personnel must be removed from the platform before attempting to free the platform using the ground controls.

Do not modify or alter an aerial work platform without prior written permission from the manufacturer. Mounting attachments for holding tools or other materials onto the platform, toeboards or guard rail system can increase the weight in the platform and the surface area of the platform or the load.

Work Area Safety



Do not place or attach fixed or overhanging loads to any part of this machine.



Do not place ladders or scaffolds in the platform or against any part of this machine.

Do not transport tools and materials unless they are evenly distributed and can be safely handled by person(s) in the platform.

Do not use the machine on a moving or mobile surface or vehicle.

Be sure the tires are in good condition and the lug nuts tightened.

⚠ Operation on Slopes Hazards

Do not drive the machine on a slope that exceeds the maximum uphill, downhill or side slope rating of the machine. Slope rating applies only to machines in the stowed position.

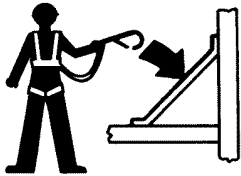
Maximum slope rating, stowed position, 4WD

Platform downhill	45%	(24°)
Platform uphill	45%	(24°)
Side slope	25%	(14°)

Note: Slope rating is subject to ground conditions with one person in the platform and adequate traction. Additional platform weight may reduce slope rating. See Driving on a Slope in the Operating Instructions section.

Work Area Safety

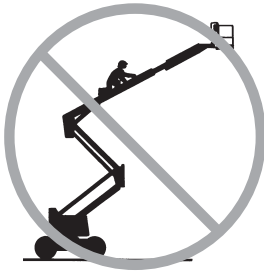
▲ Fall Hazards



Occupants must wear a safety belt or harness in accordance with governmental regulations. Attach the lanyard to the anchor provided in the platform.



Do not sit, stand or climb on the platform guard rails. Maintain a firm footing on the platform floor at all times.



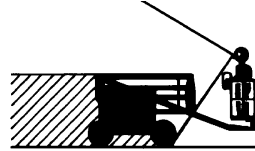
Do not climb down from the platform when raised.

Keep the platform floor clear of debris.

Lower the platform entry mid-rail or close the entry gate before operating.

Do not enter or exit the platform unless the machine is in the stowed position and the platform is at ground level.

▲ Collision Hazards



Be aware of limited sight distance and blind spots when driving or operating.

Be aware of the boom position and tailswing when rotating the turntable.



Check the work area for overhead obstructions or other possible hazards.



Be aware of crushing hazards when grasping the platform guard rail.

Operators must comply with employer, job site and governmental rules regarding use of personal protective equipment.

Work Area Safety

Observe and use the color-coded direction arrows on the platform controls and drive chassis for drive and steer functions.



Do not lower the primary boom or secondary boom unless the area below is clear of personnel and obstructions.



Limit travel speed according to the condition of the ground surface, congestion, slope, location of personnel, and any other factors which may cause collision.

Do not operate a boom in the path of any crane unless the controls of the crane have been locked out and/or precautions have been taken to prevent any potential collision.

No stunt driving or horseplay while operating a machine.

▲ Bodily Injury Hazard

Do not operate the machine with a hydraulic oil or air leak. An air leak or hydraulic leak can penetrate and/or burn skin.

Improper contact with components under any cover will cause serious injury. Only trained maintenance personnel should access compartments. Access by the operator is only advised when performing a pre-operation inspection. All compartments must remain closed and secured during operation.

When the engine is running, operate the machine in a well-ventilated area to avoid carbon monoxide poisoning.

▲ Explosion and Fire Hazards

Do not start the engine if you smell or detect diesel fuel or other explosive substances.

Do not refuel the machine with the engine running.

Refuel the machine and charge the batteries only in an open, well-ventilated area away from sparks, flames and lighted tobacco.

Do not operate the machine or charge the batteries in hazardous locations or locations where potentially flammable or explosive gases or particles may be present.

Do not spray ether into engine.

Work Area Safety

⚠ Damaged Machine Hazards

Do not use a damaged or malfunctioning machine.

Conduct a thorough pre-operation inspection of the machine and test all functions before each work shift. Immediately tag and remove from service a damaged or malfunctioning machine.

Be sure all maintenance has been performed as specified in this manual and the appropriate Genie service manual.

Be sure all decals are in place and legible.

Be sure the operator's, safety and responsibilities manuals are complete, legible and in the storage container located on the machine.

⚠ Component Damage Hazards

Do not use the machine as a ground for welding.

Do not use any battery or charger greater than 12V to jump-start the engine.

Do not operate the machine in locations where extremely high magnetic fields may be present.

⚠ Battery Safety

Burn Hazards

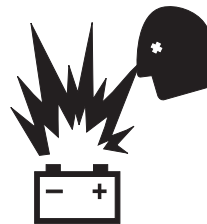


Batteries contain acid. Always wear protective clothing and eye wear when working with batteries.

Avoid spilling or contacting battery acid. Neutralize battery acid spills with baking soda and water.

Do not expose the batteries or the charger to water or rain during charging.

Explosion Hazards



Keep sparks, flames and lighted tobacco away from batteries. Batteries emit explosive gas.

The battery pack covers should remain open during the entire charging cycle.



Do not contact the battery terminals or the cable clamps with tools that may cause sparks.





Work Area Safety

Component Damage Hazard

Do not use any battery charger greater than 48V to charge the function batteries.

Both battery packs must be charged together.

Disconnect the battery pack plug before removing the battery pack.

Electrocution/Burn Hazards



Connect the battery charger to a grounded, AC 3-wire electrical outlet only.

Inspect daily for damaged cords, cables and wires. Replace damaged items before operating.

Avoid electrical shock from contact with battery terminals. Remove all rings, watches and other jewelry.

Do not operate when generator is submerged in water.

Tip-over Hazard

Do not use batteries that weigh less than the original equipment. Batteries are used as counterweight and are critical to machine stability. Machines with standard batteries, each battery must weigh 48.5 kg. Machines with maintenance free batteries, each battery must weigh 56.7 kg. Each battery pack including batteries must weigh a minimum of 567 kg.

Lifting Hazard

Use a forklift to remove or install a battery pack.

⚠ Panel Cradle Safety

Read, understand and obey all warnings and instructions provided with the panel cradles.

Do not exceed the rated platform capacity. The combined weight of the cradles, panels, occupants, tools and any other equipment must not exceed rated capacity.

The panel cradle assembly weighs 13.6 kg.

The maximum capacity of the panel cradles is 113 kg.

The weight of the panel cradles and the load in the panel cradles may limit the maximum number of occupants in platform to one person.

Secure the cradles to the platform. Secure the panel(s) to the platform railing using the straps provided.

Do not operate unless you are adequately instructed and are aware of all hazards associated with lifting panels.

Do not cause a horizontal force or side load to machine by raising or lowering a fixed or overhanging load.

Maximum vertical height of panels: 1.2 m

Maximum wind speed: 6.7 m/sec

Maximum panel area: 3 m²

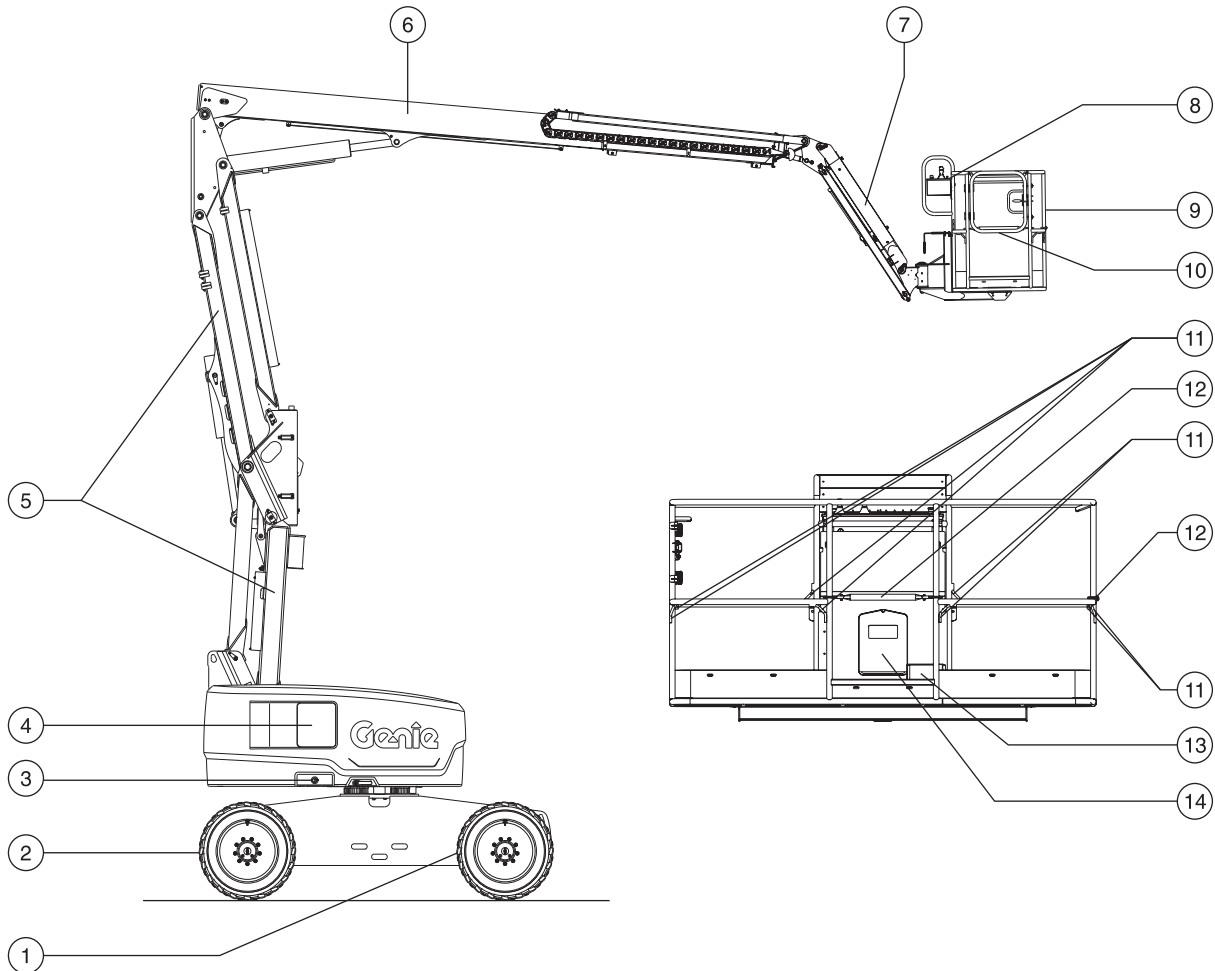


Work Area Safety

Lockout After Each Use

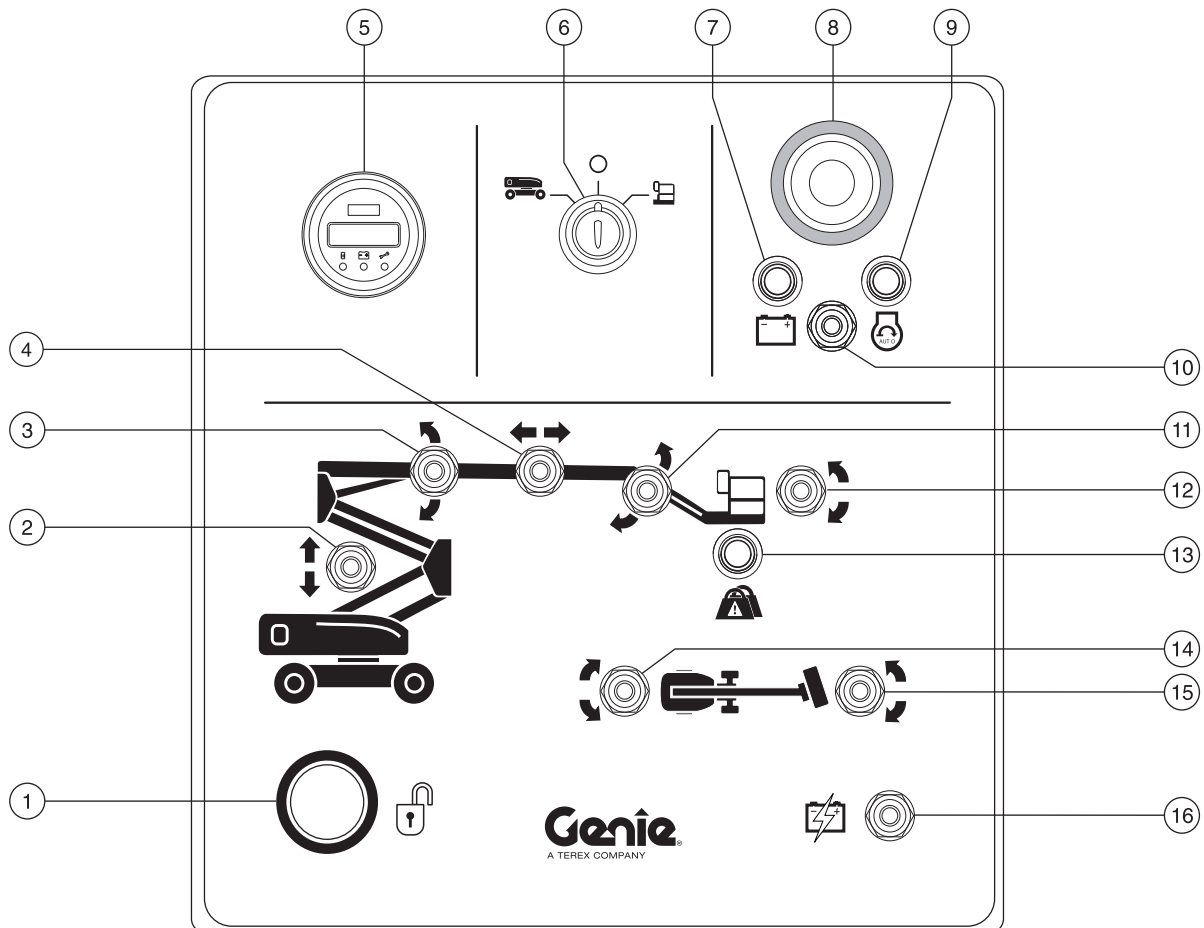
- 1 Select a safe parking location—firm level surface, clear of obstruction and traffic.
- 2 Retract and lower the boom to the stowed position.
- 3 Rotate the turntable so that the boom is between the non-steer wheels.
- 4 Turn the key switch to the off position and remove the key to secure from unauthorized use.

Legend



- | | | | |
|---|------------------|----|--------------------------|
| 1 | Non-steer tire | 8 | Platform controls |
| 2 | Steer tire | 9 | Platform |
| 3 | Power to charger | 10 | Swing gate |
| 4 | Ground controls | 11 | Lanyard anchorage points |
| 5 | Secondary boom | 12 | Sliding mid-rail |
| 6 | Primary boom | 13 | Foot switch |
| 7 | Jib boom | 14 | Manual storage container |

Controls



Ground Control Panel

- | | |
|--|--|
| <p>1 Function enable button</p> <p>Press and hold the function enable button to enable the functions on the ground control panel to operate.</p> <p>2 Secondary boom up/down switch</p> <p>Move the secondary boom up/down switch up and the secondary boom will raise. Move secondary boom up/down switch down and the secondary boom will lower.</p> | <p>3 Primary boom up/down switch</p> <p>Move the primary boom up/down switch up and the boom will raise. Move the primary boom up/down switch down and the boom will lower.</p> <p>4 Primary boom extend/retract switch</p> <p>Move the primary boom extend/retract switch to the right and the primary boom will extend. Move the boom extend/retract switch to the left and the primary boom will retract.</p> |
|--|--|



Controls

- 5 LCD display

At machine start up the LCD screen displays pitch and roll angles of the machine, the number of hours the machine has operated, the battery charge level and the alarm beeps 4 seconds. The screen also displays fault codes and other service information.
- 6 Key switch for ground selection/off/platform

Turn the key switch to the ground position and the ground controls will operate. Turn the key switch to the off position and the machine will be off. Turn the key switch to the platform position and the platform controls will operate.
- 7 DC mode light: FE models

Light on indicates the machine is in DC mode
- 8 Red Emergency Stop button

Push in the red Emergency Stop button to the off position to stop all functions and turn the engine off. Pull out the red Emergency Stop button to the on position to operate the machine.
- 9 Hybrid mode light: FE models

Light on indicates the machine is in Hybrid mode
- 10 Machine mode select switch: FE Models

Move the switch to the left to select DC mode

Move the switch to the right to select Hybrid mode
- 11 Jib boom up/down switch

Move the jib boom switch up and the jib boom will raise. Move the jib boom switch down and the jib boom will lower.
- 12 Platform level switch

Move the platform level switch up and the level of the platform will raise. Move the platform level switch down and the level of the platform will lower.
- 13 Platform overload indicator light

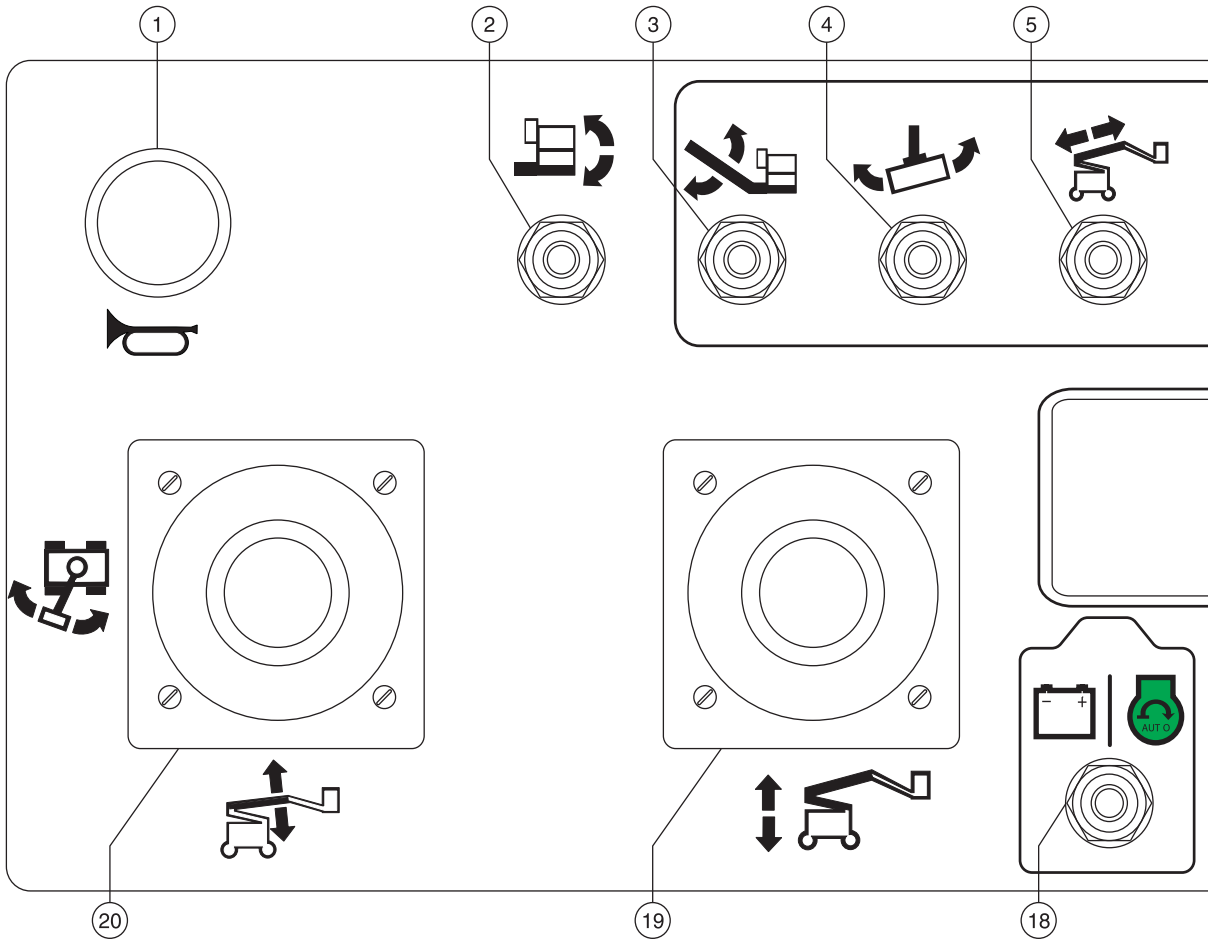
Light flashing indicates the platform is overloaded and no functions will operate. Remove weight until the light goes off.
- 14 Turntable rotate switch

Move the turntable rotate switch up and the turntable will rotate to the right. Move the turntable rotate switch down and the turntable will rotate to the left.
- 15 Platform rotate switch

Move the platform rotate switch down and the platform will rotate to the right. Move the platform rotate switch up and the platform will rotate to the left.
- 16 Emergency power switch

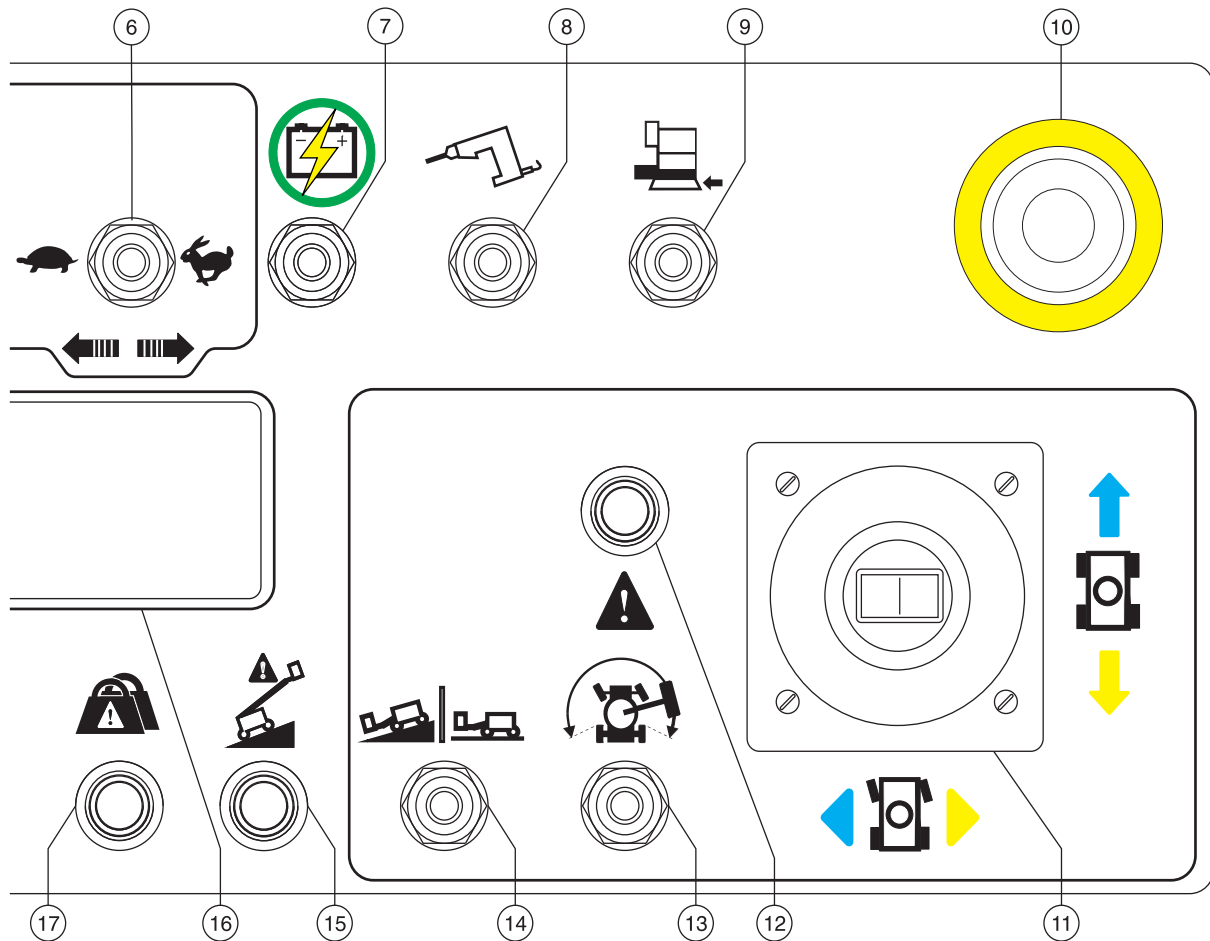
Use emergency power if the primary power source (engine) fails. Simultaneously hold the emergency power switch to either side and activate the desired function.

Controls



Platform Control Panel

Controls



Controls

Platform Control Panel

1 Horn button

Press this button and the horn will sound. Release the button and the horn will stop.

2 Platform level switch

Move the platform level switch up and the level of the platform will raise. Move the platform level switch down and the level of the platform will lower.



3 Jib boom up/down switch

Move the jib boom switch up and the jib boom will raise. Move the jib boom switch down and the jib boom will lower.



4 Platform rotate switch

Move the platform rotate switch to the left and the platform will rotate left. Move the platform rotate switch to the right and the platform will rotate right.



5 Primary boom extend/retract switch

Move the primary boom extend/retract switch up and the primary boom will retract. Move the boom extend/retract switch down and the primary boom will extend.



6 Function speed control switch

Move the switch to the left and the function speeds for jib up/down, platform rotate and primary boom extend/retract will decrease. Move the switch to the right and the function speeds for jib up/down, platform rotate and primary boom extend/retract will increase.

Note: Function speeds will increase or decrease by 5% each time the speed control switch is moved. The speed control switch can also be held in either direction to increase or decrease function speed.

7 Emergency power switch

Use emergency power if the primary power source fails. Simultaneously hold the emergency power switch up or down and activate the desired function.

8 Inverter switch (if equipped)

Move the inverter switch up to activate the inverter. Move the switch down to turn off the inverter.

Controls

9 Aircraft protection override switch (if equipped)

Move and hold the aircraft protection override switch to operate the machine when the platform bumper is against an object.

10 Red Emergency Stop button

Push in the red Emergency Stop button to the off position to stop all functions and turn the engine off. Pull out the red Emergency Stop button to the on position to operate the machine.

11 Dual axis proportional control handle for drive and steer functions

OR Proportional control handle for drive function and thumb rocker for steer function.

Move the control handle in the direction indicated by the blue arrow on the control panel and the machine will drive forward. Move the control handle in the direction indicated by the yellow arrow and the machine will drive backwards. Move the control handle in the direction indicated by the blue triangle and the machine will steer to the left. Move the control handle in the direction indicated by the yellow triangle and the machine will steer to the right.

OR

Move the control handle in the direction indicated by the blue arrow on the control panel and the machine will drive forward. Move the control handle in the direction indicated by the yellow arrow and the machine will drive backwards. Press the left side of the thumb rocker and the machine will steer to the left. Press the right side of the thumb rocker and the machine will steer to the right.

12 Drive enable indicator light

Light on indicates that the boom has moved just past either non-steer wheel and drive function has been interrupted.

13 Drive enable switch

To drive when the drive enable light is on, hold the drive enable switch to either side and slowly move the drive control handle off center. Be aware that the machine may move in the opposite direction that the drive and steer controls are moved.

14 Drive speed select switch

Machine on incline symbol: Low range for improved throttle control at reduced drive speed.

Machine on level surface symbol: High range operation for maximum drive speed.

15 Machine not level indicator light

The machine not level indicator light will come on when the tilt alarm sounds.

16 LCD readout screen



- a see operator's manual
- b contact maintenance
- c hazard
- d hybrid mode
- e DC mode

Controls

17 Platform overload indicator light

Light flashing indicates the platform is overloaded and no functions will operate. Remove weight until the light goes off.

18 Machine mode select switch: FE Models

Move the switch to the left to select DC mode

Move the switch to the right to select Hybrid mode

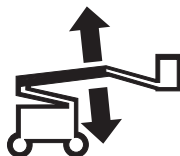
19 Proportional control handle for secondary boom up/down function

Move the control handle up and the secondary boom will raise. Move the control handle down and the secondary boom will lower.



20 Dual axis proportional control handle for primary boom up/down and turntable rotate left/right functions

Move the control handle up and the primary boom will raise. Move the control handle down and the primary boom will lower.



Move the control handle to the right and the turntable will rotate to the right. Move the control handle to the left and the turntable will rotate to the left.



Inspections



Do Not Operate Unless:

- ☑ You learn and practice the principles of safe machine operation contained in this operator's manual.
 - 1 Avoid hazardous situations.
 - 2 **Always perform a pre-operation inspection.**
- Know and understand the pre-operation inspection before going on to the next section.**
- 3 Always perform function tests prior to use.
 - 4 Inspect the workplace.
 - 5 Only use the machine as it was intended.

Pre-operation Inspection Fundamentals

It is the responsibility of the operator to perform a pre-operation inspection and routine maintenance.

The pre-operation inspection is a visual inspection performed by the operator prior to each work shift. The inspection is designed to discover if anything is apparently wrong with a machine before the operator performs the function tests.

The pre-operation inspection also serves to determine if routine maintenance procedures are required. Only routine maintenance items specified in this manual may be performed by the operator.

Refer to the list on the next page and check each of the items.

If damage or any unauthorized variation from factory delivered condition is discovered, the machine must be tagged and removed from service.

Repairs to the machine may only be made by a qualified service technician, according to the manufacturer's specifications. After repairs are completed, the operator must perform a pre-operation inspection again before going on to the function tests.

Scheduled maintenance inspections shall be performed by qualified service technicians, according to the manufacturer's specifications and the requirements listed in the responsibilities manual.



Inspections

Pre-operation Inspection

- Be sure that the operator's, safety and responsibilities manuals are complete, legible and in the storage container located in the platform.
- Be sure that all decals are legible and in place. See Inspections section.
- Check for hydraulic oil leaks and proper oil level. Add oil if needed. See Maintenance section.
- Check for battery fluid leaks and proper fluid level. Add distilled water if needed. See Maintenance section.
- FE models: Check for engine oil leaks and proper oil level. Add oil if needed. See Maintenance section.
- FE models: Check for engine coolant leaks and proper level of coolant. Add coolant if needed. See Maintenance section.

Check the following components or areas for damage, improperly installed or missing parts and unauthorized modifications:

- Electrical components, wiring and electrical cables
- Hydraulic hoses, fittings, cylinders and manifolds
- Fuel and hydraulic tanks
- Drive and turntable motors and drive hubs

- Wear pads
- Tires and wheels
- FE models: Engine and related components
- Limit switches, angle sensors and horn
- Alarms and beacons (if equipped)
- Nuts, bolts and other fasteners
- Platform entry mid-rail or gate
- Platform load cell (if equipped)
- Lanyard anchorage points

Check entire machine for:

- Cracks in welds or structural components
- Dents or damage to machine
- Excessive rust, corrosion or oxidation
- Be sure that all structural and other critical components are present and all associated fasteners and pins are in place and properly tightened.
- After you complete your inspection, be sure that all compartment covers are in place and latched.

Inspections



Do Not Operate Unless:

- ☑ You learn and practice the principles of safe machine operation contained in this operator's manual.
 - 1 Avoid hazardous situations.
 - 2 Always perform a pre-operation inspection.
 - 3 Always perform function tests prior to use.**

Know and understand the function tests before going on to the next section.

- 4 Inspect the workplace.
- 5 Only use the machine as it was intended.

Function Test Fundamentals

The function tests are designed to discover any malfunctions before the machine is put into service. The operator must follow the step-by-step instructions to test all machine functions.

A malfunctioning machine must never be used. If malfunctions are discovered, the machine must be tagged and removed from service. Repairs to the machine may only be made by a qualified service technician, according to the manufacturer's specifications.

After repairs are completed, the operator must perform a pre-operation inspection and function tests again before putting the machine into service.



Inspections

At the Ground Controls

- 1 Select a test area that is firm, level and free of obstruction.
- 2 Turn the key switch to ground control.
- 3 Pull out the red Emergency Stop button to the on position.
- ⊙ Result: The beacon (if equipped) should flash.
- 4 FE models: Start the engine. See Operating Instructions section.

Test Emergency Stop

- 5 Push in the red Emergency Stop button to the off position.
- ⊙ Result FE models: The engine will shut off after 2 to 3 seconds.
- 6 Press and hold the function enable button and activate each boom and platform function toggle switch.
- ⊙ Result: No functions should operate.
- 7 Pull out the red Emergency Stop button to the on position.

Test Machine Functions

- 8 Do not push and hold the function enable button. Attempt to activate each boom and platform function toggle switch.
- ⊙ Result: No boom and platform functions should operate.
- 9 Press and hold the function enable button and activate each boom and platform function toggle switch.
- ⊙ Result: All boom and platform functions should operate through a full cycle. The descent alarm should sound while the boom is lowering.

Test Emergency Controls

FE Models:

- 10 Turn the key switch to ground control.
- 11 Pull out the red Emergency Stop button to the on position.
- 12 Select hybrid mode.
- 13 Simultaneously hold the emergency power switch on and activate each boom function toggle switch.



Note: To conserve battery power, test each function through a partial cycle.

- ⊙ Result: All boom functions should operate.

DC Models:

- 14 Turn the key switch to ground control.
- 15 Pull out the red Emergency Stop button to the on position.
- 16 Simultaneously hold the emergency power switch on and activate each boom function toggle switch.



Note: To conserve battery power, test each function through a partial cycle.

- ⊙ Result: All boom functions should operate.



Inspections

Test the Tilt Sensor

FE Models:

- 17 Select a test area that is firm, level and free of obstruction.
- 18 Turn the key switch to ground control.
- 19 Pull out the red Emergency Stop button to the on position.
- 20 Select hybrid mode.
- 21 Start the engine. See Operating Instructions section.
- ⊙ Result: At machine start up the ground control meter displays pitch and roll angles of the machine and the alarm will beep 4 seconds.

DC Models:

- 22 Select a test area that is firm, level and free of obstruction.
- 23 Turn the key switch to ground control.
- 24 Pull out the red Emergency Stop button to the on position.
- ⊙ Result: At machine start up the ground control meter displays pitch and roll angles of the machine and the alarm will beep 4 seconds.

At the Platform Controls

- 25 Turn the key switch to platform control.
- 26 Pull out the red Emergency Stop button to the on position.
- 27 FE models: Start the engine. See Operating Instructions section.

Test Emergency Stop

- 28 Push in the platform red Emergency Stop button to the off position.
- ⊙ Result FE models: The engine should turn off.
- 29 Activate each function control handle, toggle switch or thumb rocker switch.
- ⊙ Result: No functions should operate.
- 30 Pull out the platform red Emergency Stop button to the on position.

Test the Horn

- 31 Press the horn button.
- ⊙ Result: The horn should sound.



Inspections

Test the Foot Switch

DC Models:

32 Do not press down the foot switch. Test each machine function.

⊙ Result: No functions should operate.

FE Models:

33 Push in the platform red Emergency Stop button to the off position.

34 Pull out the red Emergency Stop button to the on position and do not start the engine.

35 Do not press down the foot switch and attempt to start the engine by moving the machine mode select switch to hybrid mode.

⊙ Result: The engine should not start.

36 Move the machine mode select switch to hybrid mode.

37 Press and hold the foot switch.

⊙ Result: The engine should start.

38 Do not press down the foot switch and test each machine function.

⊙ Result: No functions should operate.

Test Machine Functions

39 Press down the foot switch.

40 Activate each machine function control handle or toggle switch.

⊙ Result: All boom and platform functions should operate through a full cycle.

Test the Steering

41 Press down the foot switch.

42 Press the thumb rocker switch on top of the drive control handle in the direction indicated by the blue triangle on the control panel OR slowly move the control handle in the direction indicated by the blue triangle.

⊙ Result: The steer wheels should turn in the direction that the blue triangles point on the drive chassis.

43 Press the thumb rocker switch in the direction indicated by the yellow triangle on the control panel OR slowly move the control handle in the direction indicated by the yellow triangle.

⊙ Result: The steer wheels should turn in the direction that the yellow triangles point on the drive chassis.



Inspections

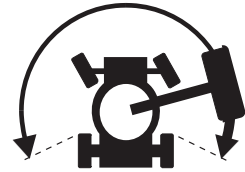
Test Drive and Braking

- 44 Press down the foot switch.
- 45 Slowly move the drive control handle in the direction indicated by the blue arrow on the control panel until the machine begins to move, then return the handle to the center position.
 - ⊙ Result: The machine should move in the direction that the blue arrow points on the drive chassis, then come to an abrupt stop.
- 46 Slowly move the control handle in the direction indicated by the yellow arrow on the control panel until the machine begins to move, then return the handle to the center position.
 - ⊙ Result: The machine should move in the direction that the yellow arrow points on the drive chassis, then come to an abrupt stop.

Note: The brakes must be able to hold the machine on any slope it is able to climb.

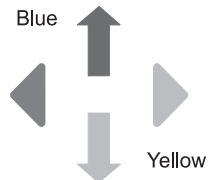
Test the Drive Enable System

- 47 Press down the foot switch and lower the boom to the stowed position.
- 48 Rotate the turntable until the primary boom moves past one of the non-steer wheels.
 - ⊙ Result: The drive enable indicator light should come on and remain on while the boom is anywhere in the range shown.
- 49 Move the drive control handle off center.
 - ⊙ Result: The drive function should not operate.
- 50 Move and hold the drive enable toggle switch to either side and slowly move the drive control handle off center.
 - ⊙ Result: The drive function should operate.



Note: When the drive enable system is in use, the machine may drive in the opposite direction that the drive and steer control handle is moved.

Use the color-coded direction arrows on the platform controls and the drive chassis to identify the direction of travel.





Inspections

Test Limited Drive Speed

- 51 Press down the foot switch.
- 52 Raise the primary boom approximately 61 cm.
- 53 Slowly move the drive control handle to the full drive position.
- ⊙ Result: The maximum achievable drive speed with the primary boom raised should not exceed 30 cm/s.
- 54 Lower the primary boom to the stowed position.
- 55 Extend the primary boom approximately 61 cm.
- 56 Slowly move the drive control handle to the full drive position.
- ⊙ Result: The maximum achievable drive speed with the primary boom extended should not exceed 30 cm/s.
- 57 Retract the primary boom to the stowed position.
- 58 Raise the secondary boom approximately 61 cm.
- 59 Slowly move the drive control handle to the full drive position.
- ⊙ Result: The maximum achievable drive speed with the secondary boom raised should not exceed 30 cm/s.
- 60 Lower the secondary boom to the stowed position.

If the drive speed with the primary or secondary boom raised or the primary boom extended exceeds 30 cm per second, immediately tag and remove the machine from service.

Test Drive Tilt Cutout

- 61 Press down the foot switch.
- 62 With the boom fully stowed, drive the machine onto a slope where the chassis pitch angle is greater than 2.5°.
- ⊙ Result: The machine should continue to drive.
- 63 Return to level ground and raise the primary boom to an out of stowed position (approximately 10° above horizontal).
- 64 Drive the machine onto a slope where the chassis pitch angle is greater than 2.5°.
- ⊙ Result: The machine should stop once the machine reaches 2.5° of chassis tilt and the alarm should sound at the platform controls.
- 65 Lower the primary boom to the stowed position or drive in the opposite direction.
- ⊙ Result: The machine should drive.
- 66 Return to level ground and extend the primary boom approximately 0.5 m.
- 67 Drive the machine onto a slope where the chassis pitch angle is greater than 2.5°.
- ⊙ Result: The machine should stop once the machine reaches 2.5° of chassis tilt and the alarm should sound at the platform controls.
- 68 Retract the primary boom to the stowed position or drive in the opposite direction.
- ⊙ Result: The machine should drive.



Inspections

- 69 Return to level ground and stow the boom.
- 70 With the boom fully stowed, drive the machine onto a slope where the chassis pitch angle is greater than 2.5°.
- ⊙ Result: The machine should continue to drive.
- 71 Return to level ground and raise the secondary boom to an out of stowed position (approximately 15° above horizontal).
- 72 Drive the machine onto a slope where the chassis pitch angle is greater than 2.5°.
- ⊙ Result: The machine should stop once the machine reaches 2.5° of chassis tilt and the alarm should sound at the platform controls.
- 73 Lower the secondary boom to the stowed position or drive in the opposite direction.
- ⊙ Result: The machine should drive.
- 74 With the boom fully stowed, drive the machine onto a slope where the chassis roll angle is greater than 4.5°.
- ⊙ Result: The machine should continue to drive.
- 75 Return to level ground and raise the primary boom to an out of stowed position (approximately 10° above horizontal).
- 76 Drive the machine onto a slope where the chassis roll angle is greater than 4.5°.
- ⊙ Result: The machine should stop once the machine reaches 4.5° of chassis tilt and the alarm should sound at the platform controls.
- 77 Lower the primary boom to the stowed position or drive in the opposite direction.
- ⊙ Result: The machine should drive.
- 78 Return to level ground and extend the primary boom approximately 0.5 m.
- 79 Drive the machine onto a slope where the chassis roll angle is greater than 4.5°.
- ⊙ Result: The machine should stop once the machine reaches 4.5° of chassis tilt and the alarm should sound at the platform controls.
- 80 Retract the primary boom to the stowed position or drive in the opposite direction.
- ⊙ Result: The machine should drive.
- 81 Return to level ground and stow the boom.
- 82 With the boom fully stowed, drive the machine onto a slope where the chassis roll angle is greater than 4.5°.
- ⊙ Result: The machine should continue to drive.
- 83 Return to level ground and raise the secondary boom to an out of stowed position (approximately 15° above horizontal).
- 84 Drive the machine onto a slope where the chassis roll angle is greater than 4.5°.
- ⊙ Result: The machine should stop once the machine reaches 4.5° of chassis tilt and the alarm should sound at the platform controls.
- 85 Lower the secondary boom to the stowed position or drive in the opposite direction.
- ⊙ Result: The machine should drive.



Inspections

Test the Oscillating Axle (if equipped)

- 86 Drive the right steer tire up onto a 15 cm block or curb.
- ⊙ Result: The three remaining tires should stay in firm contact with the ground.
- 87 Drive the left steer tire up onto a 15 cm block or curb.
- ⊙ Result: The three remaining tires should stay in firm contact with the ground.
- 88 Drive both steer tires up onto a 15 cm block or curb.
- ⊙ Result: The non-steer tires should stay in firm contact with the ground.

Test Emergency Controls

- 89 Push in the red Emergency Stop button to the off position.
- 90 Pull out the red Emergency Stop button to the on position.
- 91 Press down the foot switch.
- 92 Simultaneously move and hold the emergency power switch and activate each function control handle, toggle switch or thumb rocker switch. Note: To conserve battery power, test each function through a partial cycle.
- ⊙ Result: All boom and steer functions should operate. Drive functions should not operate with emergency power.

Test the Lift/Drive Select Function (if equipped)

- 93 Press down the foot switch.
- 94 Move the drive control handle off center and activate a boom function toggle switch.
- ⊙ Result: No boom functions should operate. The machine will move in the direction indicated on the control panel.

Repair any malfunctions before operating the machine.

Test Aircraft Protection Package (if equipped)

Note: Two people may be required to perform this test.

- 95 Extend the primary boom approximately 30 cm.
- 96 Move the yellow bumper at the bottom of the platform 10 cm in any direction.
- 97 Activate each function control handle or toggle switch.
- ⊙ Result: No boom and steer functions should operate.
- 98 Move and hold the aircraft protection override switch.



- 99 Activate each function control handle or toggle switch.
- ⊙ Result: All boom and steer functions should operate.

Inspections



Do Not Operate Unless:

- You learn and practice the principles of safe machine operation contained in this operator's manual.
 - 1 Avoid hazardous situations.
 - 2 Always perform a pre-operation inspection.
 - 3 Always perform function tests prior to use.
 - 4 Inspect the workplace.**

Know and understand the workplace inspection before going on to the next section.

 - 5 Only use the machine as it was intended.

Workplace Inspection Checklist

Be aware of and avoid the following hazardous situations:

- drop-offs or holes
- bumps, floor obstructions or debris
- sloped surfaces
- unstable or slippery surfaces
- overhead obstructions and high voltage conductors
- hazardous locations
- inadequate surface support to withstand all load forces imposed by the machine
- wind and weather conditions
- the presence of unauthorized personnel
- other possible unsafe conditions

Workplace Inspection Fundamentals

The workplace inspection helps the operator determine if the workplace is suitable for safe machine operation. It should be performed by the operator prior to moving the machine to the workplace.

It is the operator's responsibility to read and remember the workplace hazards, then watch for and avoid them while moving, setting up and operating the machine.



Inspections

Inspection for Decals with Symbols Z-60/37DC

Use the pictures on the next page to verify that all decals are legible and in place.

Below is a numerical list with quantities and descriptions.

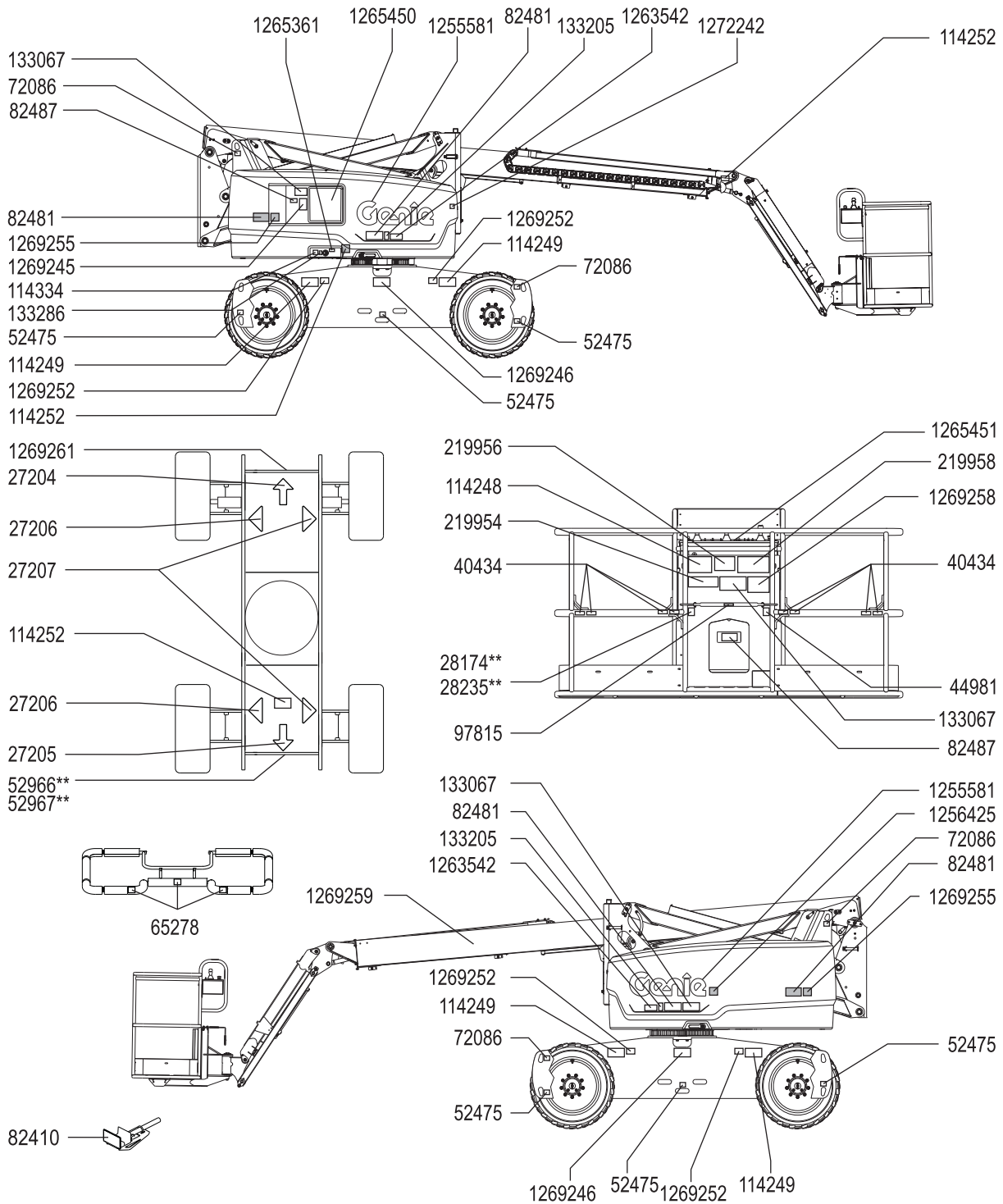
Part No.	Decal Description	Qty
27204	Arrow – Blue	1
27205	Arrow – Yellow	1
27206	Triangle – Blue	2
27207	Triangle – Yellow	2
28174	Label – Power to Platform, 230V	2
28235	Label – Power to Platform, 115V	2
40434	Label – Lanyard Anchorage Point	8
44981	Label – Air Line to Platform (option)	2
52475	Label – Transport Tie-down	6
52966	Cosmetic – 4 x 2	1
52967	Cosmetic – 4 x 4	1
65278	Caution – No Step	3
72086	Label – Lifting Point	4
82481	Label – Battery/Charger Safety	4
82487	Label – Read the Manual	2
82487	Label – Read the Manual (panel cradle)	2
97815	Label – Lower Mid-rail	1
114248	Label – Tip-over Hazard, Tilt Alarm	1
114249	Label – Tip-over Hazard, Tires	4
114251	Label – Explosion Hazard	2

Part No.	Decal Description	Qty
114252	Label – Tip-over Hazard, Limit Switches	3
114334	Label – Electrocutation Hazard, Plug	1
133067	Label – Electrocutation Hazard	3
133205	Label – Electrocutation/Burn Hazard	2
133286	Label – Power to Charger	1
219954	Label – Tip-over Hazard, CE	1
219956	Label – Platform Overload	1
219958	Label – Tip-over, Crush Hazard	1
1255581	Cosmetic – Genie	2
1256425	Label – Danger, Electrocutation Hazard	1
1263542	Label – Compartment Access	2
1265361	Label – Battery Charger Indicator	1
1265450	Ground Control Panel	1
1265451	Platform Control Panel	1
1269245	Label – Emergency Lowering	1
1269246	Label – Transport/Lifting	2
1269252	Label – Wheel Load, Z-60/37	4
1269255	Danger – Tip-over Hazard, Batteries	2
1269258	Label – Slope Rating, Z-60/37	1
1269259	Cosmetic – Genie Z-60/37DC	1
1269261	Cosmetic – Z-60/37DC	1
1272242	Label – Machine Registration/ Owner Transfer	1

■ Shading indicates decal is hidden from view, i.e. under covers

** These decals are model, option or configuration specific.

Inspections





Inspections

Inspection for Decals with Symbols Z-60/37FE

Use the pictures on the next page to verify that all decals are legible and in place.

Below is a numerical list with quantities and descriptions.

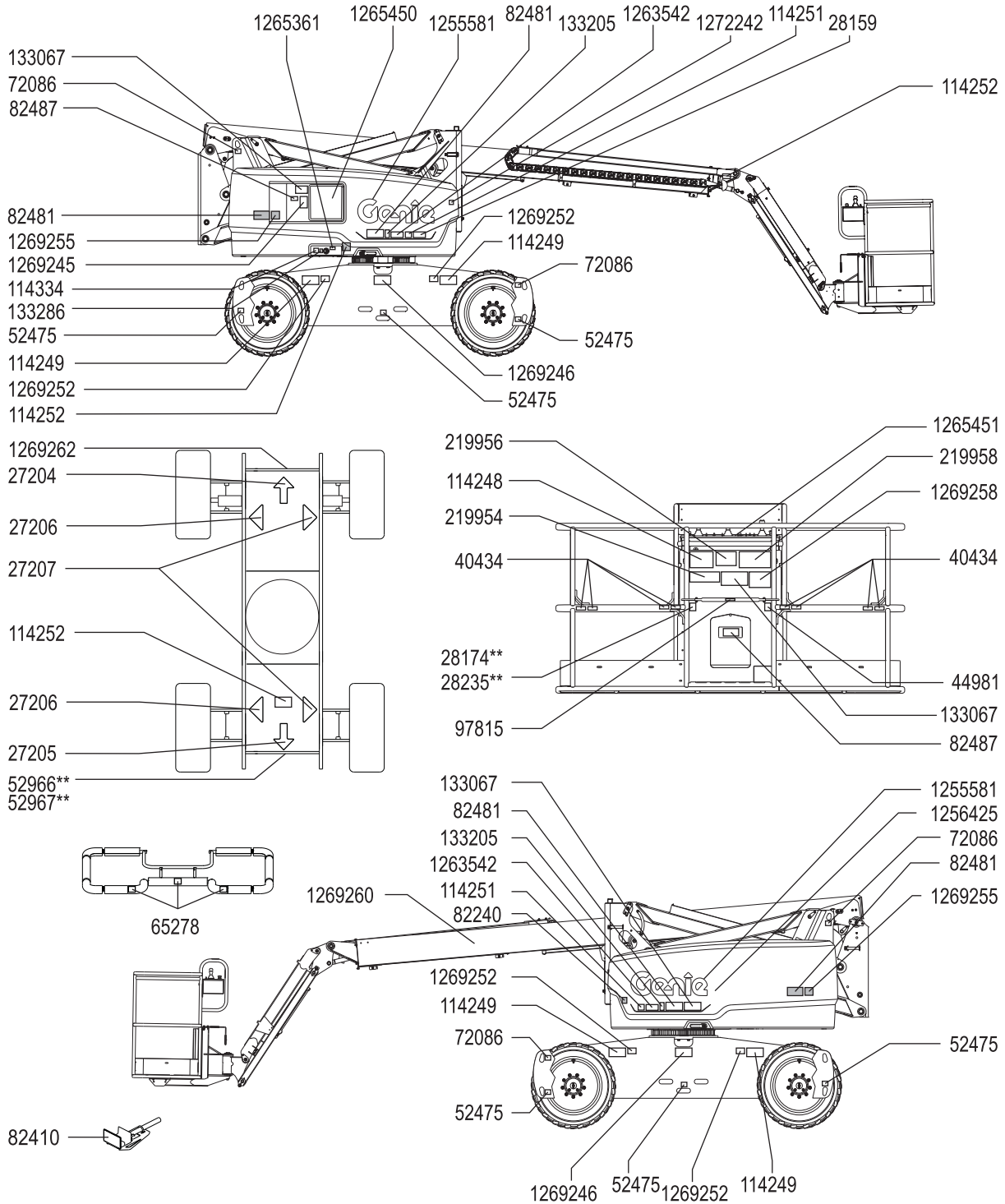
Part No.	Decal Description	Qty
27204	Arrow – Blue	1
27205	Arrow – Yellow	1
27206	Triangle – Blue	2
27207	Triangle – Yellow	2
28159	Label – Diesel	1
28174	Label – Power to Platform, 230V *	2
28235	Label – Power to Platform, 115V *	2
40434	Label – Lanyard Anchorage Point	8
44981	Label – Air Line to Platform (option)	2
52475	Label – Transport Tie-down	6
52966	Cosmetic – 4 x 2 **	1
52967	Cosmetic – 4 x 4 **	1
65278	Caution – No Step	3
72086	Label – Lifting Point	4
82240	Label – Noise Level	1
82481	Label – Battery/Charger Safety	4
82487	Label – Read the Manual	2
82487	Label – Read the Manual (panel cradle)	2
97815	Label – Lower Mid-rail	1
114248	Label – Tip-over Hazard, Tilt Alarm	1
114249	Label – Tip-over Hazard, Tires	4

Part No.	Decal Description	Qty
114251	Label – Explosion Hazard	2
114252	Label – Tip-over Hazard, Limit Switches	3
114334	Label – Electrocution Hazard, Plug	1
133067	Label – Electrocution Hazard	3
133205	Label – Electrocution/Burn Hazard	2
133286	Label – Power to Charger	1
219954	Label – Tip-over Hazard, CE	1
219956	Label – Platform Overload	1
219958	Label – Tip-over, Crush Hazard	1
1255581	Cosmetic – Genie	2
1256425	Label – Danger, Electrocution Hazard	1
1263542	Label – Compartment Access	2
1265361	Label – Battery Charger Indicator	1
1265450	Ground Control Panel	1
1265451	Platform Control Panel	1
1269245	Label – Emergency Lowering	1
1269246	Label – Transport/Lifting	2
1269252	Label – Wheel Load, Z-60/37	4
1269255	Danger – Tip-over Hazard, Batteries	2
1269258	Label – Slope Rating, Z-60/37	1
1269260	Cosmetic – Genie Z-60/37FE	1
1269262	Cosmetic – Z-60/37FE Hybrid	1
1272242	Label – Machine Registration/ Owner Transfer	1

■ Shading indicates decal is hidden from view, i.e. under covers

** These decals are model, option or configuration specific.

Inspections



Operating Instructions



Do Not Operate Unless:

- You learn and practice the principles of safe machine operation contained in this operator's manual.
 - 1 Avoid hazardous situations.
 - 2 Always perform a pre-operation inspection.
 - 3 Always perform function tests prior to use.
 - 4 Inspect the workplace.
 - 5 **Only use the machine as it was intended.**

Fundamentals

The Operating Instructions section provides instructions for each aspect of machine operation. It is the operator's responsibility to follow all the safety rules and instructions in the operator's, safety and responsibilities manuals.

Using the machine for anything other than lifting personnel, along with their tools and materials, to an aerial work site is unsafe and dangerous.

Only trained and authorized personnel should be permitted to operate a machine. If more than one operator is expected to use a machine at different times in the same work shift, they must all be qualified operators and are all expected to follow all safety rules and instructions in the operator's, safety and responsibilities manuals. That means every new operator should perform a pre-operation inspection, function tests, and a workplace inspection before using the machine.



Operating Instructions

Machine Operation

FE models can be operated with or without the engine running.

- 1 Turn the key switch to ground or platform control.
- 2 Be sure both battery packs are connected before operating the machine.
- 3 Be sure both ground and platform control red Emergency Stop buttons are pulled out to the on position.

Emergency Stop

Push in the red Emergency Stop button to the off position at the ground controls or the platform controls to stop all functions.

Repair any function that operates when either red Emergency Stop button is pushed in.

Selecting and operating the ground controls will override the platform red Emergency Stop button.

Emergency Power

Use emergency power if the primary power source fails.

- 1 Turn the key switch to ground or platform control.
- 2 Pull out the red Emergency Stop button to the on position.
- 3 Press down the foot switch when using the controls from the platform.
- 4 Simultaneously hold the emergency power switch to either side and activate the desired function.





Operating Instructions

FE Models: Starting the Engine

From the ground control panel:

- 1 Turn the key switch to ground control.
- 2 Be sure both ground and platform control red Emergency Stop buttons are pulled out to the on position.
- 3 Move the machine mode select switch to hybrid mode.
- 4 Push the function enable button to start the engine.



From the platform control panel:

- 5 Turn the key switch to platform control.
- 6 Be sure both ground and platform control red Emergency Stop buttons are pulled out to the on position.
- 7 Move the machine mode select switch to hybrid mode.
- 8 Press down the foot switch to start the engine.

If the engine fails to start after 15 seconds of cranking, determine the cause and repair any malfunction. Wait 60 seconds before trying to start again.

In cold conditions, -6°C and below, warm the engine for 5 minutes before operating to prevent hydraulic system damage.

In extreme cold conditions, -18°C and below, machines should be equipped with optional cold start kits. Attempting to start the engine when temperatures are below -18°C may require the use of a booster battery.

Operation from Ground

- 1 Turn the key switch to ground control.
- 2 Pull out the red Emergency Stop button to the on position.
- 3 FE Models: Select DC mode or Hybrid mode.
- 4 FE Models: Start the engine.

To Position Platform

- 1 Press and hold a function enable button.



- 2 Move the appropriate toggle switch according to the markings on the control panel.

Drive and steer functions are not available from the ground controls.



Operating Instructions

Operation from Platform

Note: When operating the machine from the platform, the following foot switch messages may appear on the platform control LCD screen.

- FOOT SWITCH POWER UP FAULT. RELEASE FOOT SWITCH AND REPOWER.
- FOOT SWITCH MUST BE APPLIED BEFORE FUNCTION IS ACTIVATED.
- FOOT SWITCH TIMED OUT. RELEASE FOOT SWITCH TO RESET.

If any of these messages appear, follow the message instructions to resume machine operation.

- 1 Turn the key switch to platform control.
- 2 Pull out the red Emergency Stop button to the on position.
- 3 FE Models: Select DC mode or Hybrid mode.
- 4 FE Models: Start the engine.

To Position Platform

- 1 Press down the foot switch.
- 2 Slowly move the appropriate function control handle or toggle switch or press the appropriate button according to the markings on the control panel.

Note: If the up functions become disabled and the following message is displayed on the platform control LCD screen, UP FUNCTIONS DISABLED DUE TO LOW VOLTAGE CHARGE BATTERIES, charge the batteries to enable full use of the up functions.

To Steer

- 1 Press down the foot switch.
- 2 Slowly move the drive control handle in the direction indicated by blue or yellow triangles OR press the thumb rocker switch located on top of the drive control handle.

Use the color-coded direction arrows on the platform controls and the drive chassis to identify the direction the wheels will turn.

To Drive

- 1 Press down the foot switch.
- 2 Increase speed: Slowly move the control handle off center.

Decrease speed: Slowly move the control handle toward center.

Stop: Return the control handle to center or release the function enable switch.

Use the color-coded direction arrows on the platform controls and the drive chassis to identify the direction the machine will travel.

Machine travel speed is restricted when the boom is raised.

Note: For 4WD machines, the overall drive speed will be reduced to 4 km/h when an off level condition > 11.3 degrees (> 20% grade) is measured by the level sensor. The following message will also be displayed on the platform control LCD screen, DRIVE SPEED REDUCED DUE TO SLOPE.

Note: In very hot environments, operators may notice slower drive and/or charging performance. This is the machine protecting itself from the effects of heat and is a functional design of the machine.

Operating Instructions

▲ Driving on a slope

Determine the uphill, downhill and side slope ratings for the machine and determine the slope grade.



Maximum slope rating, platform downhill (gradeability):
4WD: 45% (24°)



Maximum slope rating, platform uphill:
4WD: 45% (24°)



Maximum side slope rating:
25% (14°)

Note: Slope rating is subject to ground conditions with one person in the platform and adequate traction. Additional platform weight may reduce slope rating. The term gradeability applies to the counterweight downhill configuration only.

Be sure the boom is below horizontal and the platform is between the non-steer wheels.

To determine the slope grade:

Measure the slope with a digital inclinometer OR use the following procedure.

You will need:

- carpenter's level
- straight piece of wood, at least 1 m long
- tape measure

Lay the piece of wood on the slope.

At the downhill end, lay the level on the top edge of the piece of wood and lift the end until the piece of wood is level.

While holding the piece of wood level, measure the vertical distance from the bottom of the piece of wood to the ground.

Divide the tape measure distance (rise) by the length of the piece of wood (run) and multiply by 100.

Example:



Piece of wood = 3.6 m

Run = 3.6 m

Rise = 0.3 m

$0.3 \text{ m} \div 3.6 \text{ m} = 0.083 \times 100 = 8.3\% \text{ grade}$

If the slope exceeds the maximum uphill, downhill or side slope rating, then the machine must be winched or transported up or down the slope. See Transport and Lifting section.

Operating Instructions

Drive Enable

Light on indicates that the boom has moved just past either non-steer wheel and the drive function has been interrupted.



To drive, hold the drive enable switch to either side and slowly move the drive control handle off center.

Be aware that the machine may move in the opposite direction that the drive and steer controls are moved.

Always use the color-coded direction arrows on the platform controls and the drive chassis to identify the direction the machine will travel.

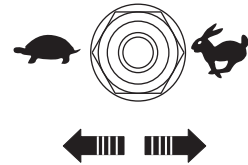
Drive Speed Select



- Machine on incline symbol: Low range for improved throttle control at reduced drive speed.
- Machine on level surface symbol: High range operation for maximum drive speed

Function Speed Control

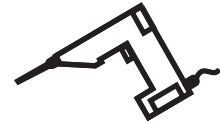
- 1 Move the switch to the left to decrease the function speeds for jib up/down, platform rotate and primary boom extend/retract.
- 2 Move the switch to the right to increase the function speeds for jib up/down, platform rotate and primary boom extend/retract.



Note: Function speeds will increase or decrease by 5% each time the function speed control switch is moved. The speed control switch can also be held in either direction to increase or decrease function speed.

AC Inverter (if equipped)

The inverter supplies power to the platform when external AC power is removed.



Plug the power to platform cable on the machine into the the inverter power cable.

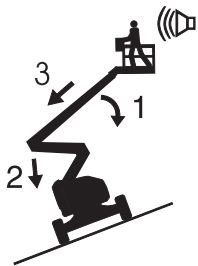
Move the inverter switch up to activate the inverter. Move the switch down to turn off the inverter. All boom functions will operate while the inverter is in use.

Operating Instructions

Machine Not Level Indicator Light

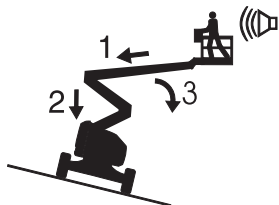


If the tilt alarm sounds when the platform is raised, the Machine Not Level indicator light will come on and the drive function in one or both directions will not operate. Identify the condition of the boom on the slope as shown below. Follow the steps to lower the boom before moving to a firm, level surface. Do not rotate the boom while lowering.



If the tilt alarm sounds with the platform uphill:

- 1 Lower the primary boom.
- 2 Lower the secondary boom.
- 3 Retract the primary boom.



If the tilt alarm sounds with the platform downhill:

- 1 Retract the primary boom.
- 2 Lower the secondary boom.
- 3 Lower the primary boom.

Platform Overload Indicator Light



Light flashing indicates the platform is overloaded and no functions will operate. The platform control LCD screen will also display the following message, PLATFORM IS OVERLOADED.

Remove weight from the platform until the light goes off and the message is no longer displayed.

Overload Recovery

If the ground controls LCD screen displays OVERLOAD RECOVERY, the emergency lowering system has been used while the platform was overloaded. For information on how to reset this message, please consult the appropriate Genie Service Manual.

Aircraft Protection Package (if equipped)



If the platform bumper comes into contact with an object, the machine will shut down and no functions will operate.

- 1 Start the engine.
- 2 Press down the foot switch.
- 3 Move and hold the aircraft protection override switch.
- 4 Move the appropriate function control handle or toggle switch to move the machine away from aircraft components.



Operating Instructions

After Each Use

- 1 Select a safe parking location—firm level surface, clear of obstruction and traffic.
- 2 Retract and lower the boom to the stowed position.
- 3 Rotate the turntable so that the boom is between the non-steer wheels.
- 4 Turn the key switch to the off position and remove the key to secure from unauthorized use.

Operating Instructions



Battery and Charger Instructions

Observe and Obey:

- ☑ Do not use an external charger or booster battery.
- ☑ Charge the battery in a well-ventilated area.
- ☑ Use proper AC input voltage for charging as indicated on the charger.
- ☑ Use only a Genie authorized battery and charger.

To Charge Battery

FE Models: Use the engine or an external power source to recharge the batteries.

DC Models: Use an external power source to recharge the batteries.

Be sure the batteries are connected before charging the batteries.

If machine is equipped with flooded lead acid batteries, check the battery acid level when the charging cycle is complete. Replenish with distilled water to the bottom of the fill tube. Do not overfill.

If the batteries are not charged weekly the following message will appear on the platform control LCD screen, FULL PLUG-IN CHARGE ADVISED WEEKLY FOR BEST BATTERY LIFE.

FE Models: Charging Batteries with Engine

Running the engine will automatically charge the batteries.

The engine will automatically shut off when the battery charge cycle reaches 85%.

After the charge cycle reaches 85% the platform control panel LCD screen will display the following message, HYBRID CHARGE COMPLETE. PLUG IN FOR 100% CHARGE.

Charging Batteries with External Power

- 1 Connect the battery charger to a grounded AC circuit.

The charger will automatically shut off when the charging cycle is complete.

If machine is equipped with flooded lead acid batteries, check the battery acid level when the charging cycle is complete. Replenish with distilled water to the bottom of the fill tube. Do not overfill.



Operating Instructions

Dry Battery Filling and Charging Instructions

This procedure applies to flooded lead acid batteries only.

- 1 Remove the battery vent caps and permanently remove the plastic seal from the battery vent openings.
- 2 Fill each cell with battery acid (electrolyte) until the level is sufficient to cover the plates.

Do not fill to maximum level until the battery charge cycle is complete. Overfilling can cause the battery acid to overflow during charging. Neutralize battery acid spills with baking soda and water.

- 3 Install the battery vent caps.
- 4 Charge the battery.
- 5 Check the battery acid level when the charging cycle is complete. Replenish with distilled water to the bottom of the fill tube. Do not overfill.

Panel Cradle Assembly

- 1 Apply the warning decal to the front of each panel cradle (if needed).
- 2 Install rubber bumper 1 in the panel cradle base. See the illustration.
- 3 Secure the bumper with 2 high profile lock nuts and 2 washers.

Panel Cradle Installation

- 1 Insert the hook piece through the slots in the panel cradle base.
- 2 Hook the panel cradle to the bottom platform tube in the desired location.
- 3 Install rubber bumper 2 through the panel cradle base and the hook piece. See the illustration.
- 4 Secure with 2 low profile lock nuts.
- 5 If the panel cradle is installed at a platform floor support tube, insert the U-bolt through the floor, around the tube and into the panel cradle base.
- 6 Secure the U-bolt with 2 nuts and 2 washers. Proceed to step 9.
- 7 If the panel cradle is not installed at a platform floor support tube, use the aluminum tube provided.
- 8 Place the tube between the panel cradle and the platform floor. Insert the U-bolt through the floor, around the tube and into the panel cradle base.
- 9 Repeat above for the second set of parts.

Operating Instructions

Installation of Padding

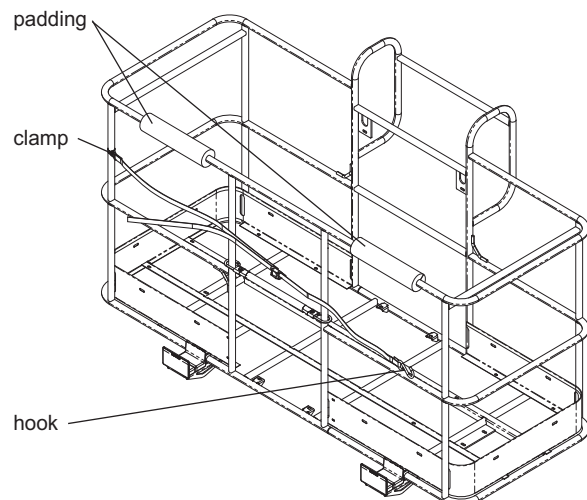
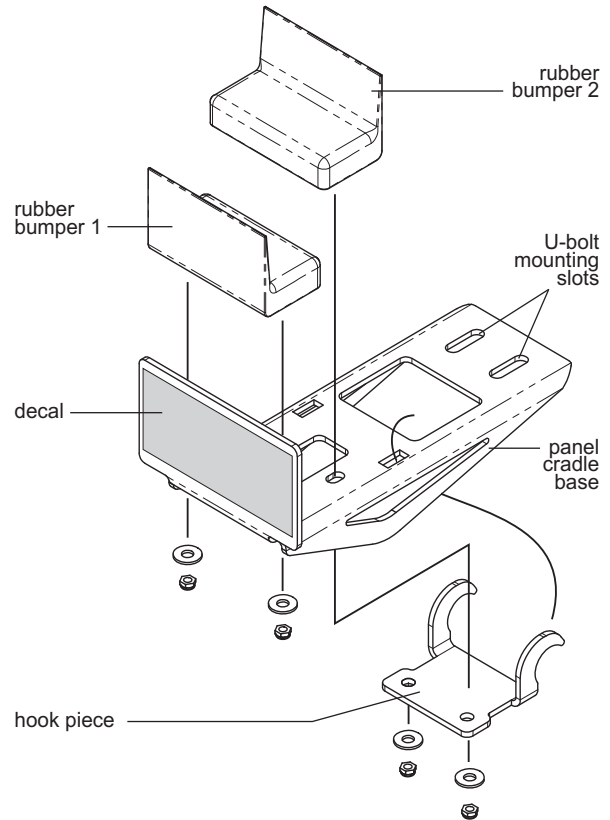
- 1 Install the 2 pieces of padding on the platform rails. Position the padding to protect the panels from contact with the platform rails.

Installation of Strap

- 1 Open the clamp and install it around a vertical platform rail tube.
- 2 Insert a bolt with a washer through one side of the clamp.
- 3 Install the strap assembly end plate onto the bolt.
- 4 Insert the bolt through the other side of the clamp.
- 5 Secure with a washer and a nut. Do not over-tighten. The strap assembly end plate should be able to slide on the platform rail.

Panel Cradle Operation

- 1 Secure both panel cradles to the platform.
- 2 Place the load so that it rests in both panel cradles.
- 3 Center the load on the platform.
- 4 Secure the load to the platform using the strap. Tighten the strap.



Transport and Lifting Instructions



Observe and Obey:

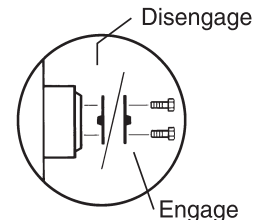
- ☑ Genie provides this securement information as a recommendation. Drivers are solely responsible for making sure machines are properly secured and the correct trailer is selected pursuant to US Department of Transportation regulations, other localized regulations, and their company policy.
- ☑ Genie customers needing to containerize any lift or Genie product should source a qualified freight forwarder with expertise in preparing, loading and securing construction and lifting equipment for international shipment.
- ☑ Only qualified aerial lift operators should move the machine on or off the truck.
- ☑ The transport vehicle must be parked on a level surface.
- ☑ The transport vehicle must be secured to prevent rolling while the machine is being loaded.
- ☑ Be sure the vehicle capacity, loading surfaces and chains or straps are sufficient to withstand the machine weight. Genie lifts are very heavy relative to their size. See the serial label for the machine weight. See the inspections section for the serial label location.

- ☑ Be sure the turntable is secured with the turntable rotation lock before transporting. Be sure to unlock the turntable for operation.
- ☑ Do not drive the machine on a slope that exceeds the uphill, downhill or side slope rating. See Driving on a Slope in the Operating Instructions section.
- ☑ If the slope of the transport vehicle bed exceeds the uphill or downhill maximum slope rating, the machine must be loaded and unloaded using a winch as described in the brake release operation. See the Specifications section for the slope ratings.

Free-wheel Configuration for Winching

Chock the wheels to prevent the machine from rolling.

4WD models: Release the wheel brakes by turning over all four drive hub disconnect caps.



Be sure the winch line is properly secured to the drive chassis tie points and the path is clear of all obstructions.

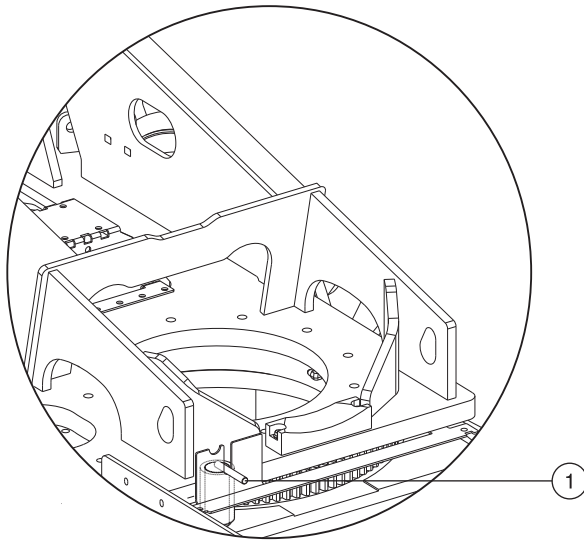
Reverse the procedures described to re-engage the brakes.

Note: Towing the Genie Z-60/37DC or the Z-60/37FE is not recommended. If the machine must be towed, do not exceed 3.2 km/h.

Transport and Lifting Instructions

Securing to Truck or Trailer for Transit

Always use the turntable rotation lock pin each time the machine is transported.



1 Turntable rotation lock pin

Turn the key switch to the off position and remove the key before transporting.

Inspect the entire machine for loose or unsecured items.

Securing the Chassis

Use chains of ample load capacity.

Use a minimum of 6 chains.

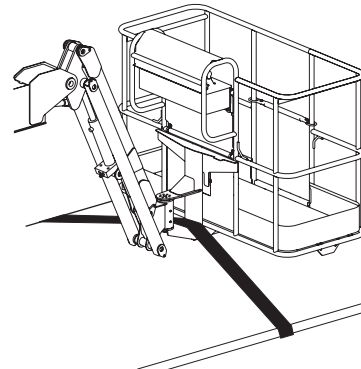
Adjust the rigging to prevent damage to the chains.

For diagram, refer to the Lifting Instructions.

Securing the Platform

Make sure the jib and platform are in the stowed position.

Secure the platform with a nylon strap placed through the lower platform support. Do not use excessive downward force when securing the boom section.



Transport and Lifting Instructions



Observe and Obey:

- ☑ Only qualified riggers should rig the machine.
- ☑ Only certified crane operators should lift the machine and only in accordance with the applicable crane regulations.
- ☑ Be sure the crane capacity, loading surfaces and straps or lines are sufficient to withstand the machine weight. See the serial label for the machine weight.

Lifting Instructions

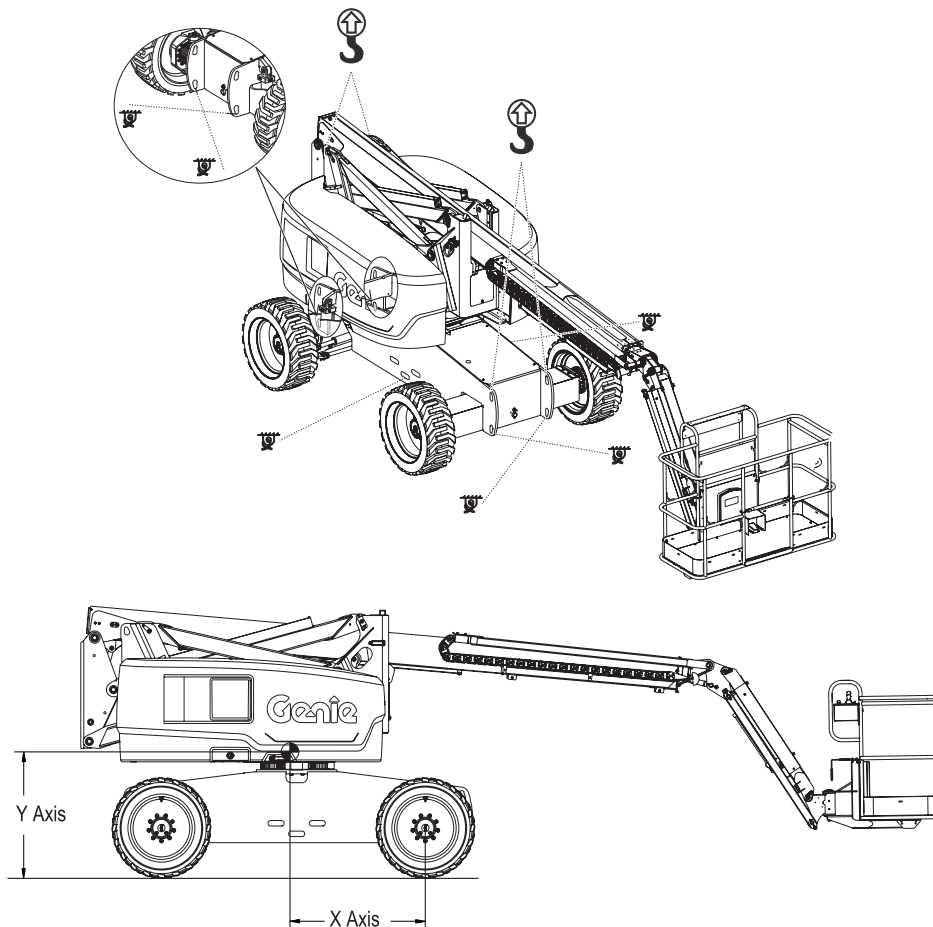
Fully lower and retract the boom. Fully lower the jib. Remove all loose items on the machine.

Determine the center of gravity of your machine using the table and the picture on this page.

Attach the rigging only to the designated lifting points on the machine.

Adjust the rigging to prevent damage to the machine and to keep the machine level.

Center of gravity	X Axis	Y Axis
Z-60/37DC and Z-60/37FE	1.16 m	1.27 m



Maintenance



Observe and Obey:

- ☑ Only routine maintenance items specified in this manual shall be performed by the operator.
- ☑ Scheduled maintenance inspections shall be completed by qualified service technicians, according to the manufacturer's specifications and the requirements specified in the responsibilities manual.
- ☑ Dispose of material in accordance with governmental regulations.
- ☑ Use only Genie approved replacement parts.

Maintenance Symbols Legend

The following symbols have been used in this manual to help communicate the intent of the instructions. When one or more of the symbols appear at the beginning of a maintenance procedure, it conveys the meaning below.



Indicates that tools will be required to perform this procedure.



Indicates that new parts will be required to perform this procedure.



Indicates that a cold engine is required before performing this procedure.

Check the Engine Oil Level



Maintaining the proper engine oil level is essential to good engine performance and service life. Operating the machine with an improper oil level can damage engine components.

Note: Check the oil level with the engine off.

- 1 Check the oil level dipstick. Add oil as needed.

Kubota D1105-E4B Engine

Oil type	SAE10W or 10W-30
----------	------------------

Maintenance

Diesel Fuel Requirements



Satisfactory engine performance is dependent on the use of a good quality fuel. The use of a good quality fuel will give the following result: long engine life and acceptable exhaust emissions levels.

Minimum diesel fuel requirements for each engine are listed below.

Kubota D1105-E4B Engine

Fuel Type	Low Sulfur Diesel (LSD) or Ultra Low Sulfur Diesel (ULSD)
-----------	---

Check the Hydraulic Oil Level



Maintaining the hydraulic oil at the proper level is essential to machine operation. Improper hydraulic oil levels can damage hydraulic components. Daily checks allow the inspector to identify changes in oil level that might indicate the presence of hydraulic system problems.

- 1 Be sure that the boom is in the stowed position.
- 2 Visually inspect the sight gauge located on the side of the hydraulic oil tank.
- ⊙ Result: The hydraulic oil level should be within the top 5 cm of the sight gauge.
- 3 Add oil as needed. Do not overfill.

Hydraulic oil specifications

Hydraulic oil type	Chevron Rando HD equivalent
--------------------	-----------------------------

Maintenance

Check the Engine Coolant Level – Liquid Cooled Models



Maintaining the engine coolant at the proper level is essential to engine service life. Improper coolant level will affect the engine's cooling capability and damage engine components. Daily checks will allow the inspector to identify changes in coolant level that might indicate cooling system problems.

- ▲ Burn hazard. Beware of hot engine parts and coolant. Contact with hot engine parts and/or coolant may cause severe burns.
 - ▲ Burn hazard. Do not remove the radiator cap if the engine has been running. Contact with pressurized coolant may cause severe burns. Allow engine to cool before removing the radiator cap.
- 1 Check the fluid level in the coolant recovery tank. Add fluid as needed.
- ⊙ Result: The fluid level should be at the FULL mark on the tank or visible in the sight gauge.

Check the Batteries



Proper battery condition is essential to good machine performance and operational safety. Improper fluid levels or damaged cables and connections can result in component damage and hazardous conditions.

- ▲ Electrocutation hazard. Contact with hot or live circuits may result in death or serious injury. Remove all rings, watches and other jewelry.
 - ▲ Bodily injury hazard. Batteries contain acid. Avoid spilling or contacting battery acid. Neutralize battery acid spills with baking soda and water.
- 1 Put on protective clothing and eye wear.
 - 2 Be sure that the battery cable connections are tight and free of corrosion.
 - 3 Be sure that the battery hold-down brackets are in place and secure.

Note: Adding terminal protectors and a corrosion preventative sealant will help eliminate the corrosion on the battery terminals and cables.



Maintenance

Scheduled Maintenance

Maintenance performed quarterly, annually and every two years must be completed by a person trained and qualified to perform maintenance on this machine according to the procedures found in the service manual for this machine.

Machines that have been out of service for more than three months must receive the quarterly inspection before they are put back into service.



Specifications

Model	Z-60/37DC
Height, working maximum	20 m
Height, platform maximum	18.16 m
Height, stowed maximum	2.54 m
Horizontal reach, maximum	11.15 m
Width	2.49 m
Length, stowed	8.15 m
Maximum load capacity	227 kg
Maximum wind speed	12.5 m/s
Wheelbase	2.49 m
Ground clearance, center	33 cm
Ground clearance, axle	31.5 cm
Turning radius (outside)	5.69 m
Turning radius (inside)	2.51 m
Turntable rotation (degrees)	355°
Turntable tailswing (riser up)	0.58 m
Turntable tailswing (riser down)	0.81 m
Platform dimensions, 6 foot (length x width)	183 x 76 cm
Platform dimensions, 8 foot (length x width)	244 x 91 cm
Platform leveling	self-leveling
Platform rotation	160°
Controls	24V DC proportional
AC outlet in platform	standard
Hydraulic pressure, maximum (boom functions)	206.8 bar
System voltage	48V
Tire size	355/55 D625, 14 ply
Weight	7530 kg

(Machine weights vary with option configurations. See serial label for specific machine weight.)

Maximum slope rating, stowed position, 4WD

Platform downhill	45% 24°
Platform uphill	45% 24°
Side slope	25% 14°

Note: Slope rating is subject to ground conditions with one person in the platform and adequate traction. Additional platform weight may reduce slope rating.

Drive speeds

Drive speed, stowed, 4WD	6.4 km/h 12.2 m/8.5 sec
Drive speed, raised or extended	1.0 km/h 12.2 m/40sec

Airborne noise emissions

Sound pressure level at ground workstation	<85 dBA
Sound pressure level at platform workstation	<74 dBA
Guaranteed sound power level	105 dBA

Total vibration value to which the hand/arm system is subjected does not exceed 2.5 m/s².

Highest root mean square value of weighted acceleration to which the whole body is subjected does not exceed 0.5 m/s².

Floor loading information

Tire load maximum	4,173 kg
Tire contact pressure	9.14 kg/cm ² 896 kPa
Occupied floor pressure	879 kg/m ² 8.62 kPa

Note: Floor loading information is approximate and does not incorporate different option configurations. It should be used only with adequate safety factors.

Continuous improvement of our products is a Genie policy. Product specifications are subject to change without notice or obligation.



Specifications

Model	Z-60/37FE
Height, working maximum	20 m
Height, platform maximum	18.16 m
Height, stowed maximum	2.54 m
Horizontal reach, maximum	11.15 m
Width	2.49 m
Length, stowed	8.15 m
Maximum load capacity	227 kg
Maximum wind speed	12.5 m/s
Wheelbase	2.49 m
Ground clearance, center	33 cm
Ground clearance, axle	31.5 cm
Turning radius (outside)	5.69 m
Turning radius (inside)	2.51 m
Turntable rotation (degrees)	355°
Turntable tailswing (riser up)	0.58 m
Turntable tailswing (riser down)	0.81 m
Platform dimensions, 6 foot (length x width)	183 x 76 cm
Platform dimensions, 8 foot (length x width)	244 x 91 cm
Platform leveling	self-leveling
Platform rotation	160°
Controls	24V DC proportional
AC outlet in platform	standard
Hydraulic pressure, maximum (boom functions)	206.8 bar
System voltage	48V
Tire size	355/55 D625, 14 ply
Weight	7756 kg
(Machine weights vary with option configurations. See serial label for specific machine weight.)	
Fuel tank capacity	75.7 liters

Maximum slope rating, stowed position, 4WD

Platform downhill	45%	24°
Platform uphill	45%	24°
Side slope	25%	14°

Note: Slope rating is subject to ground conditions with one person in the platform and adequate traction. Additional platform weight may reduce slope rating.

Drive speeds

Drive speed, stowed, 4WD	6.4 km/h 12.2 m/8.5 sec
Drive speed, raised or extended	1.0 km/h 12.2 m/40sec

Airborne noise emissions

Sound pressure level at ground workstation	<85 dBA
Sound pressure level at platform workstation	<74 dBA
Guaranteed sound power level	105 dBA

Total vibration value to which the hand/arm system is subjected does not exceed 2.5 m/s².

Highest root mean square value of weighted acceleration to which the whole body is subjected does not exceed 0.5 m/s².

Floor loading information

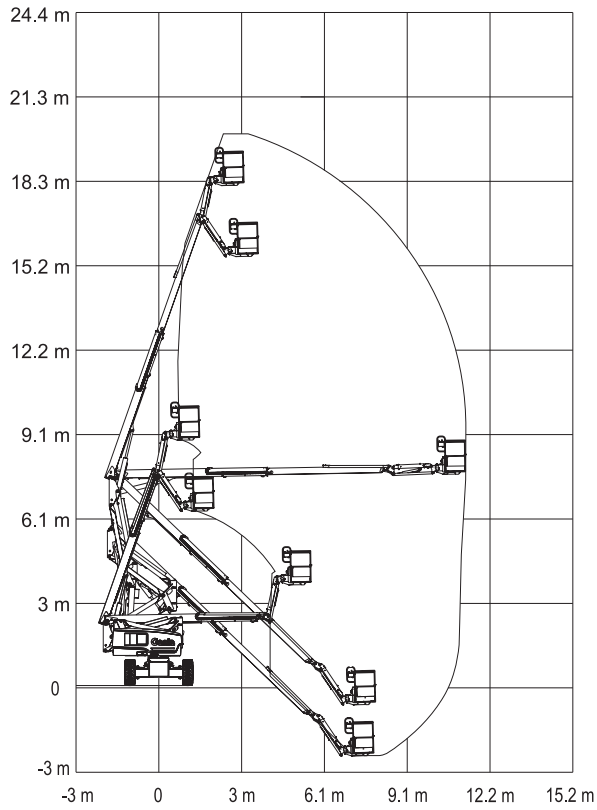
Tire load maximum	4,173 kg
Tire contact pressure	9.14 kg / cm ² 896 kPa
Occupied floor pressure	879 kg / m ² 8.62 kPa

Note: Floor loading information is approximate and does not incorporate different option configurations. It should be used only with adequate safety factors.

Continuous improvement of our products is a Genie policy. Product specifications are subject to change without notice or obligation.

Specifications

Z-60/37DC and Z-60/37FE Range of Motion Chart





Distributed By: