



647635 EN (12/12/2017)

MC 18-2 D K ST3A S1
MC 18-4 D K ST3A S1

OPERATOR'S MANUAL
(ORIGINAL INSTRUCTIONS)

**IMPORTANT**

Carefully read and understand this instruction manual before using the lift truck.

*It contains all information relating to operation, handling and lift truck equipment,
as well as important recommendations to be followed.*

*This document also contains precautions for use, as well as information on the servicing and routine maintenance required
to ensure the lift truck's continued safety of use and reliability.*

WHenever you see this symbol it means:



WARNING ! BE CAREFUL ! YOUR SAFETY OR THE SAFETY OF THE LIFT TRUCK IS AT RISK.

- This manual has been produced on the basis of the equipment list and the technical characteristics given at the time of its design.
- The level of equipment of the lift truck depends on the options chosen and the country of sale.
- According to the lift truck options and the date of sale, certain items of equipment/functions described herein may not be available.
- Descriptions and figures are non binding.
- MANITOU reserves the right to change its models and their equipment without being required to update this manual.
- The MANITOU network, consisting exclusively of qualified professionals, is at your disposal to answer all your questions.
- This manual is an integral part of the lift truck.
- It is to be kept in its storage space at all times for ease of reference.
- Hand this manual to the new owner if the lift truck is resold.



1st ISSUE	24/07/2017	
UPDATED	03/10/2017	2-1 – 2-32 2-25 -> Australian specification 3-1 – 3-38 + 4 - OPTIONAL ATTACHMENTS FOR USE WITH THE RANGE
	12/12/2017	2-28 ; 2-29 ; 2-32 3-12 – 3-36

Manitou BF S.A Limited liability company with a Board of Directors.
 Head office: 430, Rue de l'Aubinière - 44150 Ancenis - FRANCE
 Share capital: 39,548,949 euros
 857 802 508 RCS Nantes.
 Tel: +33 (0)2 40 09 10 11
 www.manitou.com

This manual is for information purposes only. Any reproduction, copy, representation, recording, transfer, distribution, or other, in part or in whole, in any format is prohibited. The plans, designs, views, commentaries and instructions, even the document organization that are found in this document, are the intellectual property of MANITOU BF. Any violation of the aforementioned may lead to civil and criminal prosecution. The logos as well as the visual identity of the company are the property of MANITOU BF and may not be used without express and formal authorization. All rights are reserved.

1 - OPERATING AND SAFETY INSTRUCTIONS

2 - DESCRIPTION

3 - MAINTENANCE

4 - OPTIONAL ATTACHMENTS FOR USE WITH THE RANGE





1 - OPERATING AND SAFETY INSTRUCTIONS





REDUCE
04
CONSUMPTION

ASSISTANCE | 23 SIMPLE TIPS

The Manitou Group wishes to assist you in reducing the consumption of the machines to help you reduce your carbon footprint.



Chose a machine with an appropriate power rating for your needs.



Switch off your engine after running at idle for more than 3 minutes.



Optimum engine efficiency is achieved at the maximum torque engine speed.



Preferably use a fan control and reversal system.



Favor "smart" electronically-managed transmissions.



Use the air-conditioning with windows and doors closed.



Preferably use LED headlights.



Adapt the type of tire to your environment.



Ensure that your tires are inflated to the correct pressure.



Check the parking brake adjustment.

Preferably use manufacturer-recommended attachments



Check the general condition of your trailer.



Adapt your maximum towable load.



Use the attachments that are suitable for your machine.



Check the hydraulic adjustment of your attachments.



Observe the maintenance periods.



Regularly clean the radiator, the air filter, etc.



Lubricate regularly.



Preferably buy through a manufacturer-approved dealer.



Favor OEM parts.



Study the manufacturers' maintenance contracts.



You can follow eco-driving courses.



Demand to know the consumption and emissions of the machines.



Calculate your consumption and emissions at reduce.manitou.com



TABLE OF CONTENTS

1 - OPERATING AND SAFETY INSTRUCTIONS

<i>INSTRUCTIONS TO THE COMPANY MANAGER</i>	6
THE SITE	6
THE OPERATOR	6
THE LIFT TRUCK	6
A - THE TRUCK'S SUITABILITY FOR THE JOB	6
B - ADAPTATION OF THE LIFT TRUCK TO STANDARD ENVIRONMENTAL CONDITIONS	6
C - MODIFICATION OF THE LIFT TRUCK	7
D - FRENCH ROAD TRAFFIC RULES.	7
THE INSTRUCTIONS	7
THE MAINTENANCE	7
<i>INSTRUCTIONS FOR THE OPERATOR</i>	8
PREAMBLE	8
GENERAL INSTRUCTIONS	8
A - OPERATOR'S MANUAL	8
B - AUTHORISATION FOR USE IN FRANCE	8
C - MAINTENANCE	8
D - MODIFICATION OF THE LIFT TRUCK.	8
E - LIFTING PEOPLE	8
OPERATING INSTRUCTIONS UNLADEN AND LADEN	9
A - BEFORE STARTING THE LIFT TRUCK	9
B - DRIVER'S OPERATING INSTRUCTIONS.	9
C - ENVIRONMENT.	9
D - VISIBILITY	10
E - STARTING THE LIFT TRUCK.	10
F - DRIVING THE LIFT TRUCK.	11
G - STOPPING THE LIFT TRUCK	12
H - DRIVING THE LIFT TRUCK ON THE PUBLIC HIGHWAY	12
INSTRUCTIONS FOR HANDLING A LOAD	13
A - CHOICE OF ATTACHMENTS	13
B - MASS OF LOAD AND CENTRE OF GRAVITY.	13
C - TRANSVERSE ATTITUDE OF THE LIFT TRUCK.	13
D - PICKING UP A LOAD ON THE GROUND	14
E - PICKING UP AND LAYING DOWN A HIGH LOAD ON TIRES	14
<i>MAINTENANCE INSTRUCTIONS OF THE LIFT TRUCK</i>	16
GENERAL INSTRUCTIONS	16
MAINTENANCE	16
LUBRICANT AND FUEL LEVELS	16
HYDRAULIC	16
ELECTRICITY	16
WELDING	17
WASHING THE LIFT TRUCK	17
TRANSPORTING THE LIFT TRUCK	17



<i>IF THE LIFT TRUCK IS NOT TO BE USED FOR A LONG TIME</i>	18
INTRODUCTION	18
PREPARING THE LIFT TRUCK	18
PROTECTING THE ENGINE	18
PROTECTING THE LIFT TRUCK	18
BRINGING THE LIFT TRUCK BACK INTO SERVICE	18
<i>LIFT TRUCK DISPOSAL</i>	19
RECYCLING OF MATERIALS	19
METALS	19
PLASTICS	19
RUBBER	19
GLASS	19
ENVIRONMENTAL PROTECTION	19
WORN OR DAMAGED PARTS	19
USED OIL	19
USED BATTERIES	19



INSTRUCTIONS TO THE COMPANY MANAGER

THE SITE

- Proper management of lift truck's area of travel will reduce the risk of accidents:
 - Ground not unnecessarily uneven or obstructed,
 - No excessive slopes,
 - Pedestrian traffic controlled, etc.

THE OPERATOR

- Only qualified, authorized personnel can use the lift truck. This authorization is given in writing by the appropriate person in the establishment with respect to the use of lift trucks and must be carried permanently by the operator.

⚠ IMPORTANT ⚠

On the basis of experience, there are a number of possible situations in which operating the lift truck is contra-indicated. Such foreseeable abnormal uses, the main ones being listed below, are strictly forbidden.

- *The foreseeable abnormal behavior resulting from ordinary neglect, but does not result from any wish to put the machinery to any improper use.*
- *The reflex reactions of a person in the event of a malfunction, incident, fault, etc. during operation of the lift truck.*
- *Behavior resulting from application of the "principle of least action" when performing a task.*

- For certain machines, the foreseeable behavior of such persons as: apprentices, teenagers, handicapped persons, trainees tempted to drive a lift truck, operator tempted to operate a truck to win a bet, in competition or for their own personal experience.

The person in charge of the equipment must take these criteria into account when assessing whether or not a person will make a suitable driver.

THE LIFT TRUCK

A - THE TRUCK'S SUITABILITY FOR THE JOB

- MANITOU has ensured that this lift truck is suitable for use under the standard operating conditions defined in this operator's manual, with a **STATIC test coefficient of 1.33** and a **DYNAMIC test coefficient of 1**, as specified in harmonized norm **EN 1726-1** for mast trucks.
- Before commissioning, the company manager must make sure that the lift truck is appropriate for the work to be done, and perform certain tests (in accordance with current legislation).

B - ADAPTATION OF THE LIFT TRUCK TO STANDARD ENVIRONMENTAL CONDITIONS

- In addition to series equipment mounted on your lift truck, many options are available, such as: road lighting, stop lights, revolving light, reverse lights, reverse buzzer alarm, front light, rear light, etc.
- The operator must take into account the operating conditions to define the lift truck's signaling and lighting equipment. Contact your dealer.
- Take into account climatic and atmospheric conditions of the site of utilization.
 - Protection against frost (see: 3 - MAINTENANCE: LUBRICANTS AND FUEL).
 - Adaptation of lubricants (ask your dealer for information).
 - Engine filtration (see: 3 - MAINTENANCE: FILTERS CARTRIDGES AND BELTS).

⚠ IMPORTANT ⚠

For operation under average climatic conditions, i.e.: between -15 °C and +35 °C, correct levels of lubricants in all the circuits are checked in production.

For operation under more severe climatic conditions, before starting up, it is necessary to drain all the circuits, then ensure correct levels of lubricants using lubricants properly suited to the relevant ambient temperatures.

It is the same for the cooling liquid.

- A lift truck operating in an area without fire extinguishing equipment must be equipped with an individual extinguisher. There are solutions, consult your dealer.

⚠ IMPORTANT ⚠

Your lift truck is designed for outdoor use under normal atmospheric conditions and indoor use in suitably aerated and ventilated premises.

It is prohibited to use the lift truck in areas where there is a risk of fire or which are potentially explosive (e.g. Refineries, fuel or gas depots, stores of inflammable products...).

For use in these areas, specific equipment is available (ask your dealer for information).

- Our trucks comply with Directive 2004/108/EC concerning electromagnetic compatibility (EMC), and with the corresponding harmonized standard EN 12895. Their proper operation is no longer guaranteed if they are used within areas in which the electromagnetic fields exceed the limit specified by that standard (10 V/m).
- Directive 2002/44/EC requires company managers to not expose their employees to excessive vibration doses. There is no recognized code of measurement for comparing the machines of different manufacturers. The actual doses received cannot therefore be measured under actual operating conditions at the user's premises.



- The following are some tips for minimizing these vibration doses:
 - Select the most suitable lift truck and attachment for the intended use.
 - Adapt the seat adjustment to the operator's weight (according to lift truck model) and maintain it in good condition, as well as the cab suspension. Inflate the tires in accordance with recommendations.
 - Ensure that the operators adapt their operating speed to suit the conditions on site.
 - As far as possible, arrange the site in such a way as to provide a flat running surface and remove obstacles and harmful potholes.

C - MODIFICATION OF THE LIFT TRUCK

- For your own safety and that of others, you must not change the structure and settings of the various components used in your lift truck by yourself (hydraulic pressure, limiter calibration, engine speed, addition of extra equipment, addition of counterweights, unapproved attachments, alarm systems, etc.). In this event, the manufacturer cannot be held liable.

D - FRENCH ROAD TRAFFIC RULES

- Only one certificate of conformity is issued. It must be kept in a safe place.
- The driving of non-approved lift trucks on the public highway is subject to the provisions of the highway code relating to special machines, defined in article R311-1 of the highway code, in category B of the Equipment Order of 20 November 1969 that determines the procedures applicable to special machines. The lift truck must be fitted with a license plate.

THE INSTRUCTIONS

- The operator's manual must always be in good condition and kept in the place provided on the lift truck and in the language used by the operator.
- The operator's manual and any plates or stickers which are no longer legible or are damaged, must be replaced immediately.

THE MAINTENANCE

- Maintenance or repairs other than those detailed in part: 3 - MAINTENANCE must be carried out by qualified personnel (consult your dealer) and under the necessary safety conditions to maintain the health of the operator and any third party.

⚠ IMPORTANT ⚠

Your lift truck must be inspected periodically to ensure that it remains in compliance.

The frequency of this inspection is defined by current legislation in the country in which the lift truck is used.

- Example for France "The manager in charge of the establishment using a lift truck must open and maintain a maintenance log for each machine (order of 2 March 2004) and undergo a general periodic inspection every 6 months (order of 1 March 2004)".



INSTRUCTIONS FOR THE OPERATOR

PREAMBLE

⚠ IMPORTANT ⚠

The risk of accident while using, servicing or repairing your lift truck can be restricted if you follow the safety instructions and safety measures detailed in these instructions.

Failure to respect the safety and operating instructions, or instructions for repairing or servicing your lift truck, may lead to serious, even fatal accident.

In order to reduce or avoid any danger with a MANITOU-approved attachment, follow the instructions of paragraph: 4 - ADAPTABLE ATTACHMENTS IN OPTION ON THE RANGE: INTRODUCTION.

- Only the operations and maneuvers described in this operator's manual must be performed. The manufacturer cannot predict all possible risky situations. Consequently, the safety instructions given in the operator's manual and on the lift truck itself are not exhaustive.
- At any time, as an operator, you must envisage, within reason, the possible risk to yourself, to others or to the lift truck itself when you use it.

GENERAL INSTRUCTIONS

A - OPERATOR'S MANUAL

- Read the operator's manual carefully.
- The operator's manual must always be in good condition and in the place provided for it on the lift truck.
- You must report any plates and stickers which are no longer legible or which are damaged.

B - AUTHORISATION FOR USE IN FRANCE

(or see current legislation in other countries)

- Only qualified, authorized personnel can use the lift truck. This authorization is given in writing by the appropriate person in the establishment with respect to the use of lift trucks and must be carried permanently by the operator.
- The operator is not competent to authorize the driving of the lift truck by another person.

C - MAINTENANCE

- The operator must immediately advise his superior if his lift truck is not in good working order or does not comply with the safety notice.
- The operator is prohibited from carrying out any repairs or adjustments himself, unless he has been trained for this purpose. He must keep the lift truck properly cleaned if this is among his responsibilities.
- The operator must carry out daily maintenance (see: 3 - MAINTENANCE: A - DAILY OR EVERY 10 HOURS SERVICE).
- The operator must ensure tires are adapted to the nature of the ground (see area of the contact surface of the tires in the chapter: 2 - DESCRIPTION: TYRES). There are optional solutions, consult your dealer.
 - SAND tires.
 - LAND tires.
 - Snow chains.

⚠ IMPORTANT ⚠

Do not use the lift truck if the tires are incorrectly inflated, damaged or excessively worn, because this could put your own safety or that of others at risk, or cause damage to the lift truck itself.

The fitting of foam inflated tires is prohibited and is not guaranteed by the manufacturer, excepting prior authorization.

D - MODIFICATION OF THE LIFT TRUCK

- For your own safety and that of others, you must not change the structure and settings of the various components used in your lift truck by yourself (hydraulic pressure, limiter calibration, engine speed, addition of extra equipment, addition of counterweights, unapproved attachments, alarm systems, etc.). In this event, the manufacturer cannot be held liable.

E - LIFTING PEOPLE

- The use of working equipment and load lifting attachments to lift people is:
 - Either forbidden
 - Or authorized exceptionally and under certain conditions (see current regulations in the country in which the lift truck is used).



OPERATING INSTRUCTIONS UNLADEN AND LADEN

A - BEFORE STARTING THE LIFT TRUCK

- Perform the daily service (see: 3 - MAINTENANCE: A - DAILY OR EVERY 10 HOURS SERVICE).
- Make sure that the driver's cab is clean, particularly the floor and floor mat. Check that no movable object may hinder the operation of the lift truck.
- Make sure the lights, indicators and windscreen wipers are working properly.
- Make sure the rear view mirrors are in good condition, clean and properly adjusted.
- Make sure the horn works.

B - DRIVER'S OPERATING INSTRUCTIONS

⚠ IMPORTANT ⚠

Under no circumstances must the seat be adjusted while the lift truck is moving.

- Whatever his experience, the operator is advised to familiarize himself with the position and operation of all the controls and instruments before operating the lift truck.
- Wear clothes suited for driving the lift truck, avoid loose clothes.
- Make sure you have the appropriate protective equipment for the task to be performed.
- Prolonged exposure to high noise levels may cause hearing problems. It is recommended to wear ear muffs to protect against excessive noise.
- Always face the lift truck when getting into and leaving the driving seat and use the handle(s) provided for this purpose. Do not jump out of the seat to get down.
- Always pay attention when using the lift truck. Do not listen to the radio or music using headphones or earphones.
- Never operate the lift truck when hands or feet are wet or soiled with greasy substances.
- For increased comfort, adjust the seat to your requirements and adopt the correct position in the driver's cab.
- The operator must always be in his normal position in the driver's cab. It is prohibited to have arms or legs, or generally any part of the body, protruding from the driver's cab of the lift truck.
- The safety belt must be worn and adjusted to the operator's size.
- The control units must never in any event be used for any other than their intended purposes (e.g. climbing onto or down from the lift truck, portmanteau, etc.).
- If the control components are fitted with a forced operation (lever lock) device, it is forbidden to leave the cab without first putting these controls in neutral.
- It is prohibited to carry passengers either on the lift truck or in the cab.

C - ENVIRONMENT

- Comply with site safety regulations.
- If you have to use the lift truck in a dark area or at night, make sure it is equipped with working lights.
- During handling operations, make sure that no one is in the way of the lift truck and its load.
- Do not allow anybody to come near the working area of the lift truck or pass beneath an elevated load.
- When using the lift trucks on a transverse slope, before lifting the mast, follow the instructions given in the paragraph: INSTRUCTIONS FOR HANDLING A LOAD: C - TRANSVERSE ATTITUDE OF THE LIFT TRUCK.
- Travelling on a longitudinal slope:
 - Drive and brake gently.

- Moving without load: Forks or attachment facing downhill.



- Moving with load: Forks or attachment facing uphill.



- Take into account the lift truck's dimensions and its load before trying to negotiate a narrow or low passageway.
- Never move onto a loading platform without having first checked:
 - That it is suitably positioned and made fast.
 - That the unit to which it is connected (wagon, lorry, etc.) will not shift.
 - That this platform is prescribed for the total weight of the lift truck to be loaded.
 - That this platform is prescribed for the size of the lift truck.
- Never move onto a foot bridge, floor or freight lift, without being certain that they are prescribed for the weight and size of the lift truck to be loaded and without having checked that they are in sound working order.
- Be careful in the area of loading bays, trenches, scaffolding, soft ground and manholes.
- Make sure the ground is stable and firm under the wheels before lifting the load.
- Make sure that the scaffolding, loading platform, pilings or ground is capable of bearing the load.



- Never stack loads on uneven ground, they may tip over.
- The load or the attachment must not be left just above a structure for long periods at a time because of the descending mast. In such a case, a constant watch must be kept and the height of the forks or the attachment readjusted if necessary.
- When working near aerial lines, ensure that the safety distance is sufficient between the working area of the lift truck and the aerial line.

⚠ IMPORTANT ⚠

You must consult your local electrical agency.

You could be electrocuted or seriously injured if you operate or park the lift truck too close to power cables.

In the event of high winds, do not carry out handling work that jeopardizes the stability of the lift truck and its load, particularly if the load catches the wind badly.

D - VISIBILITY

- The safety of people within the lift truck's working area, as well as that of the lift truck itself and the operator are depend on good operator visibility of the lift truck's immediate vicinity in all situations and at all times.
- This lift truck has been designed to allow good operator visibility (direct or indirect by means of rear-view mirrors) of the immediate vicinity of the lift truck while traveling with no load and with the mast in the transport position.
- Special precautions must be taken if the size of the load restricts visibility towards the front:
 - Moving in reverse,
 - Site layout,
 - Assisted by a person directing the maneuver (while standing outside the truck's area of travel), making sure to keep this person clearly in view at all times,
 - In any event, avoid reversing over long distances.
- If visibility of your road is inadequate, ask someone to assist by directing the maneuver (while standing outside the truck's area of travel), making sure to keep this person clearly in view at all times.
- Keep all components affecting visibility in a clean, properly adjusted state and in good working order (e.g. windscreens, windows, windscreen wipers, windscreen washers, driving and work lights, rear-view mirrors).

E - STARTING THE LIFT TRUCK

SAFETY INSTRUCTIONS

⚠ IMPORTANT ⚠

The lift truck must only be started up or maneuvered when the operator is sitting in the driver's cab, with his seat belt adjusted and fastened.

- Never try to start the lift truck by pushing or towing it. Such operation may cause severe damage to the transmission. If necessary, to tow the lift truck in an emergency, the transmission must be placed in the neutral position (see: 3 - MAINTENANCE: G - OCCASIONAL MAINTENANCE).
- If using an emergency battery for start-up, use a battery with the same characteristics and respect battery polarity when connecting it. Connect at first the positive terminals before the negative terminals.

⚠ IMPORTANT ⚠

Failure to respect polarity between batteries can cause serious damage to the electrical circuit.

The electrolyte in the battery may produce an explosive gas. Avoid flames and generation of sparks close to the batteries.

Never disconnect a battery while it is charging.

INSTRUCTIONS

- Check the closing and locking of the hood(s).
- For lift trucks operating on gas carburization, open the gas bottle.
- Ensure that the forward/reverse selector is set to neutral.
- Turn the ignition key to the position I to activate the electrical and pre-heating system.
- Check the fuel level on the indicator.
- Turn the ignition key fully, the engine should then start. Release the ignition key and let the engine run at idle.
- Do not engage the starter motor for more than 15 seconds and carry out the preheating between unsuccessful attempts.
- Make sure all the signal lights on the control instrument panel are off.
- Check all control instruments when the engine is warm and at regular intervals during use, so as to quickly detect any faults and to be able to correct them without any delay.
- If an instrument does not show the correct display, stop the engine and immediately carry out the necessary operations.



F - DRIVING THE LIFT TRUCK

SAFETY INSTRUCTIONS

⚠ IMPORTANT ⚠

Operators' attention is drawn to the risks involved in using the lift truck, in particular:

- Risk of losing control.

- Risk of losing lateral and frontal stability of the lift truck.

The operator must remain in control of the lift truck.

In the event of the lift truck overturning, do not try to leave the cabin during the incident.

YOUR BEST PROTECTION IS TO STAY FASTENED IN THE CABIN.

- Observe the company's traffic regulations or, by default, the public highway code.
- Do not carry out operations which exceed the capacities of your lift truck or attachments.
- Always drive the lift truck with the forks or attachment to the transport position, i.e. at 300mm from the ground and the carriage sloping backwards.
- Only carry loads which are balanced and properly anchored to avoid any risk of a load falling off.
- Ensure that palletes, cases, etc., are in good order and suitable for the load to be lifted.
- Familiarize yourself with the lift truck on the terrain where it will be used.
- Ensure that the service brakes are working properly.
- The loaded lift truck must not travel at speeds in excess of 12km/h.
- Drive smoothly at an appropriate speed for the operating conditions (land configuration, load on the lift truck).
- Do not use the hydraulic mast controls when the lift truck is moving.
- Do not maneuver the lift truck with the mast in the raised position unless under exceptional circumstances and then with extreme caution, at very low speed and using gentle braking. Ensure that visibility is adequate.
- Take bends slowly.
- In all circumstances make sure you are in control of your speed.
- On damp, slippery or uneven terrain, drive slowly.
- Brake gently, never abruptly.
- Only use the lift truck's forward/reverse selector from a stationary position and never do so abruptly.
- Do not drive with your foot on the brake pedal.
- Always remember that hydrostatic type steering is extremely sensitive to movement of the steering wheel, so turn it gently and not jerkily.
- Never leave the I.C. engine on when the lift truck is unattended.
- Do not leave the cab when the lift truck has a raised load.
- Look where you are going and always make sure you have good visibility along the route.
- Use the rear-view mirrors frequently.
- Drive round obstacles.
- Never drive on the edge of a ditch or steep slope.
- It is dangerous to use two lift trucks simultaneously to handle heavy or voluminous loads, since this operation requires particular precautions to be taken. It must only be used exceptionally and after risk analysis.
- The ignition switch has an emergency stop mechanism in case of an operating anomaly occurring in the case of lift trucks not fitted with a punch-operated cut-out.

INSTRUCTIONS

- Always drive the lift truck with the forks or attachment to the transport position, i.e. at 300mm from the ground and the carriage sloping backwards.
- For lift trucks with gearboxes, select the chosen gear (see: 2 - DESCRIPTION: INSTRUMENTS AND CONTROLS).
- Release the hand brake.
- Shift the forward/reverse selector to the selected direction of travel and accelerate gradually until the lift truck moves off.



G - STOPPING THE LIFT TRUCK

SAFETY INSTRUCTIONS

- Never leave the ignition key in the lift truck during the operator's absence.
- When the lift truck is stationary, or if the operator has to leave his cab (even for a moment), place the forks or attachment on the ground, apply the parking brake and place the forward/reverse selector in neutral.
- Make sure that the lift truck is not stopped in any position that will interfere with the traffic flow and at less than one meter from the track of a railway.
- In the event of prolonged parking on a site, protect the lift truck from bad weather, particularly from frost (check the level of antifreeze), close and lock all the lift truck accesses (doors, windows, cowl, etc.).

INSTRUCTIONS

- Park the lift truck on flat ground or on an incline lower than 15%.
- Set the forward/reverse selector to neutral.
- Engage the parking brake.
- For lift trucks with gearboxes, place the gear lever in neutral.
- Lower the forks or attachment to rest on the ground.
- When using an attachment with a grab or jaws, or a bucket with hydraulic opening, close the attachment fully.
- Before stopping the lift truck after a long working period, leave the I.C. engine idling for a few moments, to allow the coolant liquid and oil to lower the temperature of the I.C. engine and transmission. Do not forget this precaution, in the event of frequent stops or warm stalling of the I.C. engine, or else the temperature of certain parts will rise significantly due to the stopping of the cooling system, with the risk of badly damaging such parts.
- Stop the engine with the ignition switch.
- Remove the ignition key.
- Lock all the accesses to the lift truck (doors, windows, cowl...).
- For lift trucks operating on gas carburization, shut the LPG bottle. For a long lasting stop, let the engine stop naturally by shutting the LPG bottle before switching off the ignition, so as to eliminate all the fuel in the feed tube.

H - DRIVING THE LIFT TRUCK ON THE PUBLIC HIGHWAY

FRENCH ROAD TRAFFIC RULES

- The driving of non-approved lift trucks on the public highway is subject to the provisions of the highway code relating to special machines, defined in article R311-1 of the highway code, in category B of the Equipment Order of 20 November 1969 that determines the procedures applicable to special machines. The lift truck must be fitted with a license plate.

SAFETY INSTRUCTIONS

- Operators driving on the public highway must comply with current highway code legislation.
- The lift truck must comply with current road legislation. If necessary, there are optional solutions. Contact your dealer.

INSTRUCTIONS

- Make sure the revolving light is in place, switch it on and verify its operation.
- Make sure the lights, indicators and windscreen wipers are working properly.
- Switch off the working headlights if the lift truck is fitted with them.
- Place the attachment 300mm from the ground.

⚠ IMPORTANT ⚠

Never move in neutral (forward/reverse selector or gear lever in neutral or transmission cut-off button pressed) to preserve the lift truck engine brake. Failure to respect this instruction on a slope will lead to excessive speed which may make the lift truck uncontrollable (steering, brakes) and cause serious mechanical damage.

DRIVING THE LIFT TRUCK WITH A FRONT-MOUNTED ATTACHMENT

- You must comply with current regulations in your country, covering the possibility of driving on the public highway with a front-mounted attachment on your lift truck.
- If road legislation in your country authorizes circulation with a front-mounted attachment, you must at least:
 - Protect and report any sharp and/or dangerous edges on the attachment (see: 4 - ADAPTABLE ATTACHMENTS IN OPTION ON THE RANGE: ATTACHMENT SHIELDS).
 - The attachment must not be loaded.
 - Make sure that the attachment does not mask the lighting range of the forward lights.
 - Make sure that current legislation in your country does not require other obligations.

For lift trucks equipped with a towing system

OPERATING THE LIFT TRUCK WITH A TRAILER

- For using a trailer, observe the regulations in force in your country (maximum travel speed, braking, maximum weight of trailer, etc.).
- Do not forget to connect the trailer's electrical equipment to that of the lift truck.
- The trailer's braking system must comply with current legislation.
- If pulling a trailer with assisted braking, the tractor lift truck must be equipped with a trailer braking mechanism. In this case, do not forget to connect the trailer braking equipment to the lift truck.
- The vertical force on the towing hook must not exceed the maximum authorized by the manufacturer (consult the manufacturer's plate on your lift truck).
- The authorized gross vehicle weight must not exceed the maximum weight authorized by the manufacturer (consult the manufacturer's plate on your lift truck).

IF NECESSARY, CONSULT YOUR DEALER.

INSTRUCTIONS FOR HANDLING A LOAD

A - CHOICE OF ATTACHMENTS

- Only attachments approved by MANITOU can be used on its lift trucks.
- Make sure the attachment is appropriate for the work to be done (see: 4 - ADAPTABLE ATTACHMENTS IN OPTION ON THE RANGE).
- Make sure the attachment is correctly installed and locked onto the lift truck carriage.
- Make sure that your lift truck attachments work properly.
- Comply with the load chart limits for the lift truck for the attachment used.
- Do not exceed the rated capacity of the attachment.
- Never lift a load in a sling without the attachment provided for the purpose. There are optional solutions; contact your dealer.

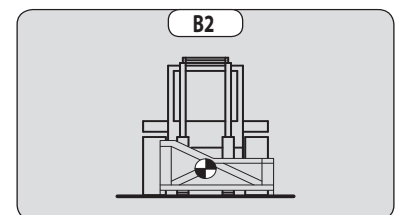
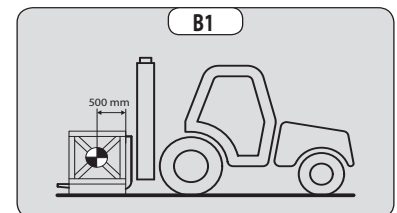
B - MASS OF LOAD AND CENTRE OF GRAVITY

- Before taking up a load, you must know its mass and its center of gravity.
- The load chart for your lift truck is valid for a load in which the longitudinal position of the center of gravity is 500mm or 600mm from the base of the forks (according to the model of lift truck) (fig. B1). For a higher center of gravity, contact your dealer.
- For irregular loads, determine the transverse center of gravity before any movement (fig. B2) and set it in the longitudinal axis of the lift truck.

⚠ IMPORTANT ⚠

It is forbidden to move a load heavier than the effective capacity defined on the lift truck load chart.

For loads with a moving center of gravity (e.g. liquids), take account of the variations in the center of gravity in order to determine the load to be handled and be vigilant and take extra care to limit these variations as far as possible.



C - TRANSVERSE ATTITUDE OF THE LIFT TRUCK.

The transverse attitude is the transverse slope of the chassis with respect to the horizontal.

Raising the mast reduces the lift truck's lateral stability. The transverse attitude must be set with the mast in down position as follows:

- Position the lift truck so that the bubble in the level is between the two lines (see: 2 - DESCRIPTION: INSTRUMENTS AND CONTROLS).



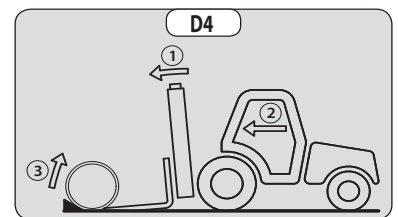
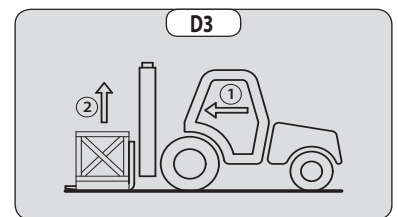
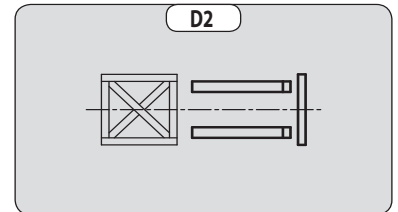
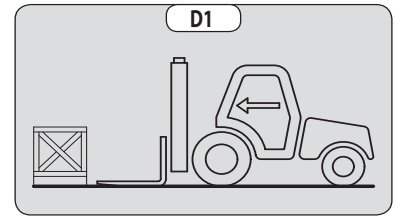
D - PICKING UP A LOAD ON THE GROUND

- Approach the lift truck perpendicular to the load, with the forks in a horizontal position (fig. D1).
- Adjust the spread and centering of the forks relative to the load to ensure its stability (fig. D2) (optional solutions exist, consult your dealer).
- Never lift a load with a single fork.

⚠ IMPORTANT ⚠

Beware of the risks of trapping or crushing limbs when manually adjusting the forks.

- Move the lift truck forward slowly (1) and bring the forks to stop in front of the load (fig. D3), if necessary, slightly lift the mast (2) while taking up the load.
- Bring the load into the transport position.
- Tilt the load far enough backwards to ensure stability (loss of load on braking or going downhill).



FOR A NON-PALLETISED LOAD

- Tilt the carriage (1) forwards and move the lift truck slowly forwards (2), to insert the fork under the load (fig. D4) (block the load if necessary).
- Continue to move the lift truck forwards (2) tilting the carriage (3) (fig. D4) backwards to position the load on the forks and check the load's longitudinal and lateral stability.

E - PICKING UP AND LAYING DOWN A HIGH LOAD ON TIRES

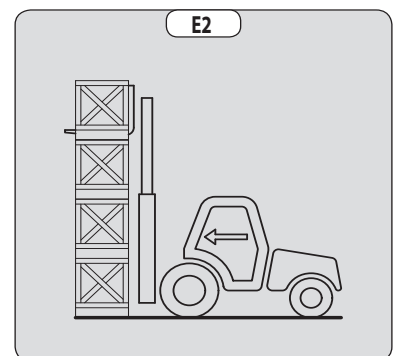
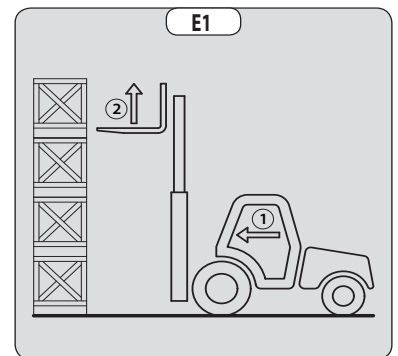
⚠ IMPORTANT ⚠

You must not raise the mast if you have not checked the transverse attitude of the lift truck (see: INSTRUCTIONS FOR HANDLING A LOAD: C - TRANSVERSE ATTITUDE OF THE LIFT TRUCK).

REMINDER: Make sure that the following operations can be performed with good visibility (see: OPERATIONS INSTRUCTIONS UNLADEN AND LADEN: D - VISIBILITY).

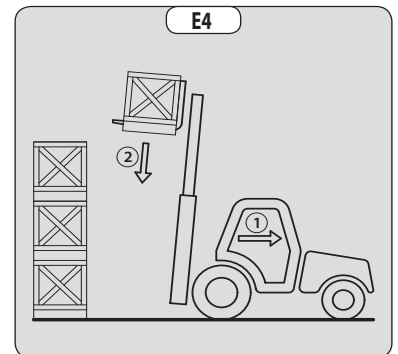
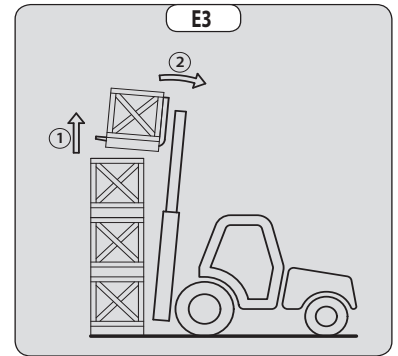
PICKING UP A HIGH LOAD ON TIRES

- Ensure that the forks will easily pass under the load.
- Keeping the mast vertical (1), advance the lift truck and raise the forks to level with the load (2) (fig. E1).
- Maneuver carefully and gently to bring the forks to the stop in front of the load (fig. E2). Set the handbrake and place the forward/reverse selector to neutral.



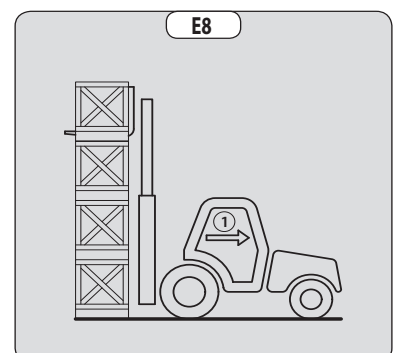
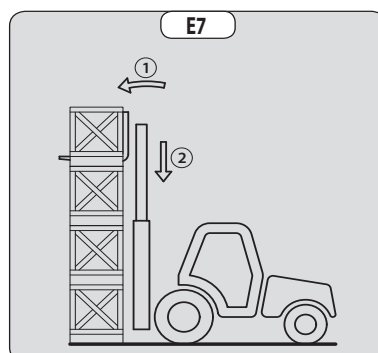
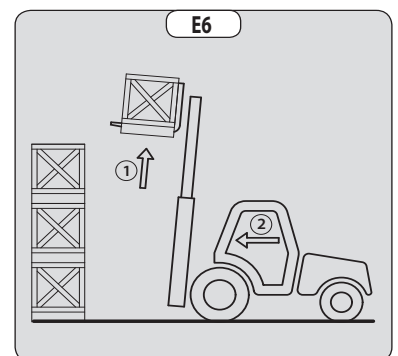
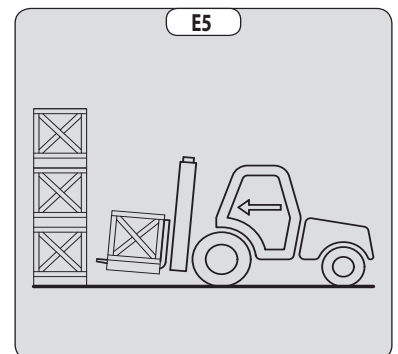


- Slightly lift the load (1) and incline the carriage (2) backwards to stabilize the load (fig. E3).
- Tilt the load sufficiently backwards to ensure its stability.
- Reverse the lift truck (1) very carefully and gently to free the load. Lower the mast (2) to bring the load into transport position (fig. E4).



LAYING A HIGH LOAD ON TYRES

- Approach the load in the transport position in front of the pile (fig. E5).
- Raise the mast (1) until the load is higher than the pile and move the lift truck forward (2) (fig. E6) very carefully and gently, until the load is over the pile. Put the handbrake on and set the forward/reverse selector to neutral.
- Place the load in a horizontal position by tilting the mast forwards (1) and lay it down on the pile (2) while checking the correct positioning of the load (fig. E7).
- Reverse the lift truck (1) very slowly and carefully to release the forks (fig. E8). Then set them into transport position.





MAINTENANCE INSTRUCTIONS OF THE LIFT TRUCK

GENERAL INSTRUCTIONS

- Ensure the area is sufficiently ventilated before starting the lift truck.
- Wear clothes suitable for the maintenance of the lift truck, avoid wearing jewelry and loose clothes. Tie and protect your hair, if necessary.
- Stop the engine and remove the ignition key, when an intervention is necessary.
- Read the operator's manual carefully.
- Carry out all repairs immediately, even if the repairs concerned are minor.
- Repair all leaks immediately, even if the leak concerned is minor.
- Make sure that the disposal of process materials and of spare parts is carried out in total safety and in an ecological way.
- Be careful of the risk of burning and splashing (exhaust, radiator, engine, etc.).

MAINTENANCE

- Perform the periodic service (see: 3 - MAINTENANCE) to keep your lift truck in good working conditions. Failure to perform the periodic service may cancel the contractual guarantee.

MAINTENANCE LOGBOOK

- The maintenance operations carried out in accordance with the recommendations given in part: 3 - MAINTENANCE and the other inspection, servicing or repair operations or modifications performed on the lift truck or its attachments shall be recorded in a maintenance logbook. The entry for each operation shall include details of the date of the works, the names of the individuals or companies having performed them, the type of operation and its frequency, if applicable. The part numbers of any lift truck items replaced shall also be indicated.

LUBRICANT AND FUEL LEVELS

- Use the recommended lubricants (never use contaminated lubricants).
- Do not fill the fuel tank when the engine is running.
- Only fill up the fuel tank in areas specified for this purpose.
- Do not fill the fuel tank to the maximum level.
- Do not smoke or approach the lift truck with a flame, when the fuel tank is open or is being filled.

HYDRAULIC

- Any work on the load handling hydraulic circuit is forbidden except for the operations described in part: 3 - MAINTENANCE.
- Do not attempt to loosen couplings, hoses or any hydraulic component with the circuit under pressure.

⚠ IMPORTANT ⚠

*It is dangerous to change the setting and remove the **BALANCING VALVES** or **SAFETY VALVES** which may be fitted to your lift truck cylinders.*

*The **HYDRAULIC ACCUMULATORS** that may be fitted on your lift truck are pressurized units.*

Removing these accumulators and their pipework is dangerous.

Such operations must only be performed by approved personnel (consult your dealer).

ELECTRICITY

- Do not short-circuit the starter relay to start the engine. If the forward/reverse selector is not in neutral and the parking brake is not applied, the lift truck may suddenly start to move.
- Do not place metal items on the battery.
- Disconnect the battery before working on the electrical circuit.



WELDING

- Disconnect the battery before any welding operations on the lift truck.
- When carrying out electric welding work on the lift truck, connect the negative cable from the equipment directly to the part being welded, so as to avoid high tension current passing through the alternator.
- Never carry out welding or work which gives off heat on an assembled tire. The heat would increase the pressure which could cause the tire to explode.
- If the lift truck is equipped with an electronic control unit, disconnect this before starting to weld, to avoid the risk of causing irreparable damage to electronic components.

WASHING THE LIFT TRUCK

- Clean the lift truck or at least the area concerned before any intervention.
- Remember to close and lock all accesses to the lift truck (doors, windows, cowls...).
- During washing, avoid the articulations and electrical components and connections.
- If necessary, protect against penetration of water, steam or cleaning agents, components susceptible of being damaged, particularly electrical components and connections and the injection pump.
- Clean the lift truck of any fuel, oil or grease trace.

TRANSPORTING THE LIFT TRUCK

⚠ IMPORTANT ⚠

Transporting the lift truck involves real risks for the operator and others involved.

- Towing, slinging or transporting the lift truck (see 3 - MAINTENANCE: G - OCCASIONAL MAINTENANCE).



IF THE LIFT TRUCK IS NOT TO BE USED FOR A LONG TIME

INTRODUCTION

The following recommendations are intended to prevent the lift truck from being damaged when it is withdrawn from service for an extended period.

⚠ IMPORTANT ⚠

Procedures to follow if the lift truck is not to be used for a long time and for starting it up again afterwards must be performed by your dealership. This long-term storage period must not exceed 12 months.

PREPARING THE LIFT TRUCK

- Clean the lift truck thoroughly.
- Check and repair any leakage of fuel, oil, water or air.
- Replace or repair any worn or damaged parts.
- Wash the painted surfaces of the lift truck in clear and cold water and wipe them.
- Touch up the paintwork if necessary.
- Shut down the lift truck (see: OPERATING INSTRUCTIONS UNLADEN AND LADEN).
- Make sure the mast cylinder rods are all in retracted position.
- Release the pressure in the hydraulic circuits.

PROTECTING THE ENGINE

- Fill the tank with fuel (see: 3 - MAINTENANCE: A - DAILY OR EVERY 10 HOURS SERVICE).
- Empty and replace the cooling liquid (see: 3 - MAINTENANCE: F - EVERY 2000 HOURS SERVICE).
- Leave the engine running at idling speed for a few minutes, then switch off.
- Replace the engine oil and oil filter (see: 3 - MAINTENANCE: D - EVERY 500 HOURS SERVICE).
- Run the engine for a short time so that the oil and cooling liquid circulate inside.
- Disconnect the battery and store it in a safe place away from the cold, after charging it to a maximum.
- Block the outlet with waterproof adhesive tape.
- Remove the drive belts and store them in a safe place.
- Disconnect the engine cut-off solenoid on the injection pump and carefully insulate the connection.

PROTECTING THE LIFT TRUCK

- Set the lift truck on axle stands so that the tires are not in contact with the ground and release the handbrake.
- Protect cylinder rods which will not be retracted, from corrosion.
- Wrap the tires.

NOTE: If the lift truck is to be stored outdoors, cover it with a waterproof tarpaulin.

BRINGING THE LIFT TRUCK BACK INTO SERVICE

- Remove the waterproof adhesive tape from all the holes.
- Refit and reconnect the battery.
- Remove the protection from the cylinder rods.
- Perform the daily service (see: 3 - MAINTENANCE: A - DAILY OR EVERY 10 HOURS SERVICE).
- Put the handbrake on and remove the axle stands.
- Empty and replace the fuel and replace the fuel filter (see: 3 - MAINTENANCE: D - EVERY 500 HOURS SERVICE).
- Refit and set the tension in the drive belts (see: 3 - MAINTENANCE: FILTERS CARTRIDGES AND BELTS).
- Turn the engine over with the starter, to allow the oil pressure to rise.
- Reconnect the engine cut-off solenoid.
- Lubricate the lift truck completely (see: 3 - MAINTENANCE: SERVICING SCHEDULE).

⚠ IMPORTANT ⚠

Ensure the area is sufficiently ventilated before starting the lift truck.

- Start up the lift truck, following the safety instructions and regulations (see: OPERATING INSTRUCTIONS UNLADEN AND LADEN).
- Run all the mast's hydraulic movements, concentrating on the ends of travel for each cylinder.



LIFT TRUCK DISPOSAL

⚠ IMPORTANT ⚠

Consult your dealer before disposing of your lift truck.

RECYCLING OF MATERIALS

METALS

- Metals are 100% recoverable and recyclable.

PLASTICS

- Plastic parts are identified with a marking in accordance with current regulations.
- A limited range of materials is used to simplify the recycling process.
- The majority of plastic components are made of "thermoplastic" plastics, that are easily recycled by melting, granulating or grinding.

RUBBER

- Tires and seals can be ground for use in cement manufacture or to obtain reusable granules.

GLASS

- Glass items can be removed and collected for processing by glaziers.

ENVIRONMENTAL PROTECTION

By entrusting the maintenance of your lift truck to the MANITOU network, the risk of pollution is limited and the contribution to environmental protection contribution is made.

WORN OR DAMAGED PARTS

- Do not dump them in the countryside.
- MANITOU and its network have signed-up to a scheme of environmental protection through recycling.

USED OIL

- The MANITOU network organizes the collection and processing of used oil products.
- By handing over your waste oil to MANITOU, the risk of pollution is limited.

USED BATTERIES

- Do not throw away batteries, as they contain metals that are harmful for the environment.
- Return them to the MANITOU network or any other approved collection point.

NOTE: MANITOU aims to manufacture lift trucks that provide the best performance and limit polluting emissions.





2 - DESCRIPTION





2 - DESCRIPTION

<u>CE DECLARATION OF CONFORMITY</u>	2-4
<u>SAFETY PLATES AND STICKERS</u>	2-6
<u>IDENTIFICATION OF THE LIFT TRUCK</u>	2-8
<u>CHARACTERISTICS</u> MC 18-2	2-10
<u>CHARACTERISTICS</u> MC 18-4	2-12
<u>MAST CHARACTERISTICS AND LOAD CHARTS</u>	2-14
<u>TYRES</u>	2-16
<u>INSTRUMENTS AND CONTROLS</u>	2-18
<u>SLINGING AND SECURING PIN</u>	2-32



CE DECLARATION OF CONFORMITY

1) **DÉCLARATION «CE» DE CONFORMITÉ (originale)** **«EC» DECLARATION OF CONFORMITY (original)**

2) La société, *The company* : **MANITOU BF**

3) Adresse, *Address* : **430, rue de l'Aubinière - BP 10249 - 44158 - ANCENIS CEDEX - FRANCE**

4) Dossier technique, *Technical file* : **MANITOU BF - 430, rue de l'Aubinière
BP 10249 - 44158 - ANCENIS CEDEX - FRANCE**

5) Constructeur de la machine décrite ci-après, *Manufacturer of the machine described below* :

MC 18-2 D K ST3A S1

MC 18-4 D K ST3A S1

6) Déclare que cette machine, *Declares that this machine* :

7) Est conforme aux directives suivantes et à leurs transpositions en droit national,
Complies with the following directives and their transpositions into national law :

2006/42/CE

8) Pour les machines annexe IV, *For annex IV machines* :

9) Numéro d'attestation, *Certificate number* :

10) Organisme notifié, *Notified body* :

15) Normes harmonisées utilisées, *Harmonised standards used* :

16) Normes ou dispositions techniques utilisées, *Standards or technical provisions used* :

17) Fait à, *Done at* :

18) Date, *Date* :

19) Nom du signataire, *Name of signatory* :

20) Fonction, *Function* :

21) Signature, *Signature* :



bg : 1) удостоверение за «CE» съответствие (оригинална), 2) Фирмата, 3) Адрес, 4) Техническо досие, 5) Фабрикант на описаната по-долу машина, 6) Обявява, че тази машина, 7) Отговаря на следните директиви и на тяхното съответствие национално право, 8) За машините към допълнение IV, 9) Номер на удостоверението, 10) Наименувана фирма, 15) хармонизирани стандарти използвани, 16) стандарти или технически правила, използвани, 17) Изработено в, 18) Дата, 19) Име на разписалия се, 20) Функция, 21) Функция.

cs : 1) ES prohlášení o shodě (původní), 2) Název společnosti, 3) Adresa, 4) Technická dokumentace, 5) Výrobce níže uvedeného stroje, 6) Prohlašuje, že tento stroj, 7) Je v souladu s následujícími směrnici a směrnici transponovanými do vnitrostátního práva, 8) Pro stroje v příloze IV, 9) Číslo certifikátu, 10) Notifikační orgán, 15) harmonizované normy použity, 16) Normy a technických pravidel používaných, 17) Místo vydání, 18) Datum vydání, 19) Jméno podepsaného, 20) Funkce, 21) Podpis.

da : 1) EF Overensstemmelseserklæring (original), 2) Firmaet, 3) Adresse, 4) tekniske dossier, 5) Konstruktor af nedenfor beskrevne maskine, 6) Erklærer, at denne maskine, 7) Overholder nedennævnte direktiver og disses gennemførelse til national ret, 8) For maskiner under bilag IV, 9) Certifikat nummer, 10) Bemyndigede organ, 15) harmoniserede standarder, der anvendes, 16) standarder eller tekniske regler, 17) Udfærdiget i, 18) Dato, 19) Underskrivers navn, 20) Funktion, 21) Underskrift.

de : 1) EG-Konformitätserklärung (original), 2) Die Firma, 3) Adresse, 4) Technischen Unterlagen, 5) Hersteller der nachfolgend beschriebenen Maschine, 6) Erklärt, dass diese Maschine, 7) den folgenden Richtlinien und deren Umsetzung in die nationale Gesetzgebung entspricht, 8) Für die Maschinen laut Anhang IV, 9) Bescheinigungsnummer, 10) Benannte Stelle, 15) angewandten harmonisierten Normen, 16) angewandten sonstigen technischen Normen und Spezifikationen, 17) Ausgestellt in, 18) Datum, 19) Name des Unterzeichners, 20) Funktion, 21) Unterschrift.

el : 1) Δήλωση συμμόρφωσης CE (πρωτότυπο), 2) Η εταιρεία, 3) Διεύθυνση, 4) τεχνικό φάκελο, 5) Κατασκευάστρια του εξής περιγραφόμενου μηχανήματος, 6) Δηλώνει ότι αυτό το μηχάνημα, 7) Είναι σύμφωνο με τις εξής οδηγίες και τις προσαρμογές τους στο εθνικό δίκαιο, 8) Για τα μηχανήματα παραρτήματος IV, 9) Αριθμός δήλωσης, 10) Κοινοποιημένος φορέας, 15) εναρμονισμένα πρότυπα που χρησιμοποιούνται, 16) Πρότυπα ή τεχνικούς κανόνες που χρησιμοποιούνται, 16) Είναι σύμφωνο με τα εξής πρότυπα και τεχνικές διατάξεις, 17) Έν, 18) Ημερομηνία, 19) Όνομα του υπογράφοντος, 20) Θέση, 21) Υπογραφή.

es : 1) Declaración DE de conformidad (original), 2) La sociedad, 3) Dirección, 4) expediente técnico, 5) Constructor de la máquina descrita a continuación, 6) Declara que esta máquina, 7) Está conforme a las siguientes directivas y a sus transposiciones en derecho nacional, 8) Para las máquinas anexo IV, 9) Número de certificación, 10) Organismo notificado, 15) normas armonizadas utilizadas, 16) Otras normas o especificaciones técnicas utilizadas, 17) Hecho en, 18) Fecha, 19) Nombre del signatario, 20) Función, 21) Firma.

et : 1) EÜ vastavusdeklaratsioon (algupärane), 2) Äriühing, 3) Aadress, 4) Tehniline dokumentatsioon, 5) Seadme tootja, 6) Kinnitab, et see toode, 7) On vastavuses järgmistele direktiivide ja nende riigisisese õigussesse ülevõetud vastuvõetud õigusaktidega, 8) IV lisas loetletud seadmete puhul, 9) Tunnistuse number, 10) Sertifitseerimisasutus, 15) kasutatud ühtlustatud standardite, 16) Muud standardites või spetsifikatsioonides kasutatakse, 17) Väljaandmise koht, 18) Väljaandmise aeg, 19) Allkirjastaja nimi, 20) Amet, 21) Allkiri.

fi : 1) EY-vaatimustenmukaisuusvakuutus (alkuperäiset), 2) Yritys, 3) Osoite, 4) teknisen eritelmän, 5) Jäljessä kuvatun koneen valmistaja, 6) Vakuuttaa, että tämä kone, 7) Täyttää seuraavien direktiivien sekä niitä vastaavien kansallisten säännösten vaatimukset, 8) Liitteen IV koneiden osalta, 9) Todistuksen numero, 10) Ilmoitettu laitos, 15) yhdenmukaistettuja standardeja käytetään, 16) muita standardeja tai eritelmiä, 17) Paikka, 18) Aika, 19) Allekirjoittajan nimi, 20) Toimi, 21) Allekirjoitus.

ga : 1) «EC» dearbhú comhréireachta (bunaidh), 2) An comhlacht, 3) Seoladh, 4) comhad teicniúil, 5) Déantóir an innill a thuariscítear thíos, 6) Dearbhaíonn sé go bhfuil an t-inneall, 7) Go gclonn sé le na teoracha seo a leanas agus a trasúimh isteach i ndlí náisiúnta, 8) Le haghaidh innill an aguisín IV, 9) Uimhir teastais, 10) Comhlacht a chuireadh i bhfios, 15) caighdeán comhchuíbhithe a úsáidtear, 16) caighdeán eile nó sonraíochtaí teicniúla a úsáidtear, 17) Déanta ag, 18) Dáta, 19) Ainm an tsínitheora, 20) Feidhm, 21) Síniú.

hu : 1) CE megfelelő ségi nyilatkozat (eredeti), 2) A vállalat, 3) Cím, 4) műszaki dokumentáció, 5) Az alábbi gép gyártója, 6) Kijelenti, hogy a gép, 7) Megfelel az alábbi irányelveknek valamint azok honosított előírásainak, 8) A IV. melléklet gépeihez, 9) Bizonylati szám, 10) Értesített szervezet, 15) felhasznált harmonizált szabványok, 16) egyéb felhasznált műszaki szabványok és előírások hivatkozásai, 17) Kelt (hely), 18) Dátum, 19) Aláíró neve, 20) Funkció, 21) Aláírás.

is : 1) Samræmisvottorð ESB (upprunalega), 2) Fyrirtækið, 3) Aðsetur, 4) Tæknilegar skrá, 5) Smíður tækisins sem lýst er hér á eftir, 6) Staðfestir að tækið, 7) Samræmist eftirfarandi stöðlum og staðfærslu þeirra með hljóðsón af þjóðarrétti, 8) Fyrir tækin í aukakafli IV, 9) Staðfestingarnúmer, 10) Tilkynnt til, 15) samhæfða staða sem notaðir, 16) önnur staðlar eða forskrifir notaðir, 17) Staður, 18) Dagsetning, 19) Nafn undirritaðs, 20) Staða, 21) Undirskrift.

it : 1) Dichiarazione CE di conformità (originale), 2) La società, 3) Indirizzo, 4) fascicolo tecnico, 5) Costruttore della macchina descritta di seguito, 6) Dichiaro che questa macchina, 7) È conforme alle direttive seguenti e alle relative trasposizioni nel diritto nazionale, 8) Per le macchine Allegato IV, 9) Numero di Attestazione, 10) Organismo notificato, 15) norme armonizzate applicate, 16) altre norme e specifiche tecniche applicate, 17) Stabilità a, 18) Data, 19) Nome del firmatario, 20) Funzione, 21) Firma.

lt : 1) CE atitikties deklaracija (originalas), 2) Bendrovė, 3) Adresas, 4) Techninė byla, 5) Žemiau nurodytas įrenginio gamintojas, 6) Pareiškia, kad šis įrenginys, 7) Atitinka toliau nurodytas direktyvas ir į nacionalinius teisės aktus perkeltus jų nuostatas, 8) IV priedas dėl mašinų, 9) Sertifikato Nr, 10) Paskelbtąjį įstaigą, 15) suderintus standartus naudojamus, 16) Kiti standartai ir techninės specifikacijos, 17) Pasirašyta, 18) Data, 19) Pasirašiusio asmens vardas ir pavardė, 20) Pareigos, 21) Parašas.

lv : 1) EK atbilstības deklarācija (oriģināls), 2) Uzņēmums, 3) Adrese, 4) tehniskās lietas, 5) Tālāk aprakstītās iekārtas ražotājs, 6) Apliecinā, ka šī iekārta, 7) Ir atbilstoša tālāk norādītajām direktīvām un to transpozīcijai nacionālajā likumdošanā, 8) Iekārtām IV pielikumā, 9) Apliecināš numurs, 10) Reģistrētā organizācija, 15) lietotajiem saskņpotajiem standartiem, 16) lietotajiem tehniskajiem standartiem un specifikācijām, 17) Sastādīta, 18) Datums, 19) Parakstītāja vārds, 20) Amats, 21) Paraksts.

mt : 1) Dikjarazzjoni ta' Konformità KE (oriġinali), 2) Il-kumpanija, 3) Indirizz, 4) fajl tekniku, 5) Manifattriċi tal-magna deskritta hawn isfel, 6) Tiddikjara li din il-magna, 7) Hija konformi hija konformi mad-Direttivi segwenti u l-Iliġijiet li jimplimentawhom fil-liġi nazzjonali, 8) Ghall-magni fl-Anness IV, 9) Numru taċ-certifikat, 10) Entità nnotifikata, 15) l-istandards armonizzati użati, 16) standards tekniki u specifikazzjonijiet oħra użati, 17) Magħmul f', 18) Data, 19) Isem il-firmatarju, 20) Kariga, 21) Firma.

nl : 1) EG-verklaring van overeenstemming (oorspronkelijk), 2) Het bedrijf, 3) Adres, 4) technisch dossier, 5) Constructeur van de hierna genoemde machine, 6) Verklaart dat deze machine, 7) In overeenstemming is met de volgende richtlijnen en hun omzettingen in het nationale recht, 8) Voor machines van bijlage IV, 9) Goedkeuringsnummer, 10) Aangezegde instelling, 15) gehanteerde geharmoniseerde normen, 16) andere gehanteerde technische normen en specificaties, 17) Opgemaakt te, 18) Datum, 19) Naam van ondergetekende, 20) Functie, 21) Handtekening.

no : 1) CE-samsvarserklæring (original), 2) Selskapet, 3) Adresse, 4) tekniske arkiv, 5) Fabrikant av følgende maskin, 6) Erklærer at denne maskinen, 7) Oppfyller kravene i følgende direktiver, med nasjonale gjennomføringsbestemmelser, 8) For maskinene i tillegg IV, 9) Attestnummer, 10) Notifisert organ, 15) harmoniserte standarder som brukes, 16) Andre standarder og spesifikasjoner brukt, 17) Utstedt i, 18) Dato, 19) Underskriverens navn, 20) Stilling, 21) Underskrift.

pl : 1) Deklaracja zgodności CE (oryginalne), 2) Spółka, 3) Adres, 4) dokumentacja technicznej, 5) Wykonawca maszyny opisanej poniżej, 6) Oświadcza, że ta maszyna, 7) Jest zgodna z następującymi dyrektywami i odpowiadającymi przepisami prawa krajowego, 8) Dla maszyn załącznik IV, 9) Numer certyfikatu, 10) Jednostka certyfikująca, 15) zastosowanych norm zharmonizowanych, 16) innych zastosowanych norm technicznych i specyfikacji, 17) Sporządzono w, 18) Data, 19) Nazwisko podpisującego, 20) Stanowisko, 21) Podpis.

pt : 1) Declaração de conformidade CE (original), 2) A empresa, 3) Morada, 4) processo técnico, 5) Fabricante da máquina descrita abaixo, 6) Declara que esta máquina, 7) Está em conformidade às directivas seguintes e às suas transposições para o direito nacional, 8) Para as máquinas no anexo IV, 9) Número de certificado, 10) Entidade notificada, 15) normas harmonizadas utilizadas, 16) outras normas e especificações técnicas utilizadas, 17) Elaborado em, 18) Data, 19) Nome do signatário, 20) Cargo, 21) Assinatura.

ro : 1) Declarație de conformitate CE (originală), 2) Societatea, 3) Adresa, 4) cartii tehnice, 5) Constructor al mașinii descrise mai jos, 6) Declară că prezenta mașină, 7) Este conformă cu directivele următoare și cu transpunerea lor în dreptul național, 8) Pentru mașinile din anexa IV, 9) Număr de atestare, 10) Organism notificat, 15) standardele armonizate utilizate, 16) alte standarde și specificații tehnice utilizate, 17) Intocmit la, 18) Data, 19) Numele persoanei care semnează, 20) Funcția, 21) Semnătura.

sk : 1) ES vyhlásenie o zhode (pôvodný), 2) Názov spoločnosti, 3) Adresa, 4) technickej dokumentácie, 5) Výrobca nižšie opísaného stroja, 6) Vyhlasuje, že tento stroj, 7) Je v súlade s nasledujúcimi smernicami a smernicami transponovanými do vnútroštátneho práva, 8) Pre stroje v prílohe IV, 9) Číslo certifikátu, 10) Notifikačný orgán, 15) použité harmonizované normy, 16) použité iné technické normy a predpisy, 17) Miesto vydania, 18) Dátum vydania, 19) Meno podpisujúceho, 20) Funkcia, 21) Podpis.

sl : 1) ES Izjava o ustreznosti (izvirna), 2) Družba, 3) Naslov, 4) tehnične dokumentacije, 5) Proizvajalac tukaj opisanega stroja, 6) Izjavlja, da je ta stroj, 7) Ustreza naslednjim direktivam in njihovi transpoziciji v državno pravo, 8) Za stroje priloga IV, 9) Številka potrdila, 10) Obvestilo organu, 15) uporabljene harmonizirane standarde, 16) druge uporabljene tehnične standarde in zahteve, 17) V, 18) Datum, 19) Ime podpisnika, 20) Funkcija, 21) Podpis.

sv : 1) CE-försäkran om överensstämmelse (original), 2) Företaget, 3) Adress, 4) tekniska dokumentationen, 5) Konstruktor av nedan beskrivna maskin, 6) Försäkrar att denna maskin, 7) Överensstämmer med nedanstående direktiv och införlivandet av dem i nationell rätt, 8) För maskinerna i bilaga IV, 9) Nummer för godkännande, 10) Organism som underrättats, 15) Harmoniserade standarder som använts, 16) andra tekniska standarder och specifikationer som använts, 17) Upprättat i, 18) Datum, 19) Namn på den som undertecknat, 20) Befattning, 21) Namnteckning.



SAFETY PLATES AND STICKERS

⚠ IMPORTANT ⚠

*Clean all of the stickers and safety plates to make them legible.
It is essential to replace stickers and safety plates which are illegible or damaged.
Check the presence of stickers and safety plates after replacing any spare parts.*

EXTERNAL PLATES AND STICKERS

REF.	PART NO.	DESCRIPTION
1	24653	- Slings point
2	234802	- Diesel

STICKERS AND PLATES UNDER THE ENGINE HOOD

REF.	PART NO.	DESCRIPTION
3	293887	- Anti-freeze
4	234798	- Hydraulic oil
5	719889	- Routine maintenance

STICKERS AND PLATES IN THE CAB

REF.	PART NO.	DESCRIPTION
6	253267	- Manipulator function
7	172385	- Towing forbidden
8	300681	- Safety instruction
9	Consult your dealer	- Load chart (according to model) *
10	Consult your dealer	- Manufacturer's plate
11	239594	- Sound power level 104dB

* The load chart referred to in the notice is a standard or blank chart. Each lift truck which can be used with an attachment has a specific chart. To obtain this, consult your dealer.



IDENTIFICATION OF THE LIFT TRUCK

As our policy is to promote a constant improvement in our products, our range of lift trucks may undergo certain modifications, without any obligation for us to advise our customers.

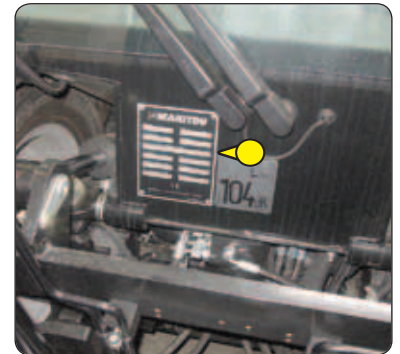
When you order parts, or when you require any technical information, always specify:

NOTE: For the owner's convenience, it is recommended that a note of these numbers is made in the spaces provided, at the time of the delivery of the lift truck.

LIFT TRUCK MANUFACTURER'S PLATE

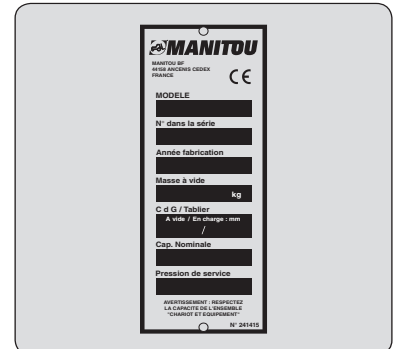
Modèle	Model
Série	Series
Année de fabrication	Year of manufacture
Année modèle	Model year
N° de série	Serial No.
Puissance	Power
Masse à vide	Unladen weight
Poids Total Roulant Autorisé	Authorised gross vehicle weight
Capacité nominale	Rated capacity
Effort de traction	Pulling force
Effort vertical maximum	Maximum vertical force
(sur crochet de remorque)	(on trailer hook)
Pression des pneumatiques (bar)	Tyre pressure (bar)
N° d'homologation	Homologation No.

NOTE: CHARACTERISTICS for all other technical information relating to your lift truck.



ATTACHMENT MANUFACTURER'S PLATE

- Model
- Serial No.
- Year of manufacture



ENGINE

- Model
- Serial No.
- Engine No.



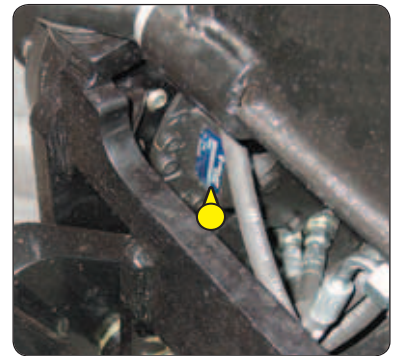
HYDROSTATIC PUMP

- MANITOU Part no.
- Type of codification
- Serial No.
- Manufacturer's No.
- Year of manufacture



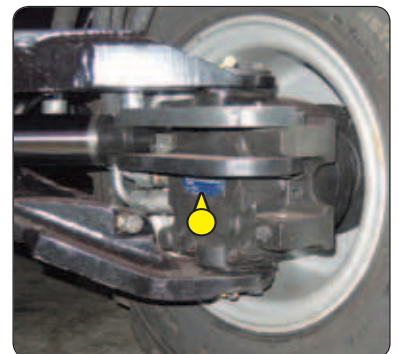
FRONT WHEEL ELECTRIC MOTORS

- MANITOU Part no.
- Type of codification
- Serial No.
- Manufacturer's No.
- Year of manufacture



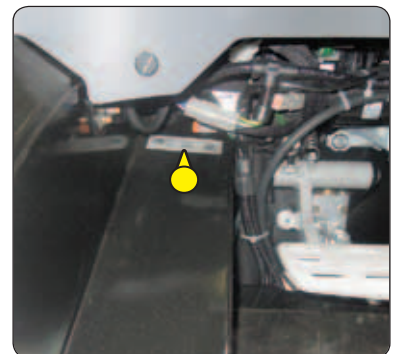
REAR WHEEL HYDROSTATIC MOTORS

- Type of codification
- Motor No.
- Manufacturer's No.
- Year of manufacture



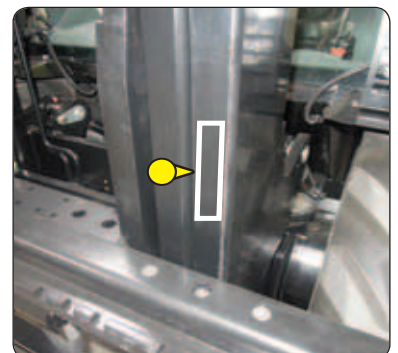
OVERHEAD GUARD / CAB

- Type
- Serial No.



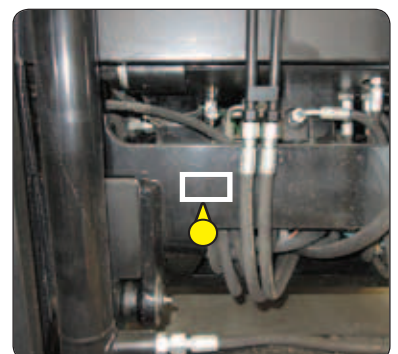
MASTS WITH ROLLERS

- Mast identification No.



CHASSIS

- Frame No.



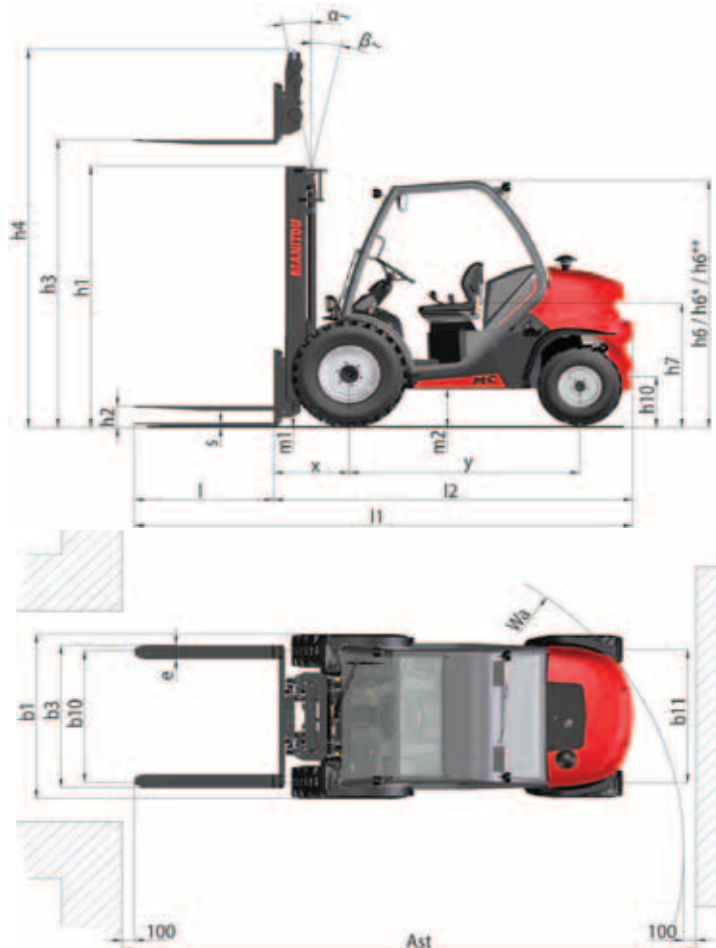


CHARACTERISTICS MC 18-2

NOTE: The specifications given are not binding on the manufacturer and can be modified without prior notification.

DESIGNATION	1.1	Manufacturer		MANITOU
	1.2	Model type / Serial no.		MC 18-2 D K ST3A S1
	1.3	Propulsion: battery, diesel, petrol, LPG, mains		Diesel
	1.4	Type of operation: manual, pedestrian, standing, seated		Seated
	1.5	Rated capacity/load on forks (basic capacity)	Q (t)	1.8
	1.6	Centre of gravity of load	c (mm)	500
	1.8	Distance from the load bearing surface to the centre of the front axle	x (mm)	616
	1.9	Wheelbase	y (mm)	1900
	WEIGHT	2.1	Weight of truck in working order	kg
2.2		Front axle load laden	kg	4555
2.2.1		Rear axle load laden	kg	650
2.3		Front axle load unladen	kg	1625
2.3.1		Rear axle load unladen	kg	1780
RUNNING CARRIAGE		3.1	Tyre equipment bandage (V), super-elastic (SE), pneumatic (L)	
	3.2	Size of front wheels	" or mm	12,5/80-18/12 SL R4
	3.3	Size of rear wheels	" or mm	7.00-12/12 ED PLUS
	3.5	Number of front wheels (x = drive wheel)		2x
	3.5.1	Number of rear wheels (x = drive wheel)		2
	3.6	Front track (middle of wheels)	b10 (mm)	1159
	3.7	Rear track (middle of wheels)	b11 (mm)	1112
DIMENSIONS	4.1	Tilt of mast forward	α (°)	10
	4.1.1	Tilt of mast backward	β (°)	12
	4.2	Height of mast lowered	h1 (mm)	2340
	4.3	Normal free lift	h2 (mm)	90
	4.4	Lift height	h3 (mm)	3300
	4.5	Height of extended mast	h4 (mm)	4176
	4.7	Height of standard or cab driver protection	h6 (mm)	2145
	4.7	Height of lowered driver protection (option)	h6 *(mm)	1990
	4.7	Height of air-conditioned cab (option)	h6 **(mm)	1990
	4.8	Height of seat	h7 (mm)	1034
	4.12	Height of towing coupling	h10 (mm)	-
	4.19	Total length	l1 (mm)	4050
	4.20	Length of forks at heel	l2 (mm)	2950
	4.21	Overall width	b1 (mm)	1450
	4.22	Section of fork arms	s (mm)	35
	4.22.1	Width of fork arms	e (mm)	100
	4.22.2	Length of fork arms	l (mm)	1100
	4.23	Fork carriage (to DIN 15173 A/B)		FEM 2A
	4.24	Width of fork carriage (with load back-rest)	b3 (mm)	1260
	4.31	Ground clearance of mast (unladen)	m1 (mm)	300
4.32	Ground clearance at centre of wheel-base (unladen)	m2 (mm)	320	
4.33	Aisle width for palette 1000x1200 widthways	Ast (mm)	4401	
4.34	Turning radius	Wa (mm)	2585	

PERFORMANCES	5.1	Speed of travel laden	km/h	12
	5.1.1	Speed of travel unladen (2WD / 4WD)	km/h	25 / -
	5.2	Speed of rise laden	m/s	0.4
	5.2.1	Speed of rise unladen	m/s	0.4
	5.3	Speed of lowering laden	m/s	0.4
	5.3.1	Speed of lowering unladen	m/s	0.4
	5.5	Nominal towing power laden	daN	1080
	5.5.1	Nominal towing power unladen	daN	1100
	5.7	Slope laden	%	21
	5.7.1	Slope unladen	%	34
	5.8	Acceleration time unladen (2WD / 4WD)	s	10 / -
	5.9	Service brake		Low pressure hydraulic
ENGINE SPECIFICATION	7.1	Engine manufacturer/Type		KUBOTA / V1505
	7.2	Engine power rating (to ISO 1585)	kW	26.5
	7.3	Rated speed	rpm	3000
	7.4	Number of pistons/Capacity	cm ³	4 - 1498
	7.5	Fuel consumption (according to VDI cycle)	l/h	3.5
MISCELLANEOUS	8.1	Speed control		Cable
	8.2	Working hydraulic pressure for attachments	Bar	180
	8.3	Oil flow rate at pump outlet	l/min	39
	8.3	Oil flow rate for attachments	l/min	37
	8.4	Sound level at driver's ear (according to DIN 12053)	db (A)	79
	8.5	Guaranteed sound power level to the environment LWA (according to Directive 2000/14/CE modified by Directive 2005/88/CE)	db (A)	104
8.6-	Average weighted acceleration on driver's body (according to NF EN 13059)	m/s	-	





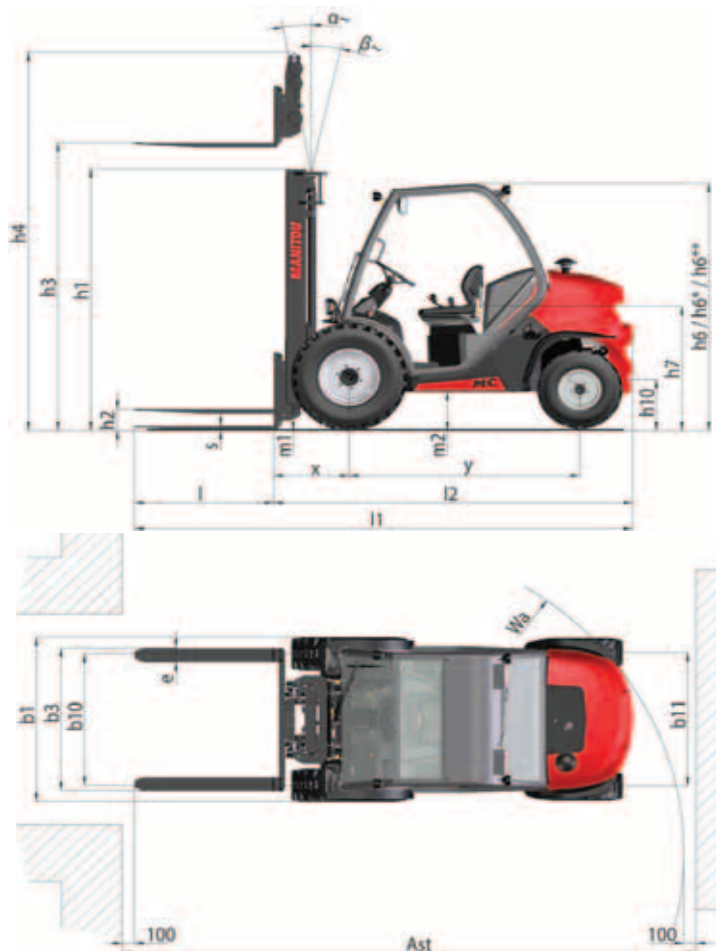
CHARACTERISTICS MC 18-4

NOTE: The specifications given are not binding on the manufacturer and can be modified without prior notification.

DESIGNATION	1.1	Manufacturer		MANITOU
	1.2	Model type / Serial no.		MC 18-4 D K ST3A S1
	1.3	Propulsion: battery, diesel, petrol, LPG, mains		Diesel
	1.4	Type of operation: manual, pedestrian, standing, seated		Seated
	1.5	Rated capacity/load on forks (basic capacity)	Q (t)	1.8
	1.6	Centre of gravity of load	c (mm)	500
	1.8	Distance from the load bearing surface to the centre of the front axle	x (mm)	616
	1.9	Wheelbase	y (mm)	1900
	WEIGHT	2.1	Weight of truck in working order	kg
2.2		Front axle load laden	kg	4692
2.2.1		Rear axle load laden	kg	670
2.3		Front axle load unladen	kg	1662
2.3.1		Rear axle load unladen	kg	1900
RUNNING CARRIAGE		3.1	Tyre equipment bandage (V), super-elastic (SE), pneumatic (L)	
	3.2	Size of front wheels	" or mm	12,5/80-18/12 SL R4
	3.3	Size of rear wheels	" or mm	27x10-12 SKS
	3.5	Number of front wheels (x = drive wheel)		2x
	3.5.1	Number of rear wheels (x = drive wheel)		2x
	3.6	Front track (middle of wheels)	b10 (mm)	1159
	3.7	Rear track (middle of wheels)	b11 (mm)	1176
DIMENSIONS	4.1	Tilt of mast forward	α (°)	10
	4.1.1	Tilt of mast backward	β (°)	12
	4.2	Height of mast lowered	h1 (mm)	2340
	4.3	Normal free lift	h2 (mm)	90
	4.4	Lift height	h3 (mm)	3300
	4.5	Height of extended mast	h4 (mm)	4176
	4.7	Height of standard or cab driver protection	h6 (mm)	2145
	4.7	Height of lowered driver protection (option)	h6 *(mm)	1990
	4.7	Height of air-conditioned cab (option)	h6 **(mm)	1990
	4.8	Height of seat	h7 (mm)	104
	4.12	Height of towing coupling	h10 (mm)	-
	4.19	Total length	l1 (mm)	4050
	4.20	Length of forks at heel	l2 (mm)	2950
	4.21	Overall width	b1 (mm)	1450
	4.22	Section of fork arms	s (mm)	35
	4.22.1	Width of fork arms	e (mm)	100
	4.22.2	Length of fork arms	l (mm)	1100
	4.23	Fork carriage (to DIN 15173 A/B)		FEM 2A
	4.24	Width of fork carriage (with load back-rest)	b3 (mm)	1260
	4.31	Ground clearance of mast (unladen)	m1 (mm)	300
4.32	Ground clearance at centre of wheel-base (unladen)	m2 (mm)	310	
4.33	Aisle width for palette 1000x1200 widthways	Ast (mm)	5186	
4.34	Turning radius	Wa (mm)	3370	



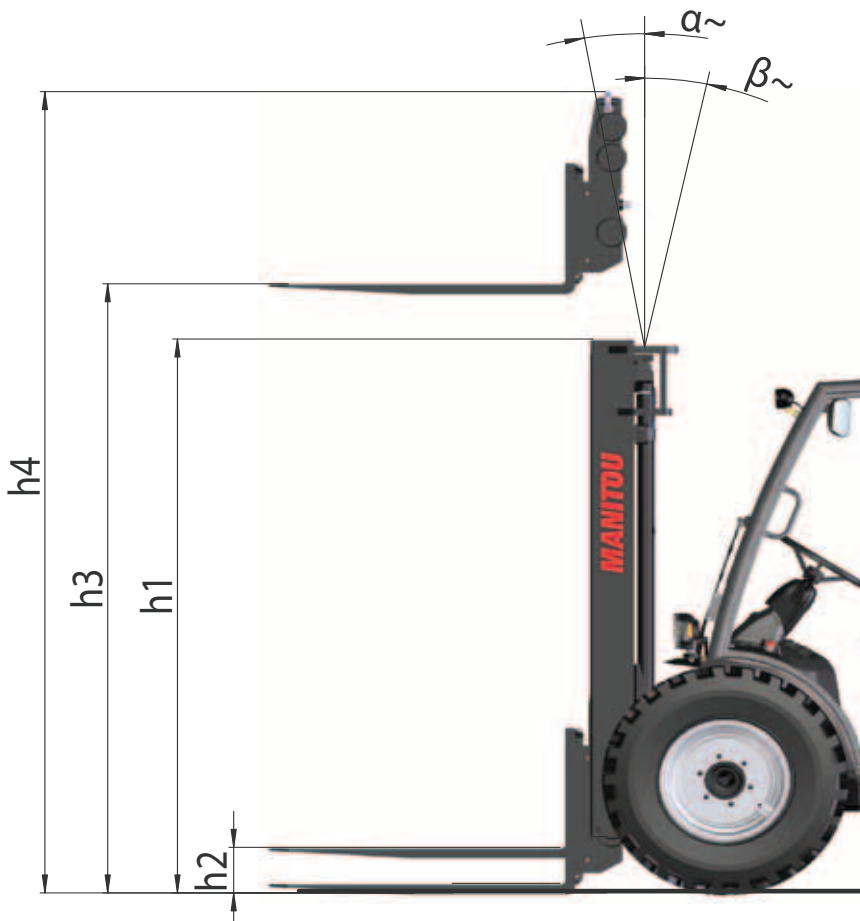
PERFORMANCES	5.1	Speed of travel laden	km/h	12
	5.1.1	Speed of travel unladen (2WD / 4WD)	km/h	25 / 14
	5.2	Speed of rise laden	m/s	0.4
	5.2.1	Speed of rise unladen	m/s	0.4
	5.3	Speed of lowering laden	m/s	0.4
	5.3.1	Speed of lowering unladen	m/s	0.4
	5.5	Nominal towing power laden	daN	1860
	5.5.1	Nominal towing power unladen	daN	1950
	5.7	Slope laden	%	37
	5.7.1	Slope unladen	%	65
	5.8	Acceleration time unladen (2WD / 4WD)	s	10 / 8
	5.9	Service brake		Low pressure hydraulic
ENGINE SPECIFICATION	7.1	Engine manufacturer/Type		KUBOTA / V1505
	7.2	Engine power rating (to ISO 1585)	kW	26.5
	7.3	Rated speed	rpm	3000
	7.4	Number of pistons/Capacity	cm ³	4 - 1498
	7.5	Fuel consumption (according to VDI cycle)	l/h	4
MISCELLANEOUS	8.1	Speed control		Cable
	8.2	Working hydraulic pressure for attachments	Bar	180
	8.3	Oil flow rate at pump outlet	l/min	39
	8.3	Oil flow rate for attachments	l/min	37
	8.4	Sound level at driver's ear (according to DIN 12053)	db (A)	81
	8.5	Guaranteed sound power level to the environment LWA (according to Directive 2000/14/CE modified by Directive 2005/88/CE)	db (A)	104
8.6-	Average weighted acceleration on driver's body (according to NF EN 13059)	m/s	-	





MAST CHARACTERISTICS AND LOAD CHARTS

MC 18-2 D K ST3A S1 MC 18-4 D K ST3A S1	LIFTING MAST	FREE LIFT	HEIGHT OF MAST		TILTING	
	h3 (mm)	h2 (mm)	h1 (mm) lowered	h4 (mm) extended	FWD α (°)	RWD β (°)
DUPLEX TOTAL VISIBILITY	3300	90	2340	4176	10	12
	3700	90	2600	4576	10	12
	4500	90	3040	5376	10	12
TRIPLEX WITHOUT FREE LIFT	3300	0	1880	4115	10	12
	3700	1216	1990	4514	10	12
TRIPLEX FREE LIFT	4000	1316	2135	4814	10	12
	4300	1416	2190	5114	10	12
	4700	1566	2340	5514	10	12
	5000	1666	2440	5814	6	6
	5500	1826	2600	6314	6	6





VALUES ON FORKS				VALUES WITH ADDED SIDESHIFT			
Height at max. capacity (mm)		Capacity at max. height CoG at 500 mm (kg)		Height at max. capacity (mm)		Capacity at max. height CoG at 500 mm (kg)	
1.8 t		1.8 t		1.8 t		1.8 t	
3300		1800		3300		1800	
3700		1800		3700		1800	
3500		1000		3500		750	
3300		1800		3300		1800	
3700		1800		3700		1800	
3500		1000		3500		750	
3500		1000		3500		750	
3500		1000		3500		750	

RATED CAPACITY → CAPACITE NOMINALE
RATED CAPACITY
NENNKAPAZITÄT
CAPACIDAD NOMINAL
CAPACITÀ NOMINALE [] kg

ACTUAL CAPACITIES (according to standard EN 1726-1) →

1 - Up to height of → 1 - Jusqu'à hauteur de levée
Up to height of
Bis zur hubhöhe
Hasta altura de elevación
Sino ad altezza di sollevamento [] mm

2 - For maximum height of → 2 - Pour hauteur maximale de
For maximum height of
Für maximale Höhe
Para altura máxima de
Per altezza massima di [] mm

VERTICAL MAST → MAT VERTICALE
VERTICAL MAST
VERTIKALER MAST
MASTIL VERTICALE
RAMPA VERTICALE

EQUIPMENT → EQUIPMENT
ATTACHMENT
ZUBEHÖR
EQUIPO
ATTREZZATURA

ACTUAL CAPACITIES → CAPACITES EFFECTIVES
ACTUAL CAPACITIES
EFFEKTIVE KAPAZITÄT
CAPACIDAD EFECTIVA
CAPACITÀ EFFETTIVA

n°: _____

- The "rough terrain" load chart (according to standard ISO 22915-13) for use on natural, undeveloped, non-level ground or on construction sites.
- The "industrial floor" load chart (according to standard ISO 22915-2) for use on hard, smooth, flat and prepared surfaces.



TYRES

FRONT

		PRESSURE (bar) LOAD PER TYRE (kg)	MC 18-2	MC 18-4
SOLIDEAL	12.5/80-18/12 SL R4 TUBELESS	PRESSURE	3.7	3.7
		Front unladen	810	830
		Front laden	2280	2350
CONTINENTAL	275/80R20 14PR MPT80 134J TUBELESS	PRESSURE	4.4	4.4
		Front unladen	810	830
		Front laden	2280	2350
MICHELIN	280/80R20 XMCL 133A8 TUBELESS	PRESSURE	4.1	4.1
		Front unladen	810	830
		Front laden	2280	2350

REAR

		PRESSURE (bar) LOAD PER TYRE (kg)	MC 18-2	MC 18-4
SOLIDEAL	7.00-12/12 ED PLUS	PRESSURE	8.5	
		Rear unladen	890	
		Rear laden	330	
	27x10.5-15 SKS	PRESSURE		7
		Rear unladen		900
		Rear laden		340
CONTINENTAL	27-10-12 14PR IC12	PRESSURE	4.5	
		Rear unladen	890	
		Rear laden	330	
	27-10-12 14PR IC30	PRESSURE		7
		Rear unladen		900
		Rear laden		340



		PRESSURE (bar)	LOAD (kg)	GROUND CONTACT PRESSURE (kg/cm ²)		GROUND CONTACT AREA (cm ²)	
				HARD GROUND	SOFT GROUND	HARD GROUND	SOFT GROUND
SOLIDEAL	12.5/80-18/12 SL R4 TUBELESS	3.7	810				
			830				
			880				
			2280				
			2350				
	7.00-12/12 ED PLUS	8.5	330				
			890				
	27x10.5-15 SKS	7	340				
			900				
			950				
CONTINENTAL	275/80R20 14PR MPT80 134J TUBELESS	4.4	810				
			830				
			2280				
			2350				
	27-10-12 14PR IC12	4.5	330				
			890				
	27-10-12 14PR IC30	7	340				
			900				
MICHELIN	80/80R20 XMCL 133A8 TUBELESS	4.1	810				
			830				
			2280				
			2350				

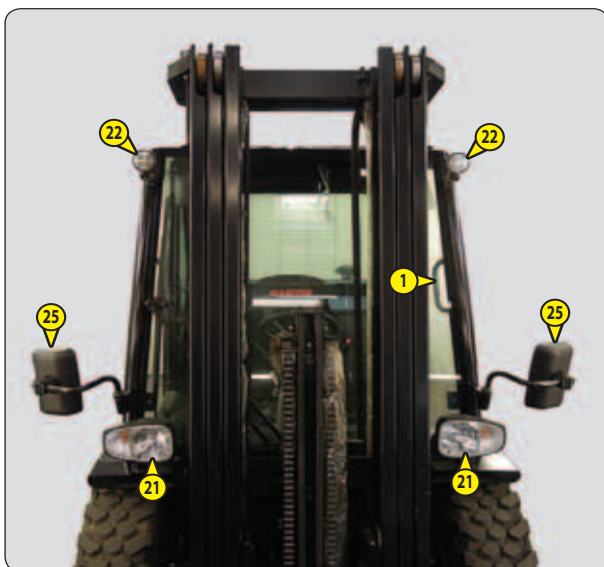
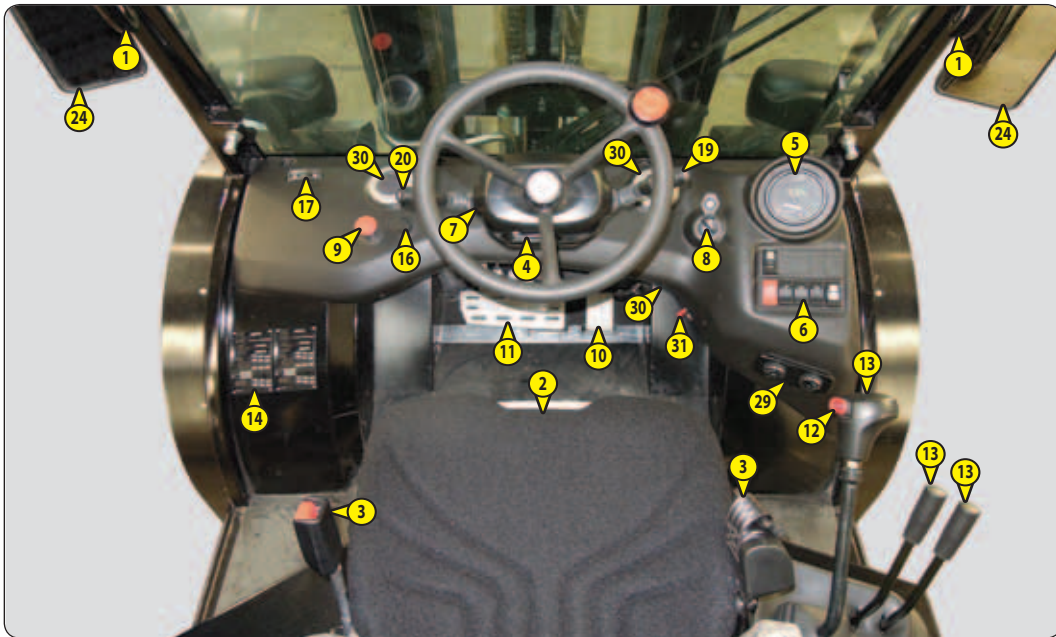


INSTRUMENTS AND CONTROLS

DESCRIPTION

- 1 - DRIVER'S CAB ACCESS HANDLE
- 2 - DRIVER'S SEAT
- 3 - SEAT BELT
- 4 - STEERING WHEEL ADJUSTMENT LEVER
- 5 - CONTROL AND SIGNAL LIGHTS PANEL
- 6 - SWITCHES
- 7 - WARNING ALARM
- 8 - IGNITION KEY
- 9 - EMERGENCY STOP
- 10 - ACCELERATOR PEDAL
- 11 - BRAKE AND TRANSMISSION CUT-OFF PEDAL
- 12 - FORWARD/NEUTRAL/REVERSE GEAR SELECTION
- 13 - HYDRAULIC CONTROLS
- 14 - LOAD CHARTS
- 15 - LEVEL INDICATOR (not illustrated)
- 16 - 12V SOCKET
- 17 - DOCUMENT CLIP
- 18 - DOCUMENT HOLDER (not illustrated)
- 19 - WINDSCREEN WIPER CONTROL (option)
- 20 - LIGHTING, HORN AND INDICATOR CONTROL (option)
- 21 - ROAD LIGHTS (option)
- 22 - WORKING LIGHTS (option)
- 23 - ROTATING BEACON LIGHT (option)
- 24 - INSIDE REAR-VIEW MIRROR
- 25 - OUTSIDE MIRRORS (option)
- 26 - MOTOR COVER PANEL
- 27 - BATTERY COVER
- 28 - FUSES AND RELAYS (not illustrated)
- 29 - HEATER CONTROL (option)
- 30 - HEATING VENTS (option)
- 31 - BATTERY CUT-OFF
- 32 - DOOR OPENING HANDLES (option) (not illustrated)
- 33 - DOOR RELEASE HANDLES (option) (not illustrated)
- 34 - SLIDING WINDOWS (option) (not illustrated)

NOTE: All the terms such as: RIGHT, LEFT, FRONT, REAR are as seen by an observer seated on driver's seat and looking straight ahead.



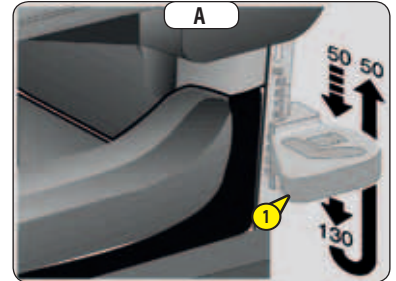
1 - DRIVER'S CAB ACCESS HANDLE

2 - DRIVER'S SEAT

DRIVER'S SEAT (standard)

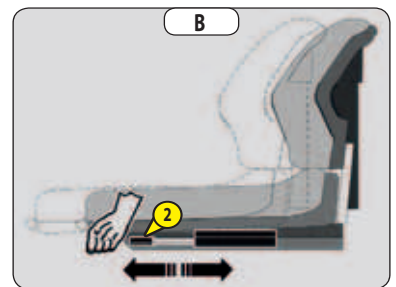
ADJUSTING WEIGHT (FIG. A)

- Press down lever 1 to the desired position.



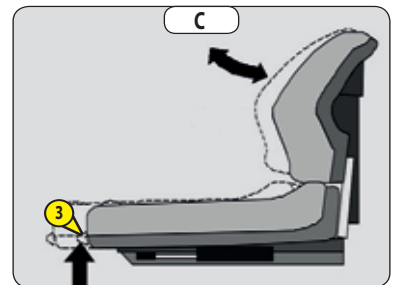
ADJUSTING DEPTH (FIG. B)

- Pull lever 2, then move seat forward or backward into the desired position.
- Release lever to lock in place.



ADJUSTING ANGLE OF BACK-REST (FIG. C)

- Pull lever 3, then adjust back-rest the desired position.
- Release lever to lock in place.



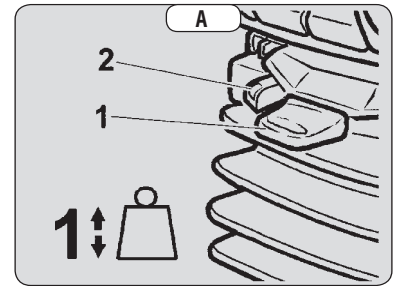


DRIVER'S PNEUMATIC SEAT (option)

Do not operate the pneumatic compressor for more than one minute.

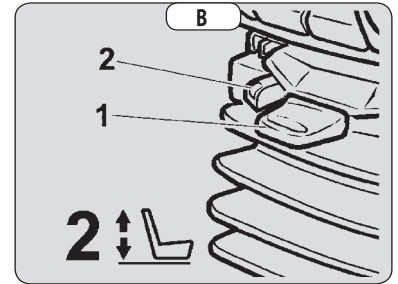
WEIGHT ADJUSTMENT (FIG. A)

- Sit on the seat.
- Switch on the lift truck's ignition.
- Pull or push lever 1 until green area appears in display light 2.



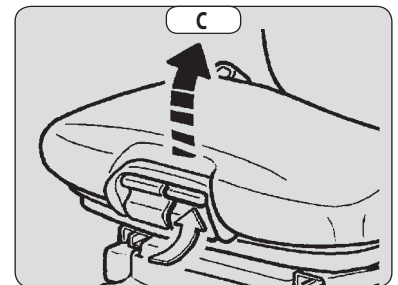
SEAT HEIGHT ADJUSTMENT (FIG. B)

- Keep the ignition on in the lift truck.
- Pull or push lever 1 to adjust the height of the seat while monitoring the green area in display light 2.



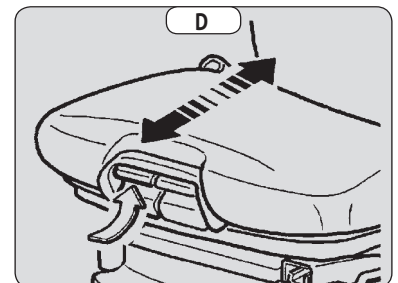
SEAT ANGLE ADJUSTMENT (FIG. C)

- Press the left-hand button, then push or relax pressure on the seat to find the desired position.



SEAT DEPTH ADJUSTMENT (FIG. D)

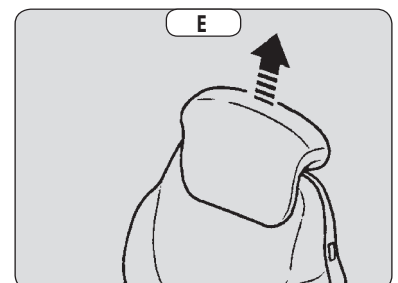
- Press the right-hand button, then move seat backward or forward to find the desired position.



HEAD-REST HEIGHT ADJUSTMENT (FIG. E)

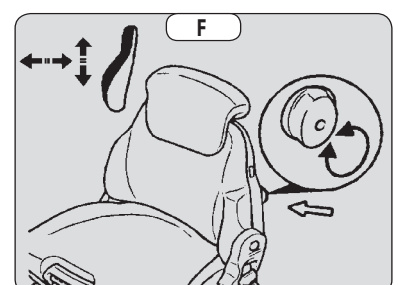
- Pull or push head-rest to the desired position.

The head-rest can be removed by applying sufficient pressure to pull it off the stop.



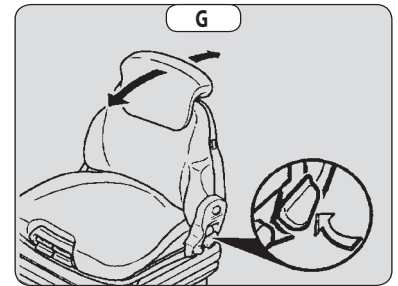
LUMBAR ADJUSTMENT (FIG. F)

- Turn the handle either left or right to adjust the height and depth to the desired position.



ADJUSTMENT OF THE ANGLE OF THE BACK-REST (FIG. G)

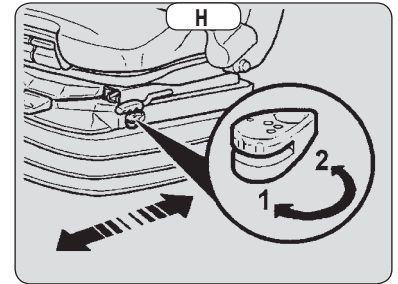
- Support the back-rest, pull the lever, then move the back-rest to the desired position.



HORIZONTAL SHOCK ABSORBER (FIG. H)

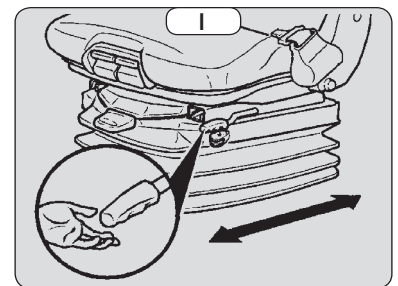
In certain conditions (e.g. rough terrain, etc.) the driver's seat can absorb shocks.

- Turn the button to position 1 to activate the shock absorber.
- Turn the button to position 2 to deactivate the shock absorber.



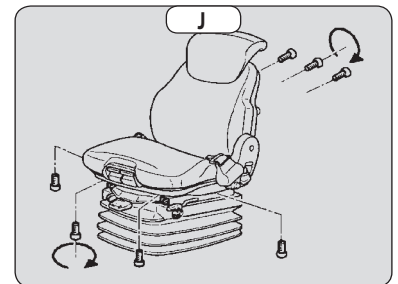
LONGITUDINAL ADJUSTMENT (FIG. I)

- Pull lever, then move seat forward or backward into the desired position.
- Release lever to lock in place.



SERVICING (FIG. J)

- Keep your seat clean to ensure its efficient functioning
- Clean the cushion fabric using a suitable product.
- Apply to a small hidden area first, to check colour fastness of fabric.
- Avoid wetting the cushion fabric.
- To make it easier to clean the cushions, remove them from the seat frame.

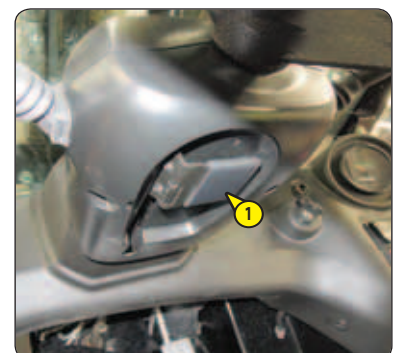


3 - SEAT BELT

- Sit correctly on the seat.
- Check condition of the safety belt.
- Place the seat belt at hip level, without twisting it.
- Lock the seat belt.

4 - STEERING WHEEL ADJUSTMENT LEVER

- Pull handle 1 to adjust the steering wheel.
- Push in handle 1 to lock the steering wheel in the desired position.



5 - CONTROL AND SIGNAL LIGHTS PANEL

CONTROL INSTRUMENTS

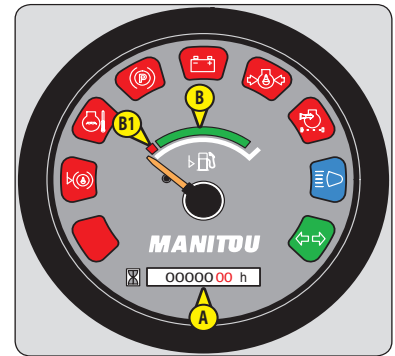
A - HOURMETER

B - FUEL LEVEL

Red zone B1 indicates that you are using the reserve supply and that time of use is limited.

SIGNAL LIGHTS

When the lift truck ignition is switched on, all the red lights and the buzzer on the panel should light up.



RED LAMP - HYDRAULIC RETURN FILTER CLOGGED

This lamp may come on when starting the lift truck and in cold weather. It should go off when the hydraulic fluid has reached its operating temperature.

- Stop the lift truck and carry out the necessary repairs (see cleaning and replacement requirements in chapter: 3 - MAINTENANCE: FILTERS AND BELTS).



NOT USED



RED I.C. ENGINE WATER TEMPERATURE LAMP

- Stop the I.C. engine immediately and search the cooling circuit for the cause of the malfunction.



RED PARKING BRAKE INDICATOR LAMP

The parking brake is applied.



RED BATTERY CHARGE WARNING INDICATOR LIGHT

- Switch off the engine immediately and check the electric circuit and the alternator belt.



RED ENGINE OIL PRESSURE WARNING INDICATOR LAMP

- Switch off the engine immediately and search for the cause (check engine oil level, etc.).



RED AIR FILTER CLOGGING INDICATOR LAMP

- Stop the lift truck and carry out the necessary repairs (chapter: 3 - MAINTENANCE).



BLUE MAIN BEAM LAMP (OPTION)



GREEN INDICATOR LAMP (OPTION)



6 - SWITCHES

NOTE: The location of the switches may vary depending on the options.

A - PARKING BRAKE

- Press the top of the switch to apply the parking brake. The indicator lamp lights up.
- Lower button A1 and press the bottom of the switch to disengage the parking brake.

B - OPTION

C - OPTION

Only for MC18-2

C - SWITCHING TO 4WD (low speed) <-> 2WD (high speed)

Only for MC18-4

When starting the lift truck, low speed is automatically selected.

C1: HIGH SPEED 24km/h (2WD)

- Press the top of the switch. The indicator lamp will switch on.

C2: LOW SPEED 14km/h (4WD)

- Press the bottom of the switch. The indicator lamp will switch on.

CONDITIONS OF USE

	FORWARD/REVERSE SELECTOR		
	Forward	Neutral	Reverse
(14km/h) 4WD --> 2WD (24km/h)	Permitted (*)	Permitted (*)	Impossible
(24km/h) 2WD --> 4WD (14km/h)	Permitted (**)	Permitted (**)	Permitted (**)

(*) After minimum 2 seconds.

(**) With the lift truck turned off, press down on the service brake pedal for 2 seconds before performing the manoeuvre.

D - OPTION

Only for MC18-2

D - DIFFERENTIAL LOCK

Only for MC18-4

If skidding occurs, the differential lock improves traction, whatever the ground conditions (slippery or soft surface, etc.).

- Keep the switch in the down position to enable the 4 drive wheels to rotate at the same speed.

E - OPTION

F - HAZARD WARNING LIGHTS OPTION

G - FRONT WORK LIGHTS OPTION

H - REVOLVING LIGHT OPTION

I - REAR WORK LIGHTS OPTION

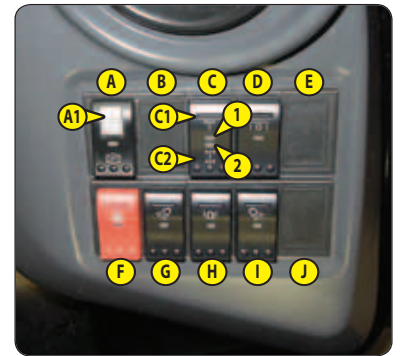
J - REAR DEFROST OPTION

7 - WARNING ALARM

8 - IGNITION KEY

This switch has 4 positions:

- P - Ignition off, parking position.
- O - Ignition switched off and engine stopped.
- I - Ignition and preheat.
- II - Start-up and return to position I as soon as the key is released.



9 - EMERGENCY STOP

- Press button 1 to stop the lift truck.
- Turn the button to unlock the emergency stop.



10 - ACCELERATOR PEDAL

11 - BRAKE AND TRANSMISSION CUT-OFF PEDAL

This pedal operates in two steps:

- 1 - Depress the pedal gradually to cut off the transmission and slow down the lift truck.
- 2 - Continue to press the pedal gradually to brake and stop the lift truck.

12 - FORWARD/NEUTRAL/REVERSE GEAR SELECTION

When changing the direction of travel, the lift truck should be travelling at slow speed and not accelerating.

To start the lift truck, the switch must be in neutral.

A - FORWARD GEAR

- Press the front of the switch.

B - REVERSE GEAR

- Press the back of the switch, the buzzer warns that the truck is reversing, as do optional reversing lights.

C - NEUTRAL

- Lightly press the front or back of the switch.



SAFETY FOR MOVING THE LIFT TRUCK

Movement of the lift truck is only authorised if the operator is present.

To move the lift truck, the following sequence must be observed:

- 1 - Sit down correctly in the driver's seat,
- 2 - Fasten the safety belt,
- 3 - Release the parking brake,
- 4 - Engage forward or reverse gear.

To stop the lift truck, the following sequence must be observed:

- 1 - Set the forward/reverse selector to neutral,
- 2 - Engage the parking brake,
- 3 - Unfasten the safety belt,
- 4 - Get out of the lift truck.

If the operator leaves the driver's cab with forward or reverse gear in operation:

- The alarm sounds continuously, the operator may sit back in the seat and continue moving.
- If the alarm sounds discontinuously, the operator must sit back in the seat and reset the forward/reverse selector to neutral before continuing to move.

AUSTRALIAN SPECIFICATION

If the operator leaves the driver's cab with forward or reverse gear in operation:

- The alarm sounds continuously, the operator may sit back in the seat and continue moving.
- If the alarm sounds discontinuously, the operator must, before continuing to move:
 - 1 - Reset the forward/reverse selector to neutral,
 - 2 - Sit down correctly in the driver's seat,
 - 3 - Fasten the safety belt,
 - 4 - Release the parking brake,
 - 5 - Engage forward or reverse gear.



13 - HYDRAULIC CONTROLS

⚠ IMPORTANT ⚠

In the event of a malfunction, consult your dealer.

*For your own safety, do not attempt to alter the hydraulic system pressure.
ANY MODIFICATION WILL INVALIDATE THE WARRANTY.*

The hydraulic controls must be used carefully without jerking, to avoid accidents caused by shaking the lift truck.

Using the hydraulic controls is only possible if the driver is present and seated correctly in the seat.

If the operator is not present in the seat, the hydraulic controls are frozen.

LIFTING THE LOAD

- Pull lever A back to lift.
Optional, the engine speed is automatically increased.
- Push lever A forwards to lower.

TILTING THE MAST

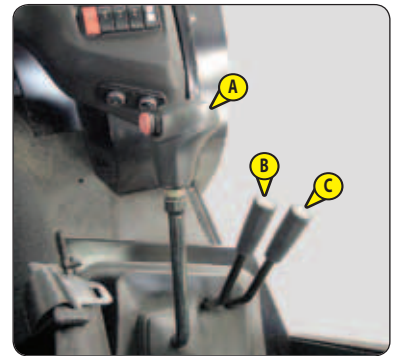
- Pull lever A to the left to tilt backwards.
- Push lever A to the right to tilt forwards.

ATTACHMENT (option)

- Pull or push lever B forward or backward.

ADDITIONAL ATTACHMENT (option)

- Pull or push lever C forward or backward.



14 - LOAD CHARTS

For your safety, and before handling any load, consult the load charts provided in the driver's cab.

15 - LEVEL INDICATORS

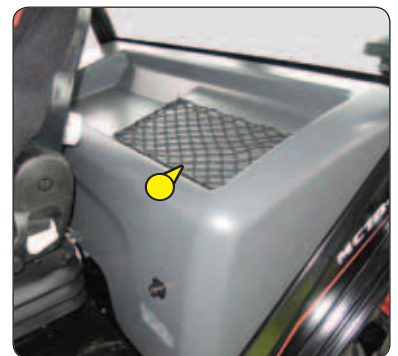
For your safety, and before handling any load, ensure that the lift truck is level.

16 - 12V SOCKET

17 - DOCUMENT CLIP

18 - DOCUMENT STORAGE NET

Make sure that the operating instructions are in the document holder net or in the waterproof document holder (option).

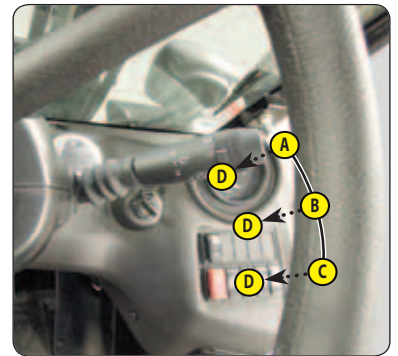




19 - WINDSCREEN WIPER CONTROL (option)

FRONT WINDSCREEN WIPER

- A - Off.
- B - On.
- C - On intermittent control.
- D - Windscreen washer (pulsing).

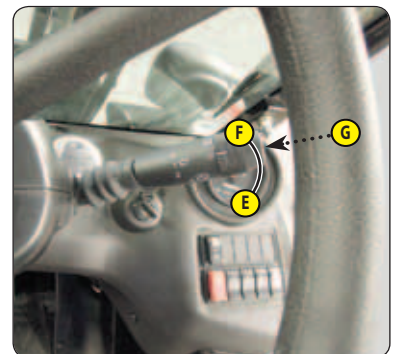


REAR WINDSCREEN WIPER

- E - Off.
- F - On.

ROOF WINDSCREEN WIPER

- G - Roof windscreen wiper and windscreen washer (pulsing).

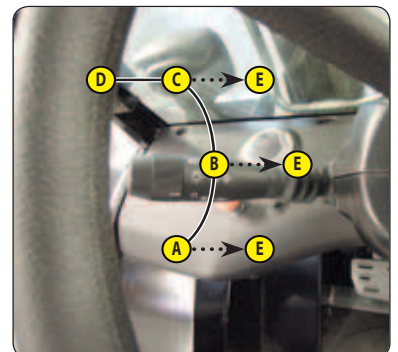


20 - LIGHTING, HORN AND INDICATOR CONTROL (option)

ROAD LIGHTS

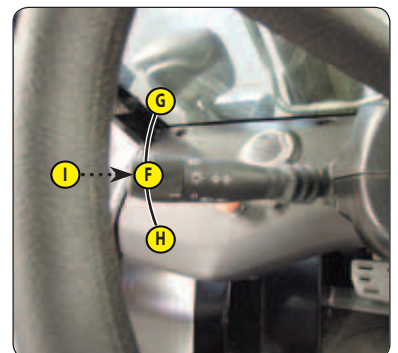
The road lights can be used without the ignition key.

- A - Off.
- B - Front and rear side lights.
- C - Dipped beam headlights.
- D - Main beam headlights.
- E - Headlight flashing (pulsing).



INDICATOR LIGHTS AND SOUND ALARM

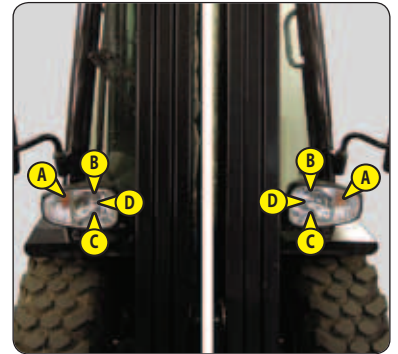
- F - Off.
- G - Right indicator lights.
- H - Left indicator lights.
- I - Sound alarm (pulsing).



21 - ROAD LIGHTS (option)

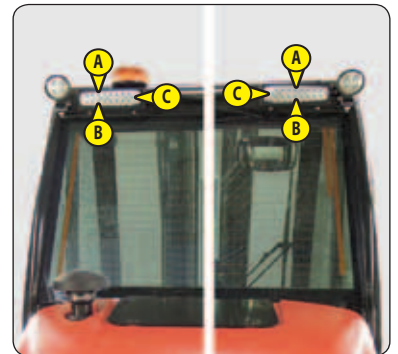
FRONT HEADLIGHTS

- A - Indicator lights.
- B - Dipped beam headlights.
- C - Main beam headlights.
- D - Side lights.



REAR LIGHTS

- A - Indicator lights.
- B - Stop lights.
- C - Side lights.



22 - WORKING LIGHTS (option)

23 - ROTATING BEACON LIGHT (option)

24 - INSIDE REAR-VIEW MIRROR

25 - OUTSIDE MIRRORS (option)

26 - MOTOR COVER PANEL

NOTE: Cab option, open the side doors before opening the engine cover.

To open the engine cover:

- Fold the backrest onto the seat.
- Move the seat forward as far as possible.
- Press button 1 and raise the cover using handle 2.
- Gain access to the engine compartment to service the lift truck, as well as to the fuses and relays.



27 - BATTERY COVER

- Turn control knob 1.
- Remove battery cover 2.





28 - FUSES AND RELAYS

- Open the engine cover (CONTROL AND COMMAND INSTRUMENTS).
- Remove air filter cover 1 and the cartridge.
- Loosen the screws and remove cover 2 from the fuse and relay box.

FUSES

⚠ IMPORTANT ⚠

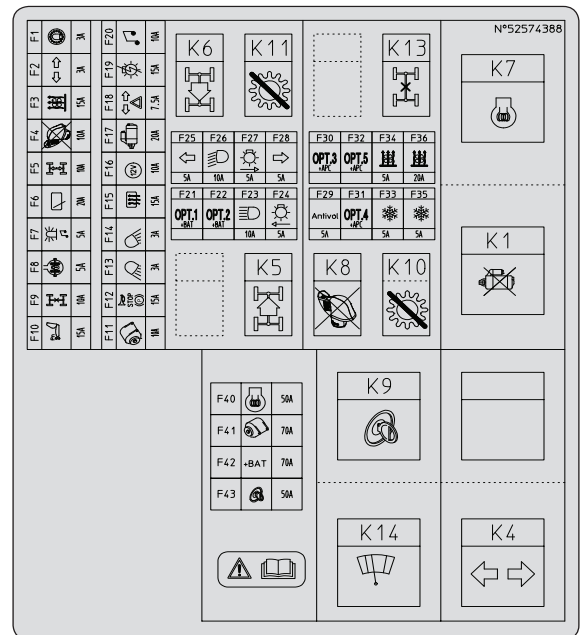
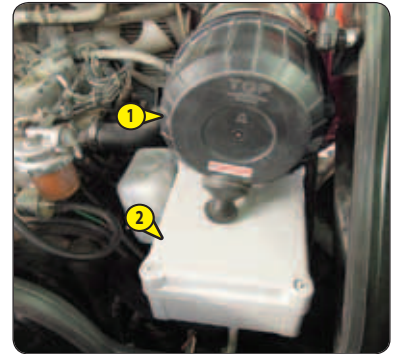
Replace the faulty fuse with a new fuse with the same rating.

Control fuses

- F1 - Control panel (3A).
- F2 - OPTION Indicator lights (3A).
- F3 - OPTION Ventilation/heating (15A).
- F4 - ISO3691 hydraulic movement cut-off (10A).
- F5 - Forward/neutral/reverse gear selection (10A).
OPTION Reversing light (10A).
OPTION Reversing sound alarm (10A).
- F6 - OPTION Front/rear windscreen wiper + washer (20A).
- F7 - OPTION Rotating beacon light (5A).
- F8 - Differential lock (5A). *Only for MC18-4*
- F9 - Transmission and brake module (10A).
4WD -> 2WD (10A). *Only for MC18-4*
- F10 - OPTION Pneumatic seat (15A).
- F11 - Alternator (10A).
- F12 - Parking brake (15A).
Sound alarm (15A).
OPTION Stop switch (15A).
- F13 - OPTION Front working lights (3A).
- F14 - OPTION Rear working lights (3A).
- F15 - OPTION Rear window de-icing (15A).
- F16 - 12V connector (10A).
- F17 - Starter (20A).
- F18 - OPTION Hazard warning lights (7.5A).
- F19 - OPTION Road lights control (15A).
- F20 - OPTION Car radio (10A).
- F21 - OPTION 1 (+) Permanent.
- F22 - OPTION 2 (+) Permanent.
- F23 - OPTION Main headlights (10A).
- F24 - OPTION Left sidelights (5A).
- F25 - OPTION Left indicator lights (5A).
- F26 - OPTION Dipped headlights (10A).
- F27 - OPTION Right sidelights (5A).
- F28 - OPTION Right indicator lights (5A).
- F29 - OPTION Anti-theft device (5A).
- F30 - OPTION 3 (+) After ignition key.
- F31 - OPTION 4 (+) After ignition key.
- F32 - OPTION 5 (+) After ignition key.
- F33 - OPTION Ventilation/heating control lights (5A).
- F34 - OPTION Heating/air conditioning unit (5A).
- F35 - OPTION Air conditioning compressor (5A).
- F36 - OPTION Air conditioning condenser (20A).

Power fuses

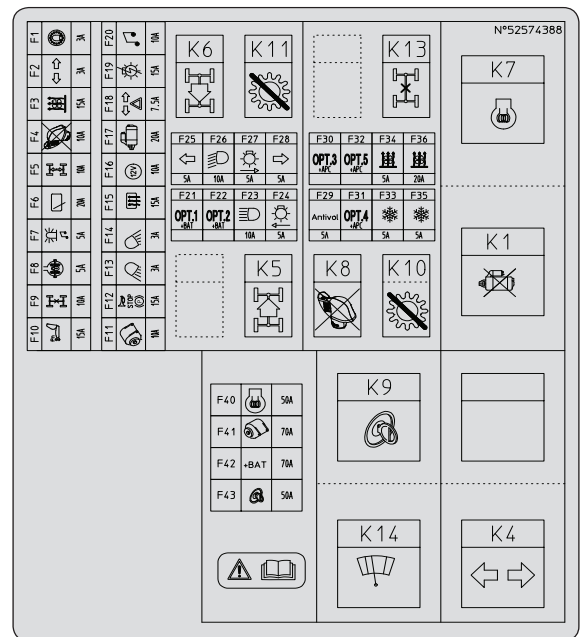
- F40 - Engine preheating (50A).
- F41 - Alternator (70A).
- F42 - (+) Permanent (70A).
- F43 - General power supply (50A).





RELAYS

- K1 - Ignition safety.
- K4 - OPTION Flashing unit.
- K5 - Forward gear.
- K6 - Reverse gear.
- K7 - Engine preheat.
- K8 - Hydraulic movement cut-off ISO3691.
- K9 - General power supply.
- K10 - Transmission cut-off on brake pedal.
- K11 - Braking.
- K13 - OPTION 4WD -> 2WD.
- K14 - OPTION Wipers.



29 - HEATER CONTROL (option)

- Turn control knob 1 to set the desired fan speed.
- Turn control knob 2 to set the desired temperature.



30 - HEATING VENTS (option)

- Push ventilator flap 1 so that it is positioned in the desired direction.



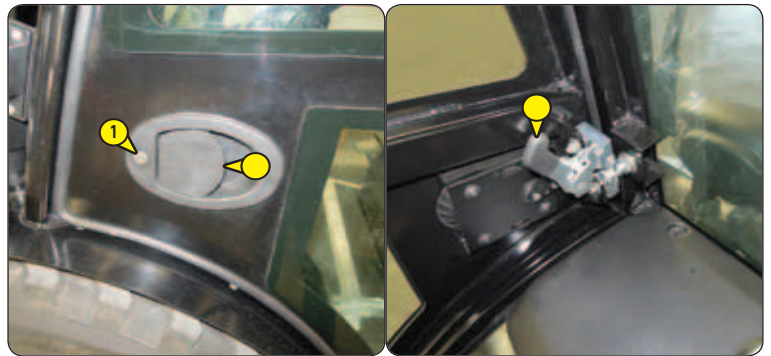
31 - BATTERY CUT-OFF

Enables the battery to be rapidly cut off from the electric circuit in the event of a short circuit or a fire.



32 - DOOR OPENING HANDLES (option)

- Insert the ignition key into keyhole 1 to lock the lift truck.



33 - DOOR RELEASE SWITCHES (option)

- Pull on handle 1 to release and close the door.



34 - SLIDING WINDOWS (option)

- Press latch 1 and pull back the sliding window.





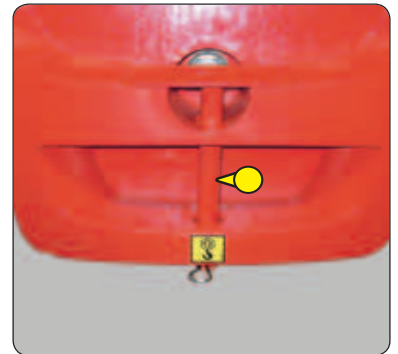
SLINGING AND SECURING PIN

⚠ IMPORTANT ⚠

This lift truck is not intended for use with a trailer.

This device is used only for slinging and securing the lift truck (⚠ 3 - MAINTENANCE: OCCASIONAL OPERATION).

IF NECESSARY, CONSULT YOUR DEALER.





3 - MAINTENANCE



3 - MAINTENANCE

ORIGINAL MANITOU SPARE PARTS AND EQUIPMENT	3-3
FORKLIFT TRUCK MAINTENANCE	3-4
DAILY AND WEEKLY MAINTENANCE	3-4
MANDATORY FIRST 500 HOURS OR 6 MONTHS SERVICE	3-5
PERIODIC MAINTENANCE	3-6
OCCASIONAL MAINTENANCE AND OPERATION	3-8
FILTERS CARTRIDGES AND BELTS	3-9
LUBRICANTS AND FUEL	3-10
➡ 10H - DAILY MAINTENANCE OR EVERY 10 HOURS OF SERVICE	3-12
➡ 50H - WEEKLY MAINTENANCE OR EVERY 50 HOURS OF SERVICE	3-14
➡ ① 500H - PERIODIC MAINTENANCE - EVERY 500 HOURS OF SERVICE	3-20
➡ ② 1000H - ROUTINE MAINTENANCE - EVERY 1000 HOURS OF SERVICE OR 2 YEARS	3-24
➡ ③ 2000H - PERIODIC MAINTENANCE - EVERY 2000 HOURS OF SERVICE OR 4 YEARS	3-28
➡ OCCASIONAL MAINTENANCE	3-32
➡ OCCASIONAL OPERATION	3-36



ORIGINAL MANITOU SPARE PARTS AND EQUIPMENT

OUR LIFT TRUCKS MUST BE SERVICED USING ORIGINAL MANITOU PARTS.

BY ALLOWING THE USE OF NON ORIGINAL MANITOU PARTS, YOU RISK:

⚠ IMPORTANT ⚠

THE USE OF COUNTERFEIT PARTS OR COMPONENTS NOT APPROVED BY THE MANUFACTURER, WILL CAUSE YOU TO LOSE THE BENEFIT OF THE CONTRACTUAL GUARANTEE.

- Legally - to be held responsible in the event of an accident.
- Technically - to cause operating malfunctions or shorten the life of the lift truck.

BY USING ORIGINAL MANITOU PARTS FOR MAINTENANCE OPERATIONS, YOU BENEFIT FROM OUR KNOW-HOW

Through its network, MANITOU provides the user with,

- Know-how and competence.
- The guarantee of high-quality work.
- Original replacement parts.
- Help with preventive maintenance.
- Efficient help with diagnosis.
- Improvements due to experience feedback.
- Operator training.
- Only the MANITOU network has detailed knowledge of the design of the lift truck and therefore the best technical ability to provide maintenance.

⚠ IMPORTANT ⚠

ORIGINAL REPLACEMENT PARTS ARE DISTRIBUTED ONLY BY MANITOU AND THE DEALER NETWORK.

The list of dealers is available on the MANITOU website

www.manitou.com



FORKLIFT TRUCK MAINTENANCE

DAILY AND WEEKLY MAINTENANCE

⚠ IMPORTANT ⚠

THE OPERATOR IS AUTHORISED TO CARRY OUT THIS MAINTENANCE.

These maintenance operations enable the operator to maintain the lift truck in a clean and safe condition.

MANDATORY FIRST 500 HOURS OR 6 MONTHS SERVICE

⚠ IMPORTANT ⚠

THIS SERVICE MUST BE CARRIED OUT AFTER THE FIRST 500 HOURS OF SERVICE OR WITHIN THE 6 MONTHS FOLLOWING THE START-UP OF THE MACHINE (WHICHEVER OCCURS FIRST).

PERIODIC MAINTENANCE

⚠ IMPORTANT ⚠

THE PERIODIC MAINTENANCE MUST BE CARRIED OUT BY A PROFESSIONAL APPROVED BY THE MANITOU NETWORK.

MAINTENANCE SCHEDULE

This schedule enables the operator to keep up with the periodic maintenance of the lift truck by notifying the total number of hours of operation and the date of the service performed by the professional approved by the MANITOU network.

OCCASIONAL MAINTENANCE AND OPERATION

These maintenance tasks and operations are to be performed as required for the safety and upkeep of the lift truck.

DAILY AND WEEKLY MAINTENANCE

🔄 10H - DAILY MAINTENANCE OR EVERY 10 HOURS OF SERVICE

- CHECK	Lift truck environment	3-12
- CHECK	Engine oil level	3-12
- CHECK	Coolant level	3-13
- CHECK	Fuel level	3-13
- CLEAN	Cyclonic pre-filter (option)	3-13

🔄 50H - WEEKLY MAINTENANCE OR EVERY 50 HOURS OF SERVICE

- CHECK	Alternator/fan/crankshaft belt tension	3-14
- CHECK	Tyre pressures	3-14
- CHECK	Wheel nut torques	3-14
- CHECK	Hydraulic oil level	3-15
- CHECK	Washer fluid level (option)	3-15
- CHECK - ADJUST	Tension and alignment of the mast lifting chains	3-15
- CLEAN	Radiator core	3-16
- CLEAN	fuel pre-filter	3-16
- CLEAN/CHECK	Dry air filter cartridge	3-17
- GREASE	General greasing	3-18
- CHECK	Hydraulic oil	3-20



MANDATORY FIRST 500 HOURS OR 6 MONTHS SERVICE

FIRST 500 HOURS BEFORE THE FIRST 6 MONTHS

- If the lift truck completes its first 500 hours of service before the first 6 months are up, carry out the mandatory service and the 500 hour periodic maintenance (↩ ⚙ 500 HOUR - PERIODIC MAINTENANCE - EVERY 500 HOURS OF SERVICE).

FIRST 6 MONTHS BEFORE THE FIRST 500 HOURS

- If the lift truck has not completed 500 hours of service in the first 6 months, just carry out the mandatory service.

➡ MANDATORY SERVICE

- CHECK	Engine oil level	3-12
- CHECK	Fuel level	3-13
- CLEAN	Cyclonic pre-filter (option)	3-13
- CHECK	Alternator/fan/crankshaft belt tension.....	3-14
- CHECK	Tyre pressures	3-14
- CHECK	Wheel nut torques.....	3-14
- CHECK	Hydraulic oil level.....	3-15
- CHECK	Washer fluid level (option)	3-15
- CHECK - ADJUST	Tension and alignment of the mast lifting chains.....	3-15
- CLEAN	Radiator core	3-16
- CLEAN	fuel pre-filter	3-16
- CLEAN/CHECK	Dry air filter cartridge.....	3-17
- GREASE	General greasing	3-18
- GREASE	Mast lifting chains	3-20
- REPLACE	Engine oil	3-20
- REPLACE	Engine oil filter	3-20
- REPLACE	Fuel filter	3-21
- REPLACE	Fuel pre-filter	3-21
- REPLACE	Alternator belt.....	3-22
- REPLACE	Hydraulic return oil filter cartridge	3-22
- CHECK	Fork wear *	3-23
- CHECK	Safety belt.....	3-24
- CHECK	Engine silent blocks *	3-26
- CHECK	Engine speeds *	3-26
- CHECK	Engine valve clearances *	3-26
- CHECK	Condition of wheels and tyres *	3-26
- CHECK	Speeds of hydraulic movements *	3-26
- CHECK	Condition of hoses and flexible pipes *	3-26
- CHECK	Condition of cylinders (leakage, rods) *	3-26
- CHECK	Condition of wiring harnesses and cables *	3-26
- CHECK	Lights and signals (option) *	3-26
- CHECK	Warning indicators *	3-26
- CHECK	Condition of the rear view mirrors *	3-26
- CHECK	Cab structure *	3-26
- CHECK	Frame structure *	3-26
- CHECK	Attachment carriage *	3-26
- CHECK	Condition of attachments *	3-26

** Consult your dealer.*



PERIODIC MAINTENANCE

MAINTENANCE SCHEDULE

WHEN DUE ➡	OR		500 H	1000 H OR 2 YEARS	1500 H OR 3 YEARS	2000 H OR 4 YEARS
	FIRST 6 MONTHS	FIRST 500 HOURS				
PERIODIC MAINTENANCE ➡	MANDATORY SERVICE	MANDATORY SERVICE + ①	①	①+②	①	①+②+③
MACHINE COUNTER ➡						
DATE OF SERVICING ➡						

WHEN DUE ➡	2500 H OR 5 YEARS	3000 H OR 6 YEARS	3500 H OR 7 YEARS	4000 H OR 8 YEARS	4500 H OR 9 YEARS	5000 H OR 10 YEARS	5500 H OR 11 YEARS
	PERIODIC MAINTENANCE ➡	①	①+②	①	①+②+③	①	①+②
MACHINE COUNTER ➡							
DATE OF SERVICING ➡							

WHEN DUE ➡	6000 H OR 12 YEARS	6500 H OR 13 YEARS	7000 H OR 14 YEARS	7500 H OR 15 YEARS	8000 H OR 16 YEARS	8500 H OR 17 YEARS	9000 H OR 18 YEARS
	PERIODIC MAINTENANCE ➡	①+②+③	①	①+②	①	①+②+③	①
MACHINE COUNTER ➡							
DATE OF SERVICING ➡							

➡ ① 500H - PERIODIC MAINTENANCE - EVERY 500 HOURS OF SERVICE

- GREASE	Mast lifting chains	3-20
- REPLACE	Engine oil	3-20
- REPLACE	Engine oil filter	3-20
- REPLACE	Fuel filter	3-21
- REPLACE	Fuel pre-filter	3-21
- REPLACE	Alternator belt	3-22
- REPLACE	Hydraulic return oil filter cartridge	3-22
- REPLACE	Cab ventilation filters (option)	3-23
- CHECK	Fork wear *	3-23

** Consult your dealer.*



➔ ② 1000H - ROUTINE MAINTENANCE - EVERY 1000 HOURS OF SERVICE OR 2 YEARS

ALSO PERFORM THE 500 HOUR PERIODIC MAINTENANCE OPERATIONS.

- CHECK	Safety belt.....	3-24
- CLEAN	Fuel tank.....	3-24
- REPLACE	Dry air filter cartridge.....	3-24
- REPLACE	Hydraulic oil.....	3-25
- REPLACE	Hydraulic oil tank filter cap.....	3-25
- CHECK	Engine silent blocks *.....	3-26
- CHECK	Engine speeds *.....	3-26
- CHECK	Engine valve clearances *.....	3-26
- CHECK	Condition of wheels and tyres *.....	3-26
- CHECK	Speeds of hydraulic movements *.....	3-26
- CHECK	Condition of hoses and flexible pipes *.....	3-26
- CHECK	Condition of cylinders (leakage, rods) *.....	3-26
- CHECK	Condition of wiring harnesses and cables *.....	3-26
- CHECK	Lights and signals (option) *.....	3-26
- CHECK	Warning indicators *.....	3-26
- CHECK	Condition of the rear view mirrors *.....	3-26
- CHECK	Cab structure *.....	3-26
- CHECK	Frame structure *.....	3-26
- CHECK	Attachment carriage *.....	3-26
- CHECK	Condition of attachments *.....	3-26

** Consult your dealer.*

➔ ③ 2000H - PERIODIC MAINTENANCE - EVERY 2000 HOURS OF SERVICE OR 4 YEARS

ALSO PERFORM THE 500 HOUR AND 1000 HOUR PERIODIC MAINTENANCE OPERATIONS.

- CHECK	Wheel nut tightening torques.....	3-28
- REPLACE	Dry air filter safety cartridge.....	3-28
- REPLACE	Coolant.....	3-28
- CHECK	Injection pump *.....	3-29
- CHECK	Injectors *.....	3-29
- CHECK	Radiator *.....	3-29
- CHECK	Water pump and thermostat *.....	3-29
- CHECK	Alternator and starter *.....	3-29
- CHECK	Hydrostatic transmission circuit pressures *.....	3-29
- CHECK	Hydrostatic transmission control flow *.....	3-29
- CHECK	Hydrostatic transmission / accelerator cut-off operation *.....	3-29
- CHECK	Steering *.....	3-30
- CHECK	Swivel pins (MC 18-2).....	3-30
- CHECK	Wheel reduction gear pivots (MC 18-4).....	3-30
- CHECK	Rear axle *.....	3-30
- CHECK	Disc brake wear on wheel motors *.....	3-30
- CHECK	Condition of boom assembly *.....	3-30
- CHECK	Mast lifting chains *.....	3-30
- CHECK	Mast lifting chain pulleys *.....	3-30
- CHECK	Mast guide rollers *.....	3-30
- CHECK	Mast bearing rollers *.....	3-30
- CHECK	Thickness of the mast wearing plates *.....	3-30
- CHECK	Hydraulic circuit pressures *.....	3-30
- CHECK	Hydraulic circuit flow rates *.....	3-30
- CHECK	Bearings and bushings *.....	3-30
- CLEAN/CHECK	Hydraulic oil tank and strainer *.....	3-30

** Consult your dealer.*



OCCASIONAL MAINTENANCE AND OPERATION

↻ OCCASIONAL MAINTENANCE

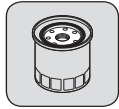
- CLEAN	Engine compartment	3-32
- CLEAN	Inside of chassis	3-32
- REPLACE	Wheels	3-32
- REPLACE	Battery	3-33
- BLEED	Fuel supply system	3-34
- ADJUST	Front headlights	3-34

↻ OCCASIONAL OPERATION

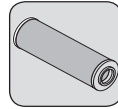
- TOW	Lift truck	3-36
- SLING	Lift truck	3-37
- TRANSPORT	Lift truck	3-37

FILTERS CARTRIDGES AND BELTS

➔ ① 500H - PERIODIC MAINTENANCE - EVERY 500 HOURS OF SERVICE



ENGINE OIL FILTER
Part number: 749613



HYDRAULIC RETURN OIL FILTER CARTRIDGE
Part number: 52555157



FUEL FILTER CARTRIDGE
Part number: 781909



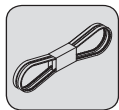
INTERIOR CAB VENTILATION FILTER (option)
Part number: 52565018



FUEL PRE-FILTER CARTRIDGE
Part number: 942722



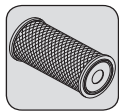
EXTERIOR CAB VENTILATION FILTER (option)
Part number:



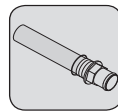
ALTERNATOR BELT
Part number: 895489

➔ ② 1000H - ROUTINE MAINTENANCE - EVERY 1000 HOURS OF SERVICE OR 2 YEARS

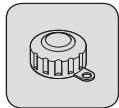
ADD FILTER ELEMENTS OF PERIODIC MAINTENANCE OF 500 HOURS OF SERVICE.



DRY AIR FILTER CARTRIDGE
Part number: 227959



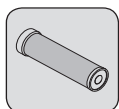
SUCTION STRAINER FOR HYDRAULIC OIL TANK
Part number: 52550828



FILTER CAP FOR HYDRAULIC FLUID TANK
Part number: 62415

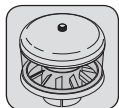
➔ ③ 2000H - PERIODIC MAINTENANCE - EVERY 2000 HOURS OF SERVICE OR 4 YEARS

ADD FILTER ELEMENTS OF PERIODIC MAINTENANCE OF 500 HOURS AND 1000 HOURS OF SERVICE.

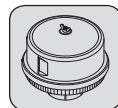


SAFETY DRY AIR FILTER CARTRIDGE
Part number: 227960

➔ OCCASIONAL MAINTENANCE



CYCLONIC PRE-FILTER (option)
Part number: 52566556



SELF-CLEANING PRE-FILTER (option)
Part number: 52566557



LUBRICANTS AND FUEL

⚠ IMPORTANT ⚠

USE THE RECOMMENDED LUBRICANTS AND FUEL:

- For topping up, oils may not be miscible.

- For oil changes, MANITOU oils are perfectly appropriate.

DIAGNOSTIC ANALYSIS OF OILS

If a service or maintenance contract has been organized with the dealer, a diagnostic analysis of engine, transmission and axle oils may be requested depending on the rate of use.

(*) REQUIRED FUEL SPECIFICATION

Use a high-quality fuel to obtain optimal performance of the engine.

- EN590 diesel fuel (sulphur content < 10 ppm).
- ASTM D975 diesel fuel (sulphur content < 15 ppm).

RECOMMENDATION

ENGINE		RECOMMENDATION										
PARTS TO BE LUBRICATED	CAPACITY	-40°C	-30	-20	-10	0	+10	+20	+30	+40	+50°C	
ENGINE	6 Litres	0W30										
		0W40										
		5W30										
		5W40										
		10W30										
		MANITOU PREMIUM OIL 15W40 API CI4										
20W50												
COOLING CIRCUIT	Litres	COOLING LIQUID -35°C										
FUEL TANK	71 Litres	DIESEL OIL *										
MAST		RECOMMENDATION										
PARTS TO BE LUBRICATED	CAPACITY	-40°C	-30	-20	-10	0	+10	+20	+30	+40	+50°C	
MAST LIFTING CHAINS		MANITOU SPECIAL CHAINS LUBRICANT										
GREASING OF THE MAST		MANITOU BLACK MULTI-PURPOSE LUBRICANT										
HYDRAULICS		RECOMMENDATION										
PARTS TO BE LUBRICATED	CAPACITY	-40°C	-30	-20	-10	0	+10	+20	+30	+40	+50°C	
HYDRAULIC OIL TANK	66 Litres	ISO VG 100										
		ISO VG 68										
		MANITOU ISO VG 46 HYDRAULIC OIL										
		ISO VG 37										
		ISO VG 32										
OVERHEAD GUARD		RECOMMENDATION										
PARTS TO BE LUBRICATED	CAPACITY	RECOMMENDATION										
WINDSCREEN WASHER TANK	2 Litres	WINDSCREEN WASHER LIQUID										
REAR AXLE MC 18-2		RECOMMENDATION										
PARTS TO BE LUBRICATED	CAPACITY	-40°C	-30	-20	-10	0	+10	+20	+30	+40	+50°C	
SWIVEL PINS		MANITOU BLUE MULTI-PURPOSE LUBRICANT										
REAR AXLE MC 18-4		RECOMMENDATION										
PARTS TO BE LUBRICATED	CAPACITY	-40°C	-30	-20	-10	0	+10	+20	+30	+40	+50°C	
WHEEL REDUCTION GEAR PIVOTS		MANITOU BLUE MULTI-PURPOSE LUBRICANT										



PACKAGING

OIL						
PRODUCT	PACKAGING / PART NO.					
	1 LITRE	2 LITRES	5 LITRES	20 LITRES	55 LITRES	209 LITRES
- MANITOU PREMIUM OIL 15W40 API C14			895831	895832	895833	895834
- MANITOU ISO VG 46 HYDRAULIC OIL			545500	582297	546108	546109
- MANITOU SAE80W90 MECHANICAL TRANSMISSION OIL		499237	720184	546330	546221	546220

GREASE						
PRODUCT	PACKAGING / PART NO.					
	400 ML	400 GR	1 KG	5 KG	20 KG	50 KG
- MANITOU BLACK MULTI-PURPOSE LUBRICANT		947766	161590			499235
- MANITOU BLUE MULTI-PURPOSE LUBRICANT		161589	720683	554974	499233	489670
- MANITOU SPECIAL CHAINS LUBRICANT	554271					

LIQUID						
PRODUCT	PACKAGING / PART NO.					
	1 LITRE	2 LITRES	5 LITRES	20 LITRES	55 LITRES	210 LITRES
- COOLING LIQUID -35°C			894967	894968		894969
- WINDSCREEN WASHER LIQUID	490402		486424			

➔ **10H - DAILY MAINTENANCE OR EVERY 10 HOURS OF SERVICE**

CHECK

Lift truck environment

⚠ IMPORTANT ⚠

Follow the operator instructions (➔ 1 - OPERATING AND SAFETY INSTRUCTIONS: OPERATOR INSTRUCTIONS).

- Carry out a general inspection around the lift truck:
 - Fluid leaks or stains on the ground.
 - Additional objects on the lift truck and in the overhead guard or cab.
 - Mounting and adjustment of lights and rear-view mirrors.
 - Mounting and locking of the attachment.
 - Condition of the tyres, to detect cuts, blisters, wear, etc.
- According to the conditions of use and the environment, ensure that the forklift truck is kept in a clean condition:
 - Cleanliness of lights, rear-view mirrors, windcreens and driver's operating.
 - Cleanliness of engine housing and interior of chassis (➔ OCCASIONAL MAINTENANCE) to prevent the potential accumulations of material or leakages (e.g. straw, flour, sawdust, organic waste, etc.).

⚠ IMPORTANT ⚠

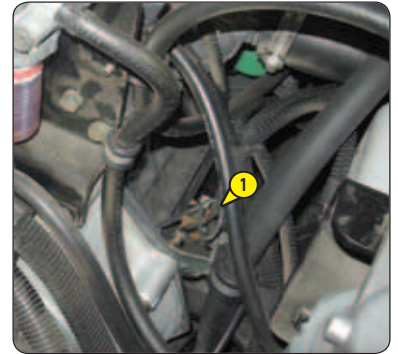
Particular attention should be paid to accumulations of flammable materials and fuel or lubricant leaks, as these significantly increase the risk of fire outbreaks.

CHECK

Engine oil level

Place the lift truck on level ground with the engine stopped, and let the oil settle in the sump.

- Open the engine cover (➔ 2 - DESCRIPTION: CONTROL AND COMMAND INSTRUMENTS).
- Pull out dipstick 1.
- Clean the dipstick and check the correct level between the two notches.
- If necessary, add oil (➔ LUBRICANTS AND FUEL).
- Remove the cover plate 2.
- Add oil through filler port 3.
- Visually check that there is no leakage or seepage of oil in the engine.



CHECK

Coolant level

Place the lift truck on level ground with the engine stopped, and allow the engine to cool.

⚠ IMPORTANT ⚠

To avoid any risk of spraying or burning, wait until the engine has cooled down before removing the cooling circuit filler plug.

If the coolant is very hot, add only hot liquid (80 °C).

In an emergency, you can use water as a coolant, then change the coolant as quickly as possible (⚠ 3 - MAINTENANCE: DRAINING COOLANT).

- Open the engine cover (⚡ 2 - DESCRIPTION: CONTROL AND COMMAND INSTRUMENTS).
- The liquid must be at the MAXIMUM level on the expansion tank 1.
- If necessary, add coolant (⚡ LUBRICANTS AND FUEL).
- Add coolant via filler port 2.
- Visually check that there is no leakage in the radiator and pipes.



CHECK

Fuel level

As far as possible, keep the fuel tank well filled in order to minimize condensation due to the atmospheric conditions.

- Remove cap 1.
- Fill the fuel tank with clean fuel (⚡ LUBRICANTS AND FUEL), filtered through a strainer or a clean, lint free cloth, through filler port 2.
- Put the cap 1 back.
- Visually check that there is no leakage in the tank and pipes.

⚠ IMPORTANT ⚠

*Never smoke or approach with a flame during filling operations or when the tank is open.
Never refill while the engine is running.*

The fuel tank is degassed via the filler plug.

When changing it, always use an original part, with degassing hole.



CLEAN

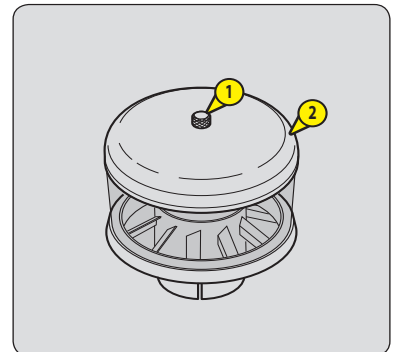
Cyclonic pre-filter (option)

The cleaning interval is given as a guide, however the pre-filter must be emptied and cleaned as soon as impurities reach the MAX level on the tank.

⚠ IMPORTANT ⚠

When cleaning, take care not to let impurities into the dry air filter.

- Loosen nut 1 remove cover 2 and empty the tank.
- Clean the pre-filter unit with a clean dry cloth and reassemble the unit.



➔ 50H - WEEKLY MAINTENANCE OR EVERY 50 HOURS OF SERVICE

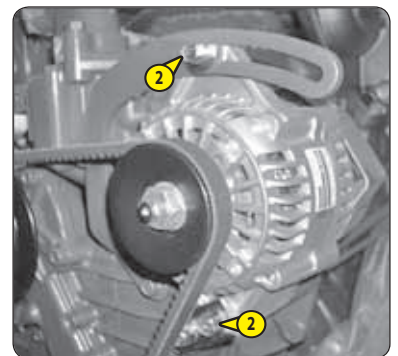
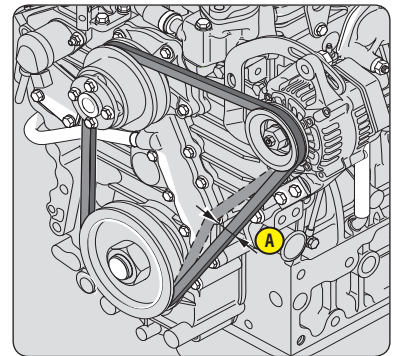
CHECK

Alternator/fan/crankshaft belt tension

⚠ IMPORTANT ⚠

If the compressor belt has to be changed, check the tension again after the first 20 hours of operation.

- Open the engine cover (➔ 2 - DESCRIPTION: CONTROL AND COMMAND INSTRUMENTS).
- Remove the cover plate 1.
- Check the belt for signs of wear and cracks, and change if necessary (➔ FILTERS CARTRIDGES AND BELTS).
- Check the belt tension between the crankshaft and alternator pulleys.
- Under normal pressure applied by the thumb (98 N), belt movement A should be between 7 and 9 mm.
- Adjust if necessary.
- Loosen screws 2 by two to three turns.
- Swivel the alternator assembly so as to obtain the required belt tension.
- Retighten screws 2 (tightening torque 22 N.m).



CHECK

Tyre pressures

CHECK

Wheel nut torques

⚠ IMPORTANT ⚠

*Check that the air hose is correctly connected to the tyre valve before inflating and keep all persons at a distance during inflation.
Inflate to the recommended tyre pressures.*

- Check the torque load of the wheel nuts. Non-compliance with this instruction can lead to damage and failure of the wheel bolts and distortion of the wheels.
- Check and restore tyre pressures if necessary (➔ 2 - DESCRIPTION: TYRES).

NOTE: There is an OPTIONAL wheel tool kit.

CHECK

Hydraulic oil level

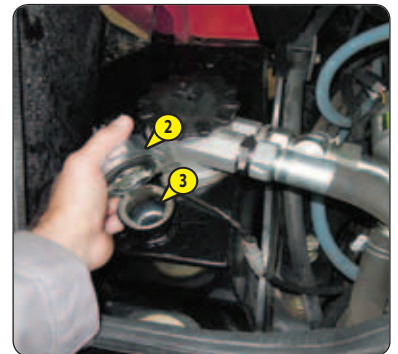
Place the lift truck on level ground with the engine stopped, and the boom retracted and lowered as far as possible.

⚠ IMPORTANT ⚠

Use a clean funnel and clean the underside of the oil drum before filling.

- Refer to the dipstick 1.
- The oil level is correct when it is at the level of the red point.
- Visually check that there is no leakage in the tank and pipes.
- If necessary, add oil (☞ LUBRICANTS AND FUEL).
- Open the engine cover (☞ 2 - DESCRIPTION: CONTROL AND COMMAND INSTRUMENTS).
- Remove cap 2.
- Add oil through filler port 3.
- Visually check that there is no leakage in the tank and pipes.

Always maintain the oil level at maximum as cooling depends on the oil flowing through the tank.



CHECK

Washer fluid level (option)

- Open the engine cover (☞ 2 - DESCRIPTION: CONTROL AND COMMAND INSTRUMENTS).
- Visually check the level.
- If necessary, add windscreen washer fluid (☞ LUBRICANTS AND FUEL) through filler port 1.



CHECK - ADJUST

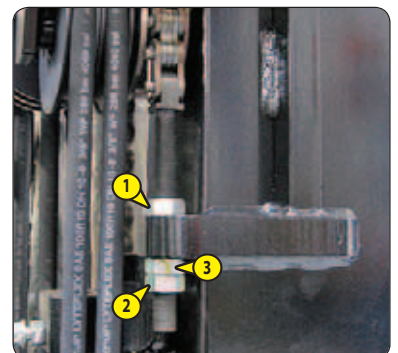
Tension and alignment of the mast lifting chains

Position the lift truck on level ground with the mast in a vertical position and the forks lifted approximately 200 mm.

⚠ IMPORTANT ⚠

*These checks are important for the good working operation of the mast.
In case of technical faults, consult your dealer.*

- Check the alignment of the mast lifting chains between the carriage chain fasteners and the chain rollers.
- Manually verify the chain tension and, if necessary, adjust as indicated below while ensuring that the carriage is perpendicular to the mast.
- Loosen nut 1.
- Loosen the chain tensioner lock nut 2.
- Adjust the tension by tightening or loosening the nut 3 while checking the alignment of the lifting chains.
- Then tighten lock nut 2 and nut 3.
- Re-tighten the nut 1.



CLEAN

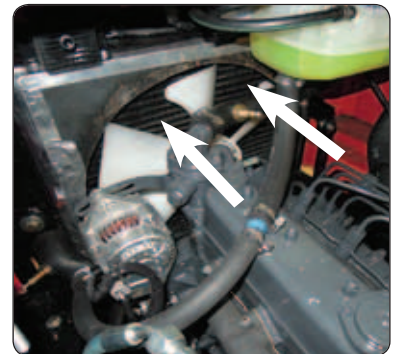
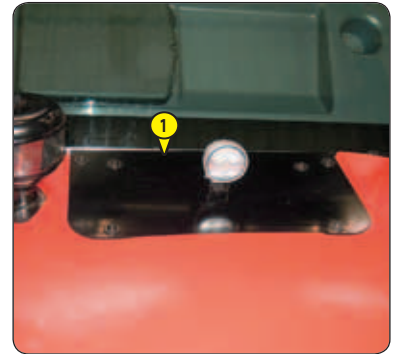
Radiator core

⚠ IMPORTANT ⚠

In a polluting atmosphere, clean the radiator cores every day.

Do not use a water jet or high-pressure steam as this could damage the radiator fins.

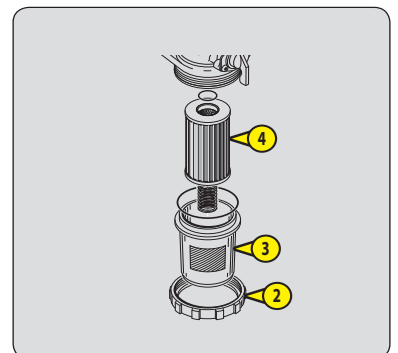
- Open the engine cover (↖ 2 - DESCRIPTION: CONTROL AND COMMAND INSTRUMENTS).
- Remove the cover plate 1.
- Using a soft cloth, clean the core in order to remove as much dirt as possible.
- Clean the radiator using a compressed air jet aimed from the engine towards the radiator, in the opposite direction to the cooling air flow.



CLEAN

fuel pre-filter

- Switch off the lift truck's ignition.
- Open the engine cover (↖ 2 - DESCRIPTION: CONTROL AND COMMAND INSTRUMENTS).
- Carefully clean the outside of the filter and its holder, to prevent dust from getting into the system.
- Close the fuel valve 1 by setting to OFF position.
- Unscrew the retaining ring 2, remove the housing 3 and clean the inside using a brush immersed in clean diesel oil.
- Remove the cartridge filter 4 and dip in diesel oil to rinse.
- Clean the inside of the filter head using a brush immersed in clean diesel oil.
- Refit the unit.
- Tighten the ring by hand pressure only and lock with a quarter turn
- Open the fuel valve 1 by setting to ON position.
- Bleed the fuel supply system (↖ OCCASIONAL MAINTENANCE).





CLEAN/CHECK

Dry air filter cartridge

For very dusty atmospheres, there are pre-filtration elements (FILTERS, CARTRIDGES AND BELTS).

In very dusty atmospheres, with pre-filtration, the cartridge replacement interval must be reduced to 250 hours.

⚠ IMPORTANT ⚠

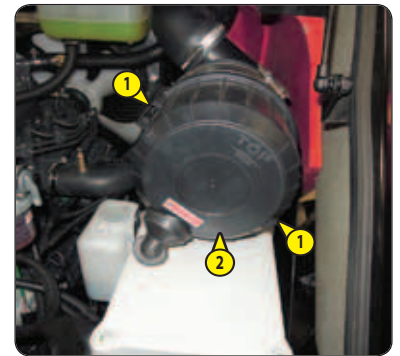
*If the clogging indicator light comes on, this operation must be carried out as quickly as possible (1 hour maximum).
The cartridge must not be cleaned more than seven times, after which it must be replaced.
Never use the lift truck without an air filter or with a damaged air filter.*

- Open the engine cover (2 - DESCRIPTION: CONTROL AND COMMAND INSTRUMENTS).
- Release the locks 1 and remove the cover 2.
- Gently remove the cartridge 3 taking care to avoid spilling the dust.
- Leave the safety cartridge in place.
- Using a compressed air jet (max. 3 bar), clean the filter cartridge from the top to the bottom and from the inside towards the outside, maintaining a minimum safety distance of 30 mm to avoid damaging the cartridge. Cleaning is completed when there is no more dust escaping from the cartridge.

⚠ IMPORTANT ⚠

*The cartridge must not be blown anywhere near the air filter box.
Never clean the cartridge by tapping it against a hard surface.
Never wash the dry air filter cartridge.
Never clean the air filter security cartridge; replace it with a new one if it is dirty or damaged.*

- Clean the cartridge seal surfaces with a damp, clean lint-free cloth and grease with a silicone lubricant (MANITOU part no.: 479292).
- Check visually the outer condition of the air filter and its attachments.
- Check also the condition of the hoses and their attachments.



GREASE

General greasing

To be carried out weekly, if the lift truck has been operated for less than 50 hours during the week.

⚠ IMPORTANT ⚠

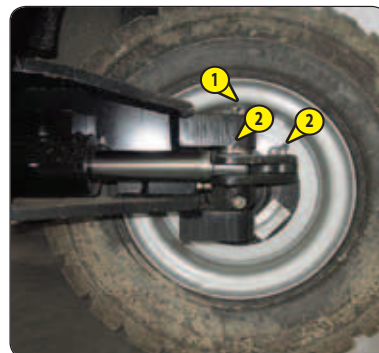
In the event of prolonged use in an extremely dusty or oxidizing atmosphere, reduce this interval to every 10 hours of service or every day.

- Clean, then lubricate the following points with grease (⚠ LUBRICANTS AND FUEL) and remove the surplus of grease.

REAR AXLE

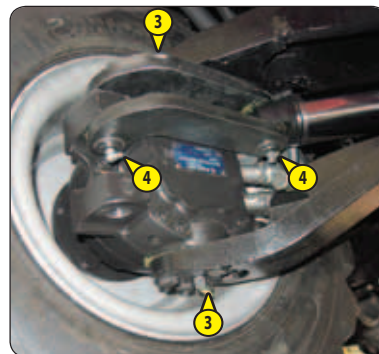
MC 18-2

- 1 - Swivel pin lubricators (2 lubricators).
- 2 - Steering rod lubricators (4 lubricators).



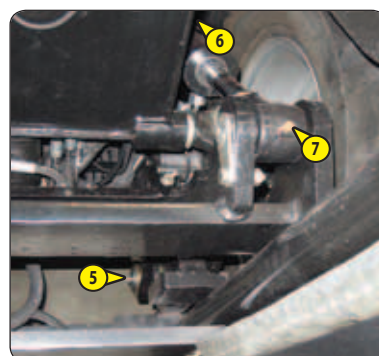
• MC 18-4

- 3 - Lubricators of the pivot of wheel motor (4 lubricators).
- 4 - Steering rod lubricators (4 lubricators).



MAST

- 5 - Articulation axles at the foot of the mast (2 lubricators).
- 6 - Tilt cylinder foot axles (2 lubricators).
- 7 - Tilt cylinder head axles (2 lubricators).



CAB DOORS (OPTION)

- 8 - Cab door articulation axles (8 lubricators).





➔ 500H - PERIODIC MAINTENANCE - EVERY 500 HOURS OF SERVICE

GREASE

Mast lifting chains

- Wipe the mast lifting chains with a clean, lint-free cloth
- Vigorously brush the chains to get rid of any foreign matter, with a hard nylon brush and clean diesel fuel.
- Rinse the chains by means of a paint brush impregnated with clean diesel fuel and dry them with a compressed air jet.
- Carefully check each chain for any signs of wear.

⚠ IMPORTANT ⚠

In case of technical faults, consult your dealer.

- Grease the chains sparingly (⚡ LUBRICANTS AND FUEL).



REPLACE

Engine oil

REPLACE

Engine oil filter

⚠ IMPORTANT ⚠

Dispose of the drain oil in an ecological manner.

- Place the lift truck on level ground, let the engine run at idle for a few minutes, then stop the engine.
- Open the engine cover (⚡ 2 - DESCRIPTION: CONTROL AND COMMAND INSTRUMENTS).
- Remove the cover plate 1.
- Clean the areas around the plugs and oil filter.



DRAINING THE OIL

- Place a container under drain port 2 and unscrew the plug.
- Remove the filler plug 3 to ensure that the oil is drained properly.

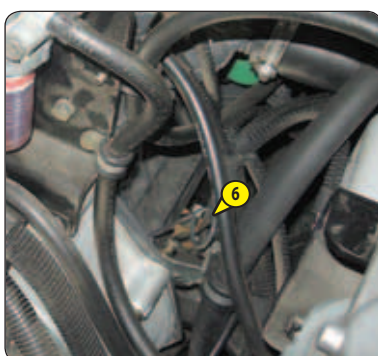
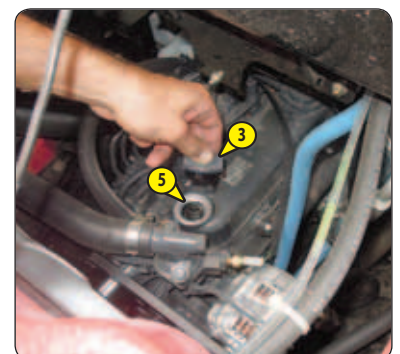
REPLACEMENT OF THE FILTER

- Unscrew and discard the engine oil filter 4, together with its seal.
- Clean the filter holder with a clean, lint-free cloth.
- Lightly lubricate the seal before refitting the new oil filter (⚡ FILTERS, CARTRIDGES AND BELTS) on its support (tightening torque 15-17 N.m).



FILLING WITH OIL

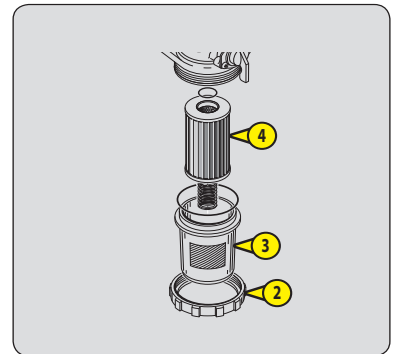
- Refit and tighten the drain plug 2 (tightening torque 30 to 40 N.m).
- Fill up with oil (⚡ LUBRICANTS AND FUEL) through filler port 5.
- Wait a few minutes to allow the oil to flow into the sump.
- Start the engine and let it run for a few minutes.
- Check for possible leaks from the drain plug and the oil filter.
- Stop the engine; wait a few minutes
- Check the correct level between the two notches on dipstick 6.
- Top up the level if necessary.



REPLACE

Fuel filter

- Switch off the lift truck's ignition.
- Open the engine cover (☞ 2 - DESCRIPTION: CONTROL AND COMMAND INSTRUMENTS).
- Carefully clean the outside of the filter and its holder, to prevent dust from getting into the system.
- Close the fuel valve 1 by setting to OFF position.
- Unscrew the retaining ring 2, remove the housing 3 and clean the inside using a brush immersed in clean diesel oil.
- Remove and discard the filter cartridge 4.
- Clean the inside of the filter head using a brush immersed in clean diesel oil.
- Refit a filter and a new seal lubricated with clean diesel beforehand (☞ FILTERS CARTRIDGES AND BELTS).
- Tighten the ring by hand pressure only and lock with a quarter turn
- Open the fuel valve 1 by setting to ON position.

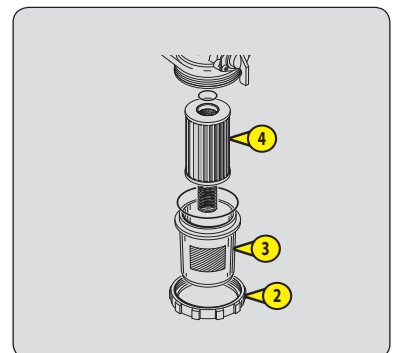


REPLACE

Fuel pre-filter

After replacing the fuel filter, replace the fuel pre-filter.

- Carefully clean the outside of the filter and its holder, to prevent dust from getting into the system.
- Close the fuel valve 1 by setting to OFF position.
- Unscrew the retaining ring 2, remove the housing 3 and clean the inside using a brush immersed in clean diesel oil.
- Remove and discard the filter cartridge 4.
- Clean the inside of the filter head using a brush immersed in clean diesel oil.
- Refit a filter and a new seal lubricated with clean diesel beforehand (☞ FILTERS CARTRIDGES AND BELTS).
- Tighten the ring by hand pressure only and lock with a quarter turn
- Open the fuel valve 1 by setting to ON position.
- Bleed the fuel supply system (☞ OCCASIONAL MAINTENANCE).



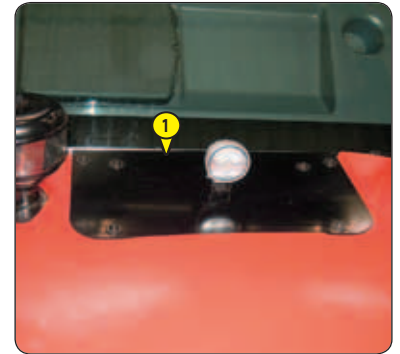
REPLACE

Alternator belt

⚠ IMPORTANT ⚠

If the alternator belt has to be changed, check the tension again after the first 20 hours of operation.

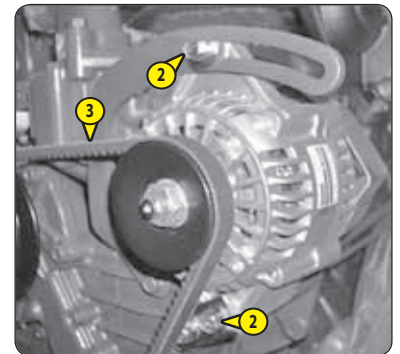
- Open the engine cover (↖ 2 - DESCRIPTION: CONTROL AND COMMAND INSTRUMENTS).
- Remove the cover plate 1.



REMOVING THE BELT

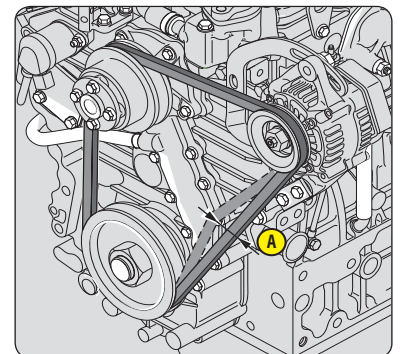
- Loosen screws 2 by two to three turns.
- Swivel the alternator assembly so as to remove alternator belt 3.

NOTE: Take advantage of belt removal to check the correct operation of the pulleys and bearings (noise, rubbing, play, etc.).



REFITTING THE BELT

- Refit a new alternator belt (↖ FILTERS CARTRIDGES AND BELTS), and ensure that it is properly seated in the grooves of each pulley.
- Adjust the belt tension between the crankshaft and alternator pulleys.
- Under pressure applied by the thumb (98 N), belt movement A should be between 7 and 9 mm.
- Retighten screws 2 (tightening torque 22 N.m).



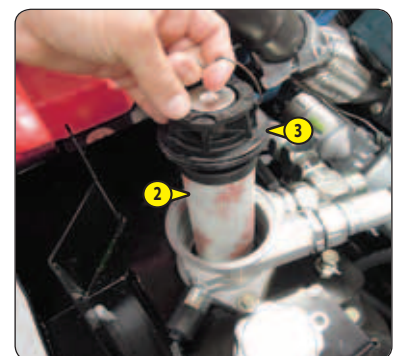
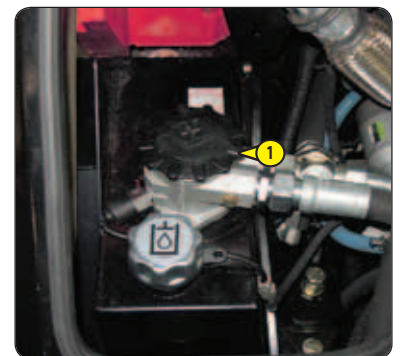
REPLACE

Hydraulic return oil filter cartridge

⚠ IMPORTANT ⚠

Do not operate the lift truck without the cartridge in place, as this would immediately damage the hydraulic transmission system, the pump and the hydrostatic wheel motors.

- Stop the engine on level ground.
- Release the pressure from the circuits by operating the hydraulic controls.
- Open the engine cover (↖ 2 - DESCRIPTION: CONTROL AND COMMAND INSTRUMENTS).
- Carefully clean the outside of the filter and the area surrounding it
- Unscrew the plug 1 with a wrench.
- Remove the hydraulic oil filter cartridge 2 from the filter head 3 and replace it with a new one (↖ MAINTENANCE: FILTERS CARTRIDGES AND BELTS).
- Refit the unit.
- Check the hydraulic oil level (↖ MAINTENANCE: 50H - WEEKLY MAINTENANCE).

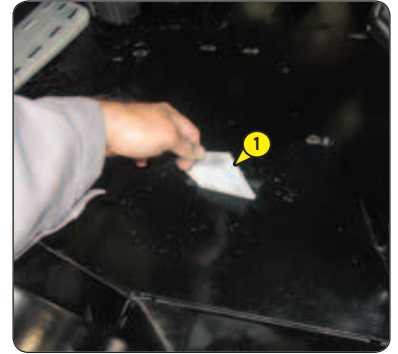


REPLACE

Cab ventilation filters (option)

EXTERNAL CAB VENTILATION FILTER

- Remove the floor mat.
- Lift out cab ventilation filter 1 and replace it with a new one (⇐ FILTERS, CARTRIDGES AND BELTS).
- Refit the floor mat.



INTERNAL CAB VENTILATION FILTER

- Remove the protective grid 2.
- Lift out cab ventilation filter 3 and replace it with a new one (⇐ FILTERS, CARTRIDGES AND BELTS).
- Refit the protective grid.



CHECK

Fork wear *

** Consult your dealer.*

🔧 1000H - ROUTINE MAINTENANCE - EVERY 1000 HOURS OF SERVICE OR 2 YEARS

ALSO PERFORM THE 500 HOUR PERIODIC MAINTENANCE OPERATIONS.

CHECK

Safety belt

⚠️ IMPORTANT ⚠️

*If the seat belt is defective (fixing, locking, cuts, tears, etc.), the lift truck must not be used.
Repair or replace the seat belt immediately.*

SEAT BELT WITH TWO ANCHORING POINTS

- Check the following points:
 - Fixing of the anchoring points on the seat.
 - Cleanness of the strap and the locking mechanism.
 - Triggering of the locking mechanism.
 - Condition of the strap (cuts, curled edges).

REELED SEAT BELT WITH TWO ANCHORING POINTS

- Check the points listed above together with the following points:
 - The correct winding of the belt.
 - Condition of the reel guards.
 - The roller locking mechanism by giving the strap a sharp tug.

CLEAN

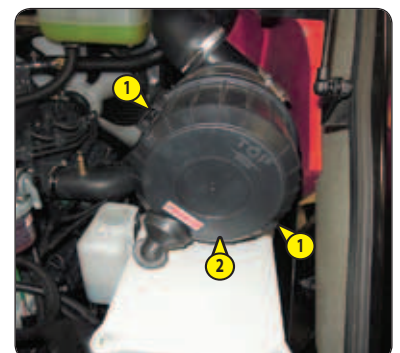
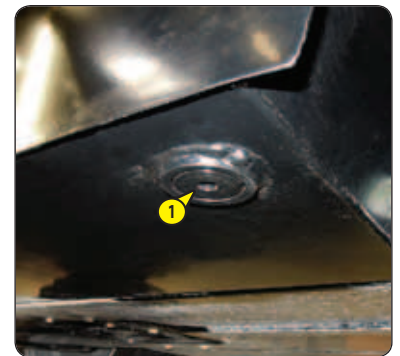
Fuel tank

⚠️ IMPORTANT ⚠️

Do not smoke or approach with a flame during this operation.

Never attempt to carry out welding or any other operation by yourself, as this could cause an explosion or a fire.

- Place the lift truck on level ground with the engine stopped.
- Check any possible leaks in the fuel system and tank.
- In the event of a leak, never carry out any welding or other operation yourself; contact your dealer.
- Place a container under drain plug 1 and unscrew the plug.
- Remove the filler plug 2 to ensure that the oil is drained properly.
- Rinse out with ten litres of clean diesel through filler port 3.
- Refit and tighten the drain plug 1 (tightening torque 29 to 39 N.m).
- Fill the fuel tank with clean, filtered diesel.
- If necessary, bleed the fuel supply system (👉 MAINTENANCE: FUEL SUPPLY SYSTEM).



REPLACE

Dry air filter cartridge

For very dusty atmospheres, there are pre-filtration elements (👉 FILTERS, CARTRIDGES AND BELTS).

In very dusty atmospheres, with pre-filtration, the cartridge replacement interval must be reduced to 250 hours.

⚠️ IMPORTANT ⚠️

*Change the cartridge in a clean location, with the engine stopped.
Never operate the lift truck with the air filter removed or damaged.*

- Open the engine cover (👉 2 - DESCRIPTION: CONTROL AND COMMAND INSTRUMENTS).
- Release the locks 1 and remove the cover 2.



- Gently remove the cartridge 3 taking care to avoid spilling the dust.
- Leave the safety cartridge in place.
- Carefully clean the following parts with a clean, damp, lint-free cloth:
 - The inside of the filter and its cover and the inlet hose.
 - The gasket surfaces of the filter and the cover.
- Check the condition and attachment of the hoses between the air filter and the engine
- Check the condition and connection of the clogging indicator on the filter.
- Check the condition of the new filter cartridge (↖ FILTERS AND BELTS).
- Introduce the cartridge into the filter axis, pressing on the edges and not the middle.
- Reassemble the cover, guiding the valve downwards.



REPLACE

Hydraulic oil

REPLACE

Hydraulic oil tank filter cap



Dispose of the drain oil in an ecological manner.

Thoroughly clean the area surrounding the drain plug and the hydraulic tank access hatch.

- Place the lift truck on level ground with the engine stopped, the mast tilted backward and lowered as far as possible.
- Open the engine cover (↖ 2 - DESCRIPTION: CONTROL AND COMMAND INSTRUMENTS).



DRAINING THE OIL

- Place a container under drain plug 1 and unscrew the plug.
- Remove level and filling plug 2 to ensure that the oil is drained properly and discard.

FILLING UP THE OIL

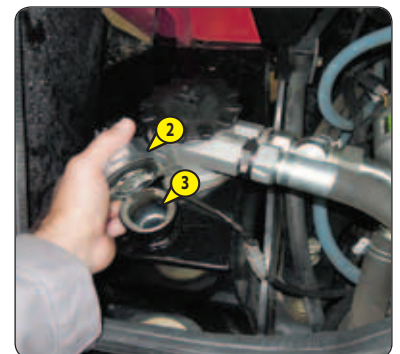
- Clean and refit the drain plug 1 (tightening torque 29 to 39 N.m).
- Fill up with oil (↖ LUBRICANTS AND FUEL) through filler port 3.
- Check the oil level on dipstick 4, the oil level should be at the level of the red point.
- Check for any possible leaks at the drain plug.

FILTER PLUG REPLACEMENT

- Replace filler plug with a new filler plug 2 (↖ FILTERS CARTRIDGES AND BELTS).

HYDRAULIC CIRCUIT DECONTAMINATION

- Let the engine run (accelerator pedal at mid position) for 5 minutes without using any accessories on the lift truck, then for 5 more minutes while using all the hydraulic movements (except the steering system and the service brakes).
- Accelerate the engine at full speed for 1 minute, then activate the steering system and the service brakes.
- This operation allows the circuit to be decontaminated by the hydraulic oil filter.



It is sometimes necessary to bleed the circuits at the pump inlets when an air bubble has formed during draining. In this case, refer to your dealer.



<u>CHECK</u>	<i>Engine silent blocks *</i>
<u>CHECK</u>	<i>Engine speeds *</i>
<u>CHECK</u>	<i>Engine valve clearances *</i>
<u>CHECK</u>	<i>Condition of wheels and tyres *</i>
<u>CHECK</u>	<i>Speeds of hydraulic movements *</i>
<u>CHECK</u>	<i>Condition of hoses and flexible pipes *</i>
<u>CHECK</u>	<i>Condition of cylinders (leakage, rods) *</i>
<u>CHECK</u>	<i>Condition of wiring harnesses and cables *</i>
<u>CHECK</u>	<i>Lights and signals (option) *</i>
<u>CHECK</u>	<i>Warning indicators *</i>
<u>CHECK</u>	<i>Condition of the rear view mirrors *</i>
<u>CHECK</u>	<i>Cab structure *</i>
<u>CHECK</u>	<i>Frame structure *</i>
<u>CHECK</u>	<i>Attachment carriage *</i>
<u>CHECK</u>	<i>Condition of attachments *</i>

** Consult your dealer.*



🔧 2000H - PERIODIC MAINTENANCE - EVERY 2000 HOURS OF SERVICE OR 4 YEARS

ALSO PERFORM THE 500 HOUR AND 1000 HOUR PERIODIC MAINTENANCE OPERATIONS.

CHECK

Wheel nut tightening torques

- Check the condition of the tyres, to detect cuts, blisters, wear, etc.
- Check the tightening torque of the wheel nuts with a torque wrench.
 - Front wheels: 550 N.m ± 55 N.m
 - Rear wheels: 110 N.m ± 16 N.m MC18-2
 - Rear wheels: 200 N.m ± 20 N.m MC18-4

REPLACE

Dry air filter safety cartridge

⚠ IMPORTANT ⚠

*The safety cartridge replacement frequency is given for information only.
It must be changed every second time the dry air filter cartridge is changed.*

- For the disassembly of the dry air filter cartridge (⏪ 1000H: REPLACE Dry air filter cartridge).
- Carefully remove the dry air filter safety cartridge 1, taking care to avoid spilling the dust.
- Clean the gasket surface of the safety cartridge with a clean, damp, lint-free cloth.
- Check the condition of the new safety cartridge (⏪ FILTERS AND BELTS).
- Introduce the safety cartridge into the filter axis, pressing on the edges and not the middle.
- For the reassembly of the dry air filter cartridge (⏪ 1000H: REPLACE Dry air filter cartridge).



REPLACE

Coolant

These operations are to be carried out as necessary or every two years at the beginning of winter.

⚠ IMPORTANT ⚠

The engine does not contain any corrosion resistor and must be filled during the whole year with a mixture containing 25% of ethylene glycol-based antifreeze.

- Place the lift truck on level ground with the engine stopped and cold.
- Open the engine cover (⏪ 2 - DESCRIPTION: CONTROL AND COMMAND INSTRUMENTS).
- Remove the cover plate 1.





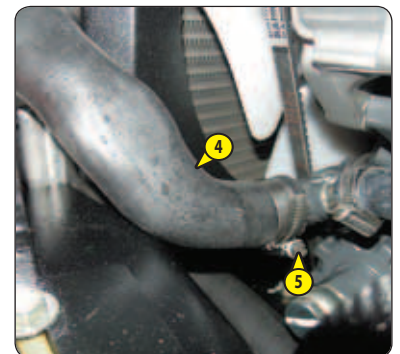
DRAINING THE LIQUID

- Remove the cover plate 1.
- Remove the filler plug 2 to ensure that the oil is drained properly.
- Open valve 3 to ensure that the oil is drained properly.
- Place a container under the hose 4.
- Undo the clamp 5 and remove the hose.
- Let the cooling circuit drain entirely while ensuring that the ports do not get clogged.
- Check the condition of the hoses and their attachments, and change if necessary.
- Rinse the circuit with clean water, or use a cleaning agent if necessary.



FILLING WITH COOLING LIQUID

- Refit the hose 4 with the clamp 5.
- Close up valve 3.
- Slowly fill the system with the coolant (⚠ LUBRICANTS AND FUEL) through the filler port 6.
- Refit the filler plug 2.
- Run the engine at idle for a few minutes.
- Visually check that there is no leakage in the radiator and pipes.
- Check the level and refill if necessary.



CHECK	<i>Injection pump *</i>
CHECK	<i>Injectors *</i>
CHECK	<i>Radiator *</i>
CHECK	<i>Water pump and thermostat *</i>
CHECK	<i>Alternator and starter *</i>
CHECK	<i>Hydrostatic transmission circuit pressures *</i>
CHECK	<i>Hydrostatic transmission control flow *</i>
CHECK	<i>Hydrostatic transmission / accelerator cut-off operation *</i>



CHECK	Steering *
CHECK	Swivel pins (MC 18-2)
CHECK	Wheel reduction gear pivots (MC 18-4)
CHECK	Rear axle *
CHECK	Disc brake wear on wheel motors *
CHECK	Condition of boom assembly *
CHECK	Mast lifting chains *
CHECK	Mast lifting chain pulleys *
CHECK	Mast guide rollers *
CHECK	Mast bearing rollers *
CHECK	Thickness of the mast wearing plates *
CHECK	Hydraulic circuit pressures *
CHECK	Hydraulic circuit flow rates *
CHECK	Bearings and bushings *
CLEAN/CHECK	Hydraulic oil tank and strainer *

** Consult your dealer.*



➔ OCCASIONAL MAINTENANCE

CLEAN

Engine compartment

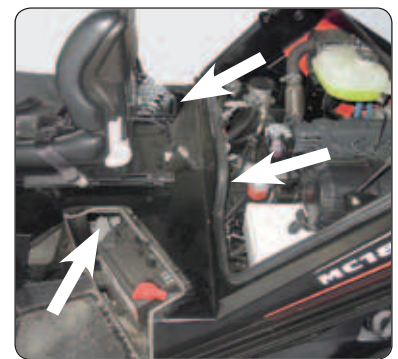
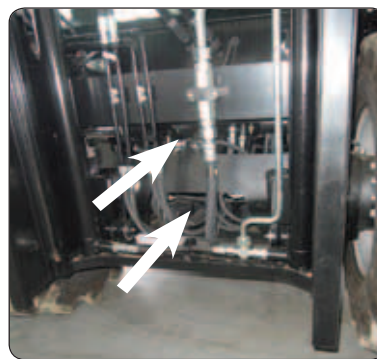
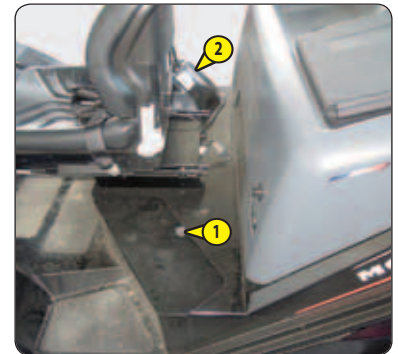
CLEAN

Inside of chassis

⚠ IMPORTANT ⚠

Ne pas utiliser de jet d'eau ou de vapeur à haute pression.

- Open the engine cover (☞ 2 - DESCRIPTION: CONTROL AND COMMAND INSTRUMENTS).
- Open the battery access cover 1.
- Remove the protection of hydraulic controls 2.
- Clean the engine compartment and the inside of chassis with compressed air.



REPLACE

Wheels

⚠ IMPORTANT ⚠

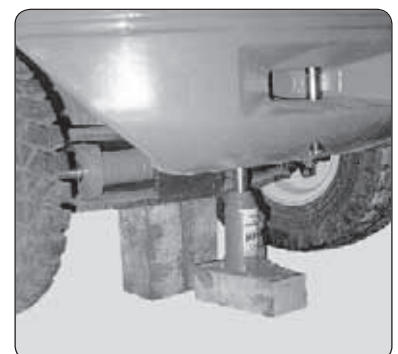
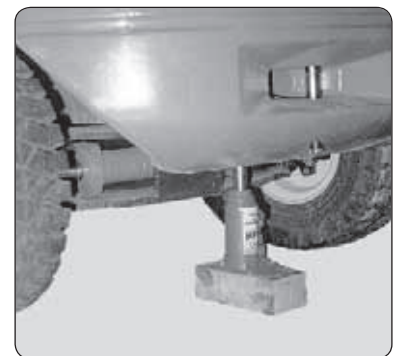
In the event of a wheel being changed on the public highway, secure the lift truck vicinity:

- Stop the lift truck, if possible on firm, level ground.
- To pass on stop of lift truck (☞ 1 - OPERATING AND SAFETY INSTRUCTIONS: driving instructions unladen and laden).
- Switch on the hazard warning lights (Option).
- Immobilize the lift truck in both directions on the axle opposite to the wheel to be changed.
- Loosen the nuts of the wheel to be changed until they can be easily removed.

REAR WHEEL

For this operation, we advise you to use the hydraulic jack MANITOU Part number 505507.

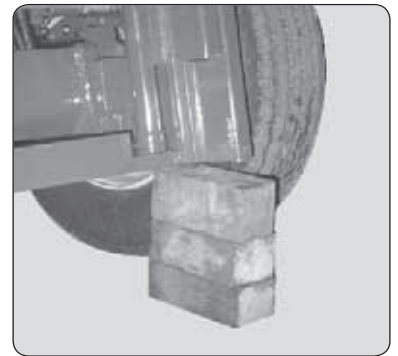
- Place the jack under the counterweight. It must be situated in the middle and under the flat part of the counterweight.
- Lift the wheel until it comes off the ground and put in place the safety block under the axle.
- Completely unscrew the wheel nuts and remove them.
- Free the wheel by reciprocating movements and roll it to the side.
- Slip the new wheel on the wheel hub.
- Hand-tighten the nuts, grease them if necessary.
- Remove the security block and lower the lift truck with the jack.
- Tighten the wheel nuts with a torque wrench (☞ 2000H - PERIODIC MAINTENANCE - EVERY 2000 HOURS OF SERVICE OR EVERY 4 YEARS) for tightening torque.





FRONT WHEEL

- Lift the carriage and tilt the mast backwards.
- Immobilize under the foot of the mast on the side where the wheel is being changed.
- Tilt the mast forwards to lift the wheel.
- Place wedges under the chassis as near as possible to the wheel.
- Completely unscrew the wheel nuts and remove them.
- Free the wheel by reciprocating movements and roll it to the side.
- Slip the new wheel on the wheel hub.
- Hand-tighten the nuts, grease them if necessary.
- Remove the wedges under the axle and lower the lift truck.
- Tighten the wheel nuts with a torque wrench ($\leq 2000H$ - PERIODIC MAINTENANCE - EVERY 2000 HOURS OF SERVICE OR EVERY 4 YEARS) for tightening torque.



REPLACE

Battery

⚠ IMPORTANT ⚠

Handling and servicing a battery can be dangerous; take the following precautions:

- *Wear protective goggles.*
- *Keep the battery horizontal.*
- *Never smoke or work near a naked flame.*
- *Work in a well-ventilated area.*
- *In the event of electrolyte being spilled onto the skin or splashed in the eyes, rinse thoroughly with cold water for 15 minutes and call a doctor.*

- Open the access cover 1.
- Unscrew the battery fastener 2.
- Disconnect terminal 3 (+) then terminal 4 (-).
- CHANGE THE BATTERY



BLEED

Fuel supply system

These operations are to be carried out only in the following cases:

- A component of the fuel system replaced or drained.
- A drained tank.
- Running out of fuel.

Ensure that the level of fuel in the tank is sufficient and bleed in the following order:

BLEEDING THE FUEL FILTER

- Open the engine cover (☞ 2 - DESCRIPTION: CONTROL AND COMMAND INSTRUMENTS).
- Unscrew bleeder screw 1.
- Switch on the lift truck ignition until the diesel fuel flows from the bleeder screw free of any air.
- Tighten the bleed screw while the diesel fuel is flowing out.

BLEEDING THE INJECTION PUMP

- Open bleed screw 2.
- Switch on the lift truck ignition until the diesel fuel flows from the bleeder screw free of any air.
- Hermetically close the bleed valve while the diesel fuel is flowing.

The engine is now ready to be started.

NOTE: If the engine runs correctly for a short time then stops or runs erratically, check for possible leaks in the low pressure circuit. If in doubt, contact your dealer.



ADJUST

Front headlights

RECOMMENDED SETTING

(as per standard ECE-76/756 76/761 ECE20)

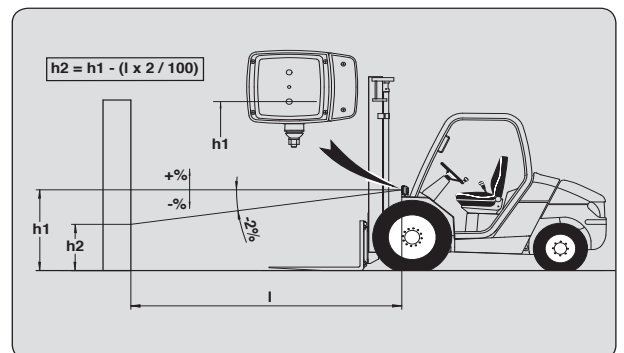
Adjustment of -2 % of the dipped beam relative to the horizontal axis of the headlight.

ADJUSTMENT PROCEDURE

- Place the unladen lift truck in the transport position and perpendicular to a white wall on flat, level ground.
- Check the tyre pressures (☞ 2 - DESCRIPTION: TYRES).
- Place the forward/reverse selector in neutral.

CALCULATING THE HEIGHT OF THE DIPPED BEAM (H2)

- h1 = Height of the dipped beam in relation to the ground.
- h2 = Height of the adjusted beam.
- l = Distance between the dipped beam and the white wall.





⇒ OCCASIONAL OPERATION

TOW

Lift truck

If the lift truck is on a slope, with the parking brake applied, chock it so that it does not go down the slope.

⚠ IMPORTANT ⚠

The lift truck must be towed very slowly (less than 5 km/h) and for as short a distance as possible (less than 100 m).

Use a rigid coupling bar as the lift truck is uncoupled from its braking system.

UNLOCKING THE HYDROSTATIC TRANSMISSION

NB For towing a lift truck, the high pressure limiters 1 must be unlocked to avoid damaging the hydrostatic transmission.

- Open the engine cover (↖ 2 - DESCRIPTION: CONTROL AND COMMAND INSTRUMENTS).
- Unscrew the nuts 2 by two turns at the most.

UNLOCKING THE FRONT WHEEL BRAKES

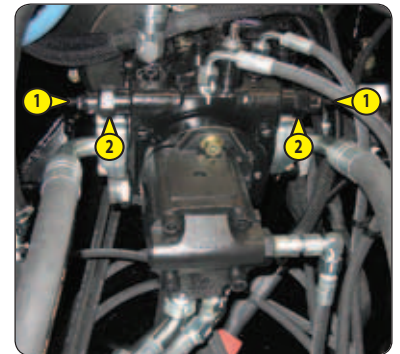
- Open the battery access flap 3.
- Push the button 4.
- Pump (at least 20 times) using button 5 to release the front wheel brakes.

TOWING THE LIFT TRUCK

- Switch on the hazard warning lights (Option).
- Tow the lift truck slowly and carefully.

The hydraulic steering assistance is faulty:

- Act slowly and energetically on the steering wheels.
- Avoid sudden, jerky movements.



AFTER TOWING THE LIFT TRUCK

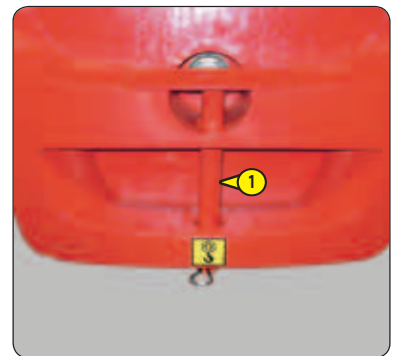
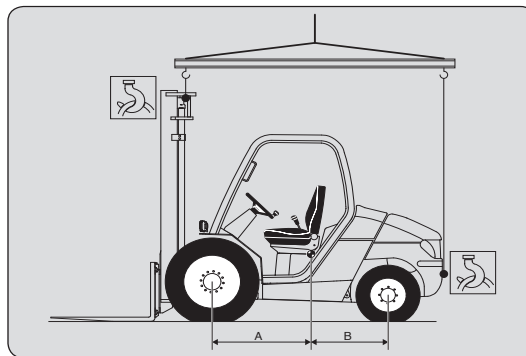
- Proceed in reverse order to lock the high pressure limiters.
- Pull button 4 to reactivate braking.

SLING

Lift truck

- Take into account the position of the lift truck centre of gravity for lifting.

A = 993 mm	B = 903 mm	MC18-2
A = 1013 mm	B = 887 mm	MC18-4
- Place the hooks in the fastening points 1 provided.



TRANSPORT

Lift truck

⚠ IMPORTANT ⚠

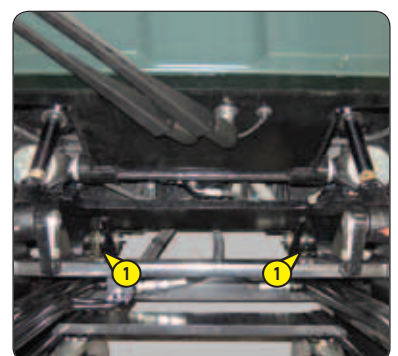
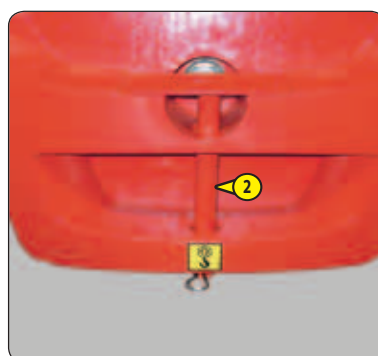
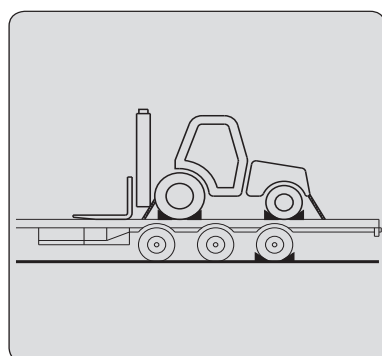
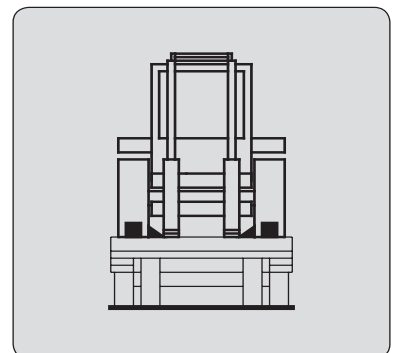
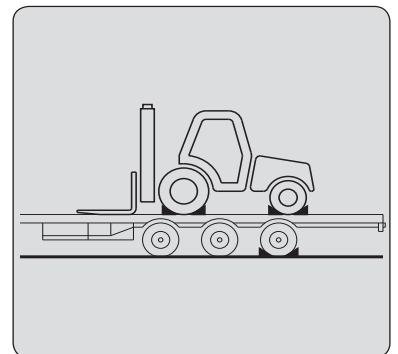
*Ensure that the platform safety instructions are correctly applied before the loading of the lift truck and that the driver of the means of transport is informed about the dimensions and the weight of the lift truck (↖ 2 - DESCRIPTION: CHARACTERISTICS).
Ensure that the platform is of sufficient size and load capacity for transporting the lift truck.
Check also the allowable ground contact pressure of the platform relative to the lift truck.*

LOADING THE LIFT TRUCK

- Block the wheels of the platform.
- Attach the loading ramps to the platform in such a way as to give the shallowest possible ramp angle for the lift truck.
- Load the lift truck parallel to the platform.
- Shut down the lift truck (↖ 1 - OPERATING AND SAFETY INSTRUCTIONS: DRIVING INSTRUCTIONS UNLADEN AND LADEN).

STOWING THE LIFT TRUCK

- Fix the chocks to the platform at the front and at the back of each tyre.
- Also fix the chocks to the platform on the inside of each tyre.
- Secure the lift truck to the platform with sufficiently strong ropes:
 - At the front, to the anchoring points 1
 - At the rear, to the slinging and anchoring pin 2.
- Tighten the ropes.







4 - O P T I O N A L A D A P T A B L E A T T A C H M E N T S F O R T H E R A N G E





TABLE OF CONTENTS

4 - OPTIONAL ADAPTABLE ATTACHMENTS FOR THE RANGE

<u>INTRODUCTION</u>	5
<u>TECHNICAL SPECIFICATIONS OF ATTACHMENTS</u>	6
<u>ATTACHMENT SHIELDS</u>	7





INTRODUCTION

Your lift truck must be used with interchangeable equipment. These items are called: ATTACHMENTS.

A wide range of attachments is available, guaranteed by MANITOU and designed to fit your lift truck perfectly.

⚠ IMPORTANT ⚠

*Only attachments approved by MANITOU are to be used on our lift trucks
(see: 4 - ADAPTABLE ATTACHMENTS IN OPTION ON THE RANGE: TECHNICAL SPECIFICATIONS OF ATTACHMENTS).
The manufacturer shall not be liable for any modification or adaptation of an attachment made without its knowledge.*

The attachments are delivered with a load chart concerning your lift truck. The operator's manual and the load chart should be kept in the places provided in the lift truck. For standard attachments, their use is governed by the instructions contained on this notice.

⚠ IMPORTANT ⚠

*Maximum loads are defined by the capacity of a lift truck taking account of the attachment's mass and center of gravity.
In the event of the attachment having less capacity than the lift truck, never exceed this limit.*

All attachments with a suspended load (winch, crane jib, crane jib with winch, hook, etc.) MUST be used with a lift truck equipped with a hydraulic movement cut-out device. In this case, the movement cut-out must be switched on and the transverse attitude perfectly horizontal.

Some particular uses require the adaptation of the attachment which is not provided in the price-listed options. Optional solutions exist, consult your dealer.



TECHNICAL SPECIFICATIONS OF ATTACHMENTS

*: Double mast with all-round vision (DVT)

** : Double mast with free-acting lift (DLL)

***: Triple mast with free-acting lift (TLL)

STANDARDISED SIDE-SHIFT CARRIAGE

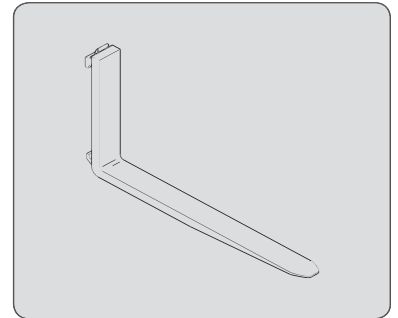
PART NO.	TDL 25N / L1260 229814
Rated capacity	kg
Side-shift	- mm
Width	mm
Ground	kg



STANDARDIZED FORK

PART NO.	306169	315873	315874
Section	100 x 35 x 1070 mm	100 x 35 x 1150 mm	100 x 35 x 1220 mm
Ground	kg	kg	kg

PART NO.	52502484
Section	100 x 35 x 1520 mm
Ground	kg





ATTACHMENT SHIELDS

FORK PROTECTOR

PART NO.

227801

