

# MHT Evolution

THE HIGH CAPACITY HANDLING Solution

TECHNICAL DATA



**NEW**  
**SAIE 2011**  
INTERNATIONAL BUILDING EXHIBITION



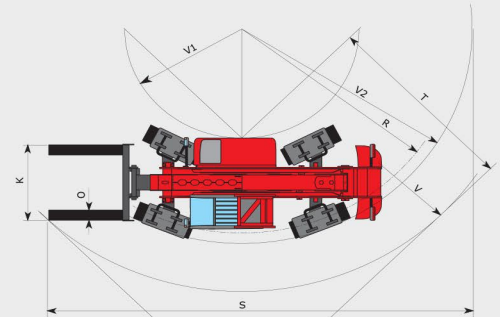
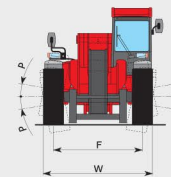
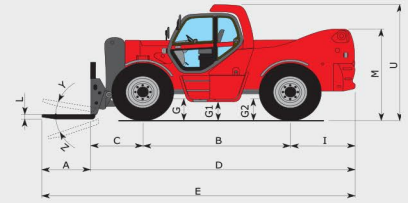
MHT 10180



# MHT Evolution

## MHT 10180

	<b>Lifting capacity</b>	
	CDG 600 mm	<b>18000 kg</b>
	CDG 900 mm	-
	CDG 1200 mm	14000 kg
	<b>Lifting height</b>	9.7 m
	<b>Time: laden/unladen (in s)</b>	
	Raise	25.00
	Lower	17.00
	Deploy telescope	14.00
	Retract telescope	11.00
	<b>Tyres</b>	445/95 R25 XLB
	<b>Forks (mm)</b>	
	Length x width x thickness	1500 x 200 x 80
	<b>Braking</b>	
	Service brake	multiple-disc brakes hydraulically assisted on front and rear axles
	Parking brake	negative
	<b>MERCEDES MTU Engine</b>	OM 904
	Capacity	4 cyl. - 4250 cm <sup>3</sup>
	Power at 2200 rpm (ISO/TR 14396)	175 HP/129 kW
	Max. torque at 1200 rpm - 1600 rpm	675 Nm
	Injection	direct
	Cooling	water
	<b>Transmission</b>	hydrostatic with automatic power regulation (hydraulic variable displacement pump and motor)
	Reversing shift	electromagnetic
	Number of gears (forward/reverse)	2/2
	Max. travel speed	25 km/h
	<b>Rear axle</b>	OMCI Heavy Duty (type stacker)
	Frame levelling	10°/10°
	<b>Steering mode</b>	4 wheel steer / 4 wheel drive 3 steering mode
	<b>Hydraulics</b>	
	Pump (Piston Load Sensing)	170 l/min - 350 bar
	<b>Control</b>	joysticks JSM (Joystick Switch and Move)
	<b>Capacities</b>	
	Cooling system	16 l
	Engine oil	16 l
	Hydraulic oil	200 l
	Fuel tank	200 l
	<b>Unladen weight (with forks)</b>	24080 kg
	<b>Width overall</b>	2.50 m
	<b>Height overall</b>	2.93 m
	<b>Length (forks carriage)</b>	6.60 m
	<b>Ground clearance</b>	0.45 m
	<b>Drawbar pull</b>	15500 daN



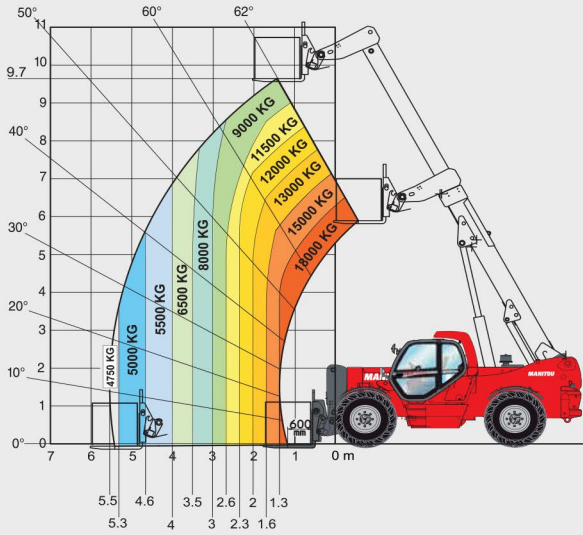
mm	MHT 10180
A	1500
B	3650
C	1335
D	6605
E	8105
F	2070
G	685
G1	445
G2	685
I	1620
K	1750
L	80
M	2300
O	200
P	10°
R	5445
S	10345
T	4255
U	2935
V	6810
V1	2870
V2	5685
W	2500
Y	12°
Z	105°



## ROUGH TERRAIN LOAD CHART (UNDER EN 1459 ANNEXE B)

**MHT 10180**

**CDG 600 MM**



**CDG 1200 MM**

