



## RX 20 Technical Data Electric Forklift Truck

RX 20-20L/Li-Ion



**IFOY AWARD**  
counter balanced truck  
of the year 2018

first in intralogistics

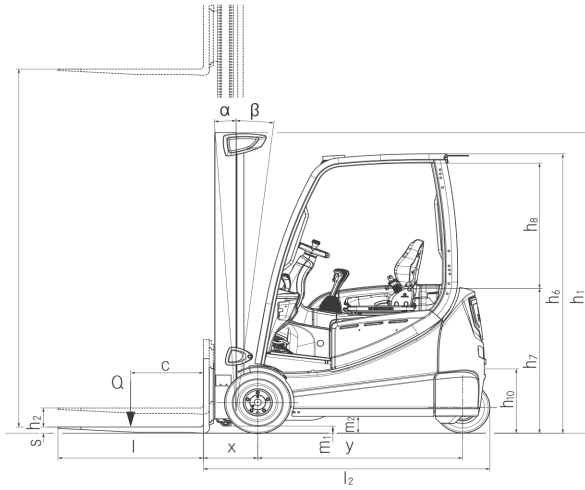


**RX 20 Electric Forklift Truck**  
Electrifying

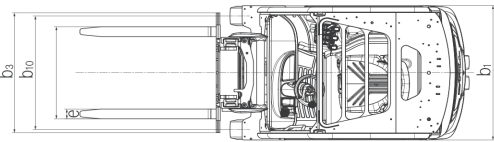
Distinguishing marks	1.1	Manufacturer			STILL	
	1.2	Manufacturer's type designation			<b>RX 20-20L/Li-Ion</b>	
	1.2.1	Manufacturer type number			6225	
	1.3	Drive			Electric	
	1.4	Operation			Seated	
	1.5	Capacity/load	Q	kg	2000	
	1.6	Load centre	c	mm	500	
	1.8	Load distance	x	mm	388	
	1.9	Wheel base	y	mm	1517	
Weights	2.1	Service weight (incl. battery)		kg	3486	
	2.2	Axle load, laden	front/rear	kg	4860/623	
	2.3	Axle load, unladen	front/rear	kg	1689/1794	
Wheels/chassis	3.1	Tyres			Superelastic	
	3.2	Tyre size	front		200/50-10	
	3.3	Tyre size	rear		140/55-9	
	3.5	Number of wheels (x = driven)	front/rear		2x/2	
	3.6	Track width	front/rear	b <sub>10</sub> /b <sub>11</sub>	mm	942/172
	Dimensions	4.1	Angle of mast/fork carriage	forwards/backwards	α/β	°
4.2		Height of mast	when lowered	h <sub>1</sub>	mm	2160
4.3		Free lift		h <sub>2</sub>	mm	150
4.4		Lift		h <sub>3</sub>	mm	3180
4.5		Height of mast	when raised	h <sub>4</sub>	mm	3742
4.7		Height over overhead guard (low variant)		h <sub>6</sub>	mm	2035 (1949)
4.8		Seat height/standing height		h <sub>7</sub>	mm	965
4.12		Coupling height		h <sub>10</sub>	mm	473
4.19		Total length		l <sub>1</sub>	mm	2866
4.20		Length including fork backs		l <sub>2</sub>	mm	2066
4.21		Total width		b <sub>1</sub>	mm	1149
4.22		Depth of prongs		s	mm	40
4.22.1		Width of prongs		e	mm	80
4.22.2		Length of prongs		l	mm	800
4.23		Fork carriage DIN 15173, class/form A, B				ISO II A
4.24		Fork carriage width		b <sub>3</sub>	mm	980
4.31		Ground clearance under mast		m <sub>1</sub>	mm	≥90
4.32		Ground clearance, centre of wheel base		m <sub>2</sub>	mm	114
4.33		Working aisle width with 1000 x 1200 pallet crossways		A <sub>st</sub>	mm	3390
4.34		Working aisle width with 800 x 1200 pallet lengthways		A <sub>st</sub>	mm	3516
4.35		Turning radius		W <sub>3</sub>	mm	1678
4.36	Smallest pivot point distance		b <sub>13</sub>	mm	-	
Performance data	5.1	Driving speed (Blue-Q/Normal/Sprint)	with load		km/h	16/16/20
	5.1.1	Driving speed (Blue-Q/Normal/Sprint)	without load		km/h	16/16/20
	5.2	Lifting speed	with load		m/s	0.45
	5.2.1	Lifting speed	without load		m/s	0.63
	5.3	Lowering speed	with/without load		m/s	0.48/0.41
	5.5	Traction	with/without load		N	4800/5000
	5.6	Max. traction	with/without load		N	11900/8700
	5.7	Gradeability	with/without load		%	15/18.1
	5.8	Max. gradeability	with/without load		%	23/27
	5.9	Acceleration time/15 m (Blue-Q/Normal/Sprint)	with load		s	5.8/5.5/5.3
5.9.1	Acceleration time/15 m (Blue-Q/Normal/Sprint)	without load		s	5.4/5.1/4.8	
5.10	Service brake				Electric/mechanical	
Electric motor	6.1	Drive motor, rating S2 60 min			kW	2 x 6.5
	6.2	Lifting motor, output at S3 15%			kW	11
	6.3	Battery according to DIN 43531/35/36 A, B, C, no				DIN 43531 A (B)
	6.4	Battery voltage	U	V		48
	6.4.1	Battery capacity	K <sub>5</sub>	Ah		750
	6.5	Battery weight		kg		1013
	6.6	Energy consumption in accordance with EN 16796		kWh/h		4.6
	6.7	Turnover performance		t/h		155
6.8	Energy consumption at indicated turnover performance		kWh/h		6.2	
Other	10.1	Working pressure for attachments			bar	240
	10.2	Oil volume for attachments			l/min	26.5
	10.7	Sound level at driver's ear			dB(A)	<66
	10.7.1	Human vibrations: Acceleration in accordance with EN 13059			m/s <sup>2</sup>	<0.6
10.8	Trailer coupling, item/DIN type				Bolt	

This specification sheet, which conforms to VDI guideline 2198, provides the technical values for the standard equipment only. Different tyres, other masts, additional equipment etc. may produce different figures.

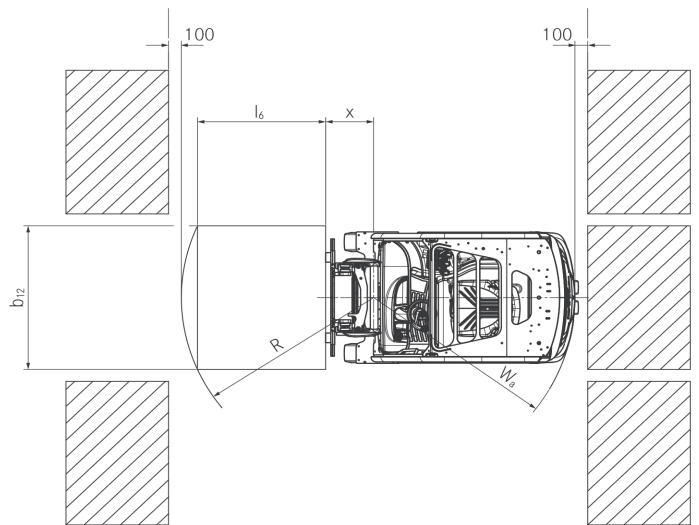
RX 20 Electric Forklift Truck  
Technical Drawings



3-wheel side view



3-wheel top view



3-wheel top view

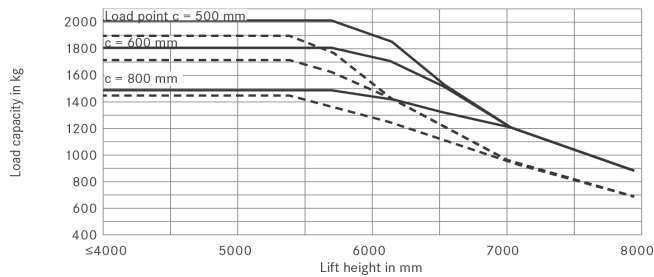


RX 20 Electric Forklift Truck  
Mast Table

				Triplex mast	
RX 20-20	Nominal lift	$h_3$	mm	5080	
	Height	$h_1$	mm	2260	
	Free lift	$h_2$	mm	1780	
	Maximum height	$h_4$	mm	5644	
	Angle of mast forwards	$\alpha$	°		
	Angle of mast backwards	$\beta$	°		
	Fork lock-in position centre-centre		mm		
	Tyres rear			140/55-9	
RX 20-20L	Tyres front		200/50-10		
	Track front/rear		mm	942/172	990
	Maximum width	b	mm	1149	1188

RX 20 Electric Forklift Truck  
Basic Load Capacities

RX 20-20L/RX 20-20PL Triplex mast single SE tyres



———— with standard forks    - - - - - With integrated side shifter and standard forks  
The listed values may vary depending on the forklift equipment

Gradients

	Gradient	Maximum distance in m	Maximum distance that can be driven in 60 minutes.
With nominal load	<b>RX 20-20L</b>		
	22.9%	1079	
	18.6%	2611	
	1.2%	6857	
	6.1%	12186	
Without load	25.1%	3027	
	18.1%	5632	
	9.6%	13570	
	4.7%	20000	

Dry rough concrete = coefficient of friction 0.80  
Battery: Standard as per data sheet; speed is variable