



**TECHNICAL SHEET**



**PERFORMANCE**

Max working height	14,9 m
Max working outreach	6,9 m
Max load on the basket	230 kg
Jib movement	90°
Turret rotation	± 178° (Tot. 356°)
Basket rotation	N.A.
<b>P</b> Max slope to stabilize	7° / 12%
Tracks enlargement (optional)	0.30 m
<b>W</b> Max ramp slope (attack)	13° / 23%
<b>X</b> Max slope to travel	17° / 30%
Max transversal slope to travel	5,5° / 10%
Max travel speed	0,7 / 1,5 / 1,7 km/h



**DIMENSIONS**

<b>A</b> Basket height	1,10 m
<b>B</b> Basket width	0,70 m
<b>C</b> Basket length	1,20 m
<b>D</b> Total length	4,12 m
<b>E</b> Total length without basket	3,48 m
<b>F</b> Height in driving position	1,97 m
<b>G</b> Total width (without basket)	0,78 m
<b>H</b> Free height from the ground	0,34 m
<b>I</b> Tracks (LxP)	1,21 x 0,18 m
<b>J</b> Max longitudinal stabilization	2,7 m
<b>K</b> Max cross stabilization	2,7 m
Stabilizers plate Ø	0,18 m



**WEIGHTS**

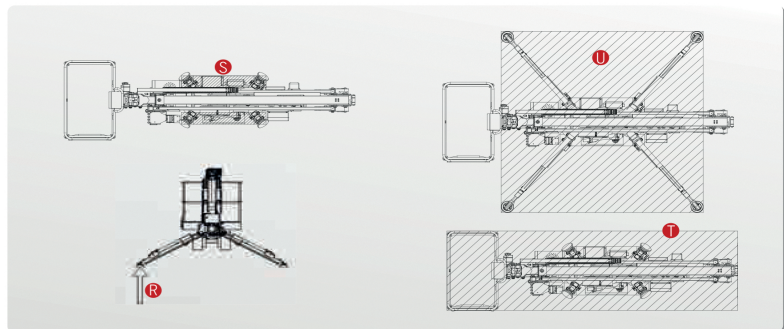
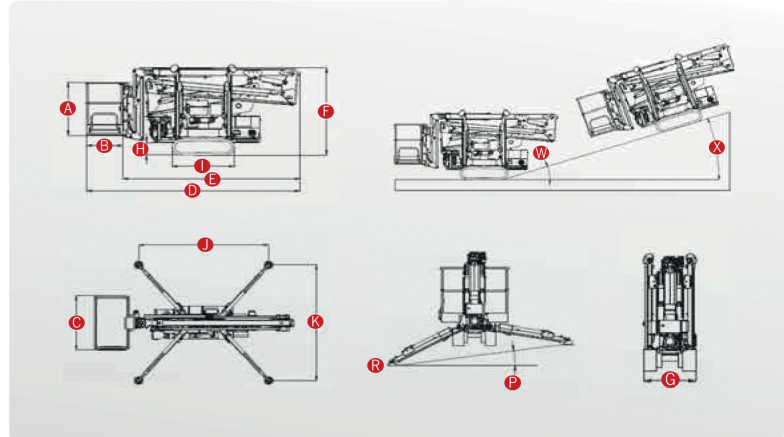
Total weight 2.060 kg / 4.541 lb (Kubota)

<b>(R)</b> Max pressure on the foot	4,54 kg/cm <sup>2</sup> - 44,5 N/cm <sup>2</sup>
<b>(S)</b> Max pressure on the track	0,21 kg/cm <sup>2</sup> - 2,06 N/cm <sup>2</sup>
<b>(T)</b> Max pressure in travel	312 kg/ m <sup>2</sup> - 3,06 kN/m <sup>2</sup>
<b>(U)</b> Max pressure in work	246 Kg/ m <sup>2</sup> - 2,61 kN/m <sup>2</sup>



**POWER**

**Standard power**  
Fuel tank capacity 6,1 L



**MAX LOAD**

⊕ ⊕ ⊕ ⊗ 230 kg / 507 lb

