

Specifications

Engine

Model	HINO J08E-UV
Type	Direct injection, water-cooled, 4-cycle engine with turbocharger, intercooler
No. of cylinders	6
Bore and stroke	112 mm x 130 mm
Displacement	7.684 L
Rated power output	201 kW/2,100 min ⁻¹ (ISO 9249) 213 kW/2,100 min ⁻¹ (ISO 14396)
Max. torque	988 N·m/1,600 min ⁻¹ (ISO 9249) 1,017 N·m/1,600 min ⁻¹ (ISO 14396)

Hydraulic System

Pump	
Type	Two variable displacement pumps + one gear pump
Max. discharge flow	2 x 294 L/min, 1 x 20 L/min
Relief valve setting	
Boom, arm and bucket	34.3 MPa {350 kgf/cm ² }
Power Boost	37.8 MPa {385 kgf/cm ² }
Travel circuit	34.3 MPa {350 kgf/cm ² }
Swing circuit	29.0 MPa {296 kgf/cm ² }
Control circuit	5.0 MPa {50 kgf/cm ² }
Pilot control pump	Gear type
Main control valve	6-spool
Oil cooler	Air cooled type

Swing System

Swing motor	Axial piston motor
Brake	Hydraulic; locking automatically when the swing control lever is in neutral position
Parking brake	Oil disc brake, hydraulic operated automatically
Swing speed	9.7 min ⁻¹ {rpm}
Tail swing radius	3,500 mm
Min. front swing radius	4,370 mm

Attachments

Backhoe bucket and combination

Use	Backhoe bucket					
		Normal digging		Light-duty		
Bucket capacity	ISO heaped	m³	1.2	1.4	1.6	1.8
Struck		m³	0.84	1.0	1.2	1.4
Opening width	With side cutter	mm	1,240	1,420	1,570	—
	Without side cutter	mm	1,110	1,300	1,450	1,680
No. of teeth			4	5	5	5
Bucket weight		kg	930	1,070	1,100	1,200
Combination	2.6 m short arm		○	○	◎	△
	3.3 m standard arm		○	◎	△	×
	4.15 m long arm		◎	△	×	×

◎ Standard ○ Recommended △ Loading only × Not recommended

Travel System

Travel motors	2 x axial-piston, two-step motors
Travel brakes	Hydraulic brake per motor
Parking brakes	Oil disc brake per motor
Travel shoes	48 each side
Travel speed	5.4/3.2 km/h
Drawbar pulling force	321 kN (ISO 7464)
Gradeability	70 % {35°}

Cab & Control

Cab

All-weather, sound-suppressed steel cab mounted on the high suspension mounts filled with silicone oil and equipped with a heavy, insulated floor mat.

Control

Two hand levers and two foot pedals for travel

Two hand levers for excavating and swing

Electric rotary-type engine throttle

Boom, Arm & Bucket

Boom cylinders	140 mm x 1,550 mm
Arm cylinder	170 mm x 1,788 mm
Bucket cylinder	150 mm x 1,193 mm

Refilling Capacities & Lubrications

Fuel tank	580 L
Cooling system	31.1 L
Engine oil	28.9 L
Travel reduction gear	2 x 9.5 L
Swing reduction gear	7.4 L
Hydraulic oil tank	245 L tank oil level
	413 L hydraulic system



Working Ranges

Unit: m

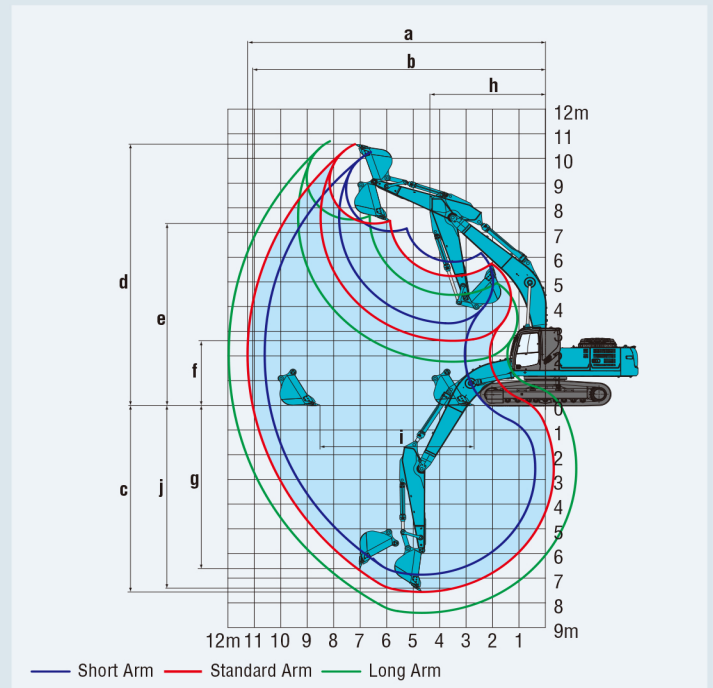
Boom	6.5 m
Range	Arm Standard 3.3 m
a- Max. digging reach	11.26
b- Max. digging reach at ground level	11.06
c- Max. digging depth	7.56
d- Max. digging height	10.58
e- Max. dumping clearance	7.37
f- Min. dumping clearance	2.62
g- Max. vertical wall digging depth	6.61
h- Min. swing radius	4.37
i- Horizontal digging stroke at ground level	5.82
j- Digging depth for 2.4 m (8') flat bottom	7.4
Bucket capacity ISO heaped m ³	1.4

Digging Force (ISO 6015)

Unit: kN

Arm length	Standard 3.3 m
Bucket digging force	222 244*
Arm crowding force	165 181*

*Power Boost engaged.

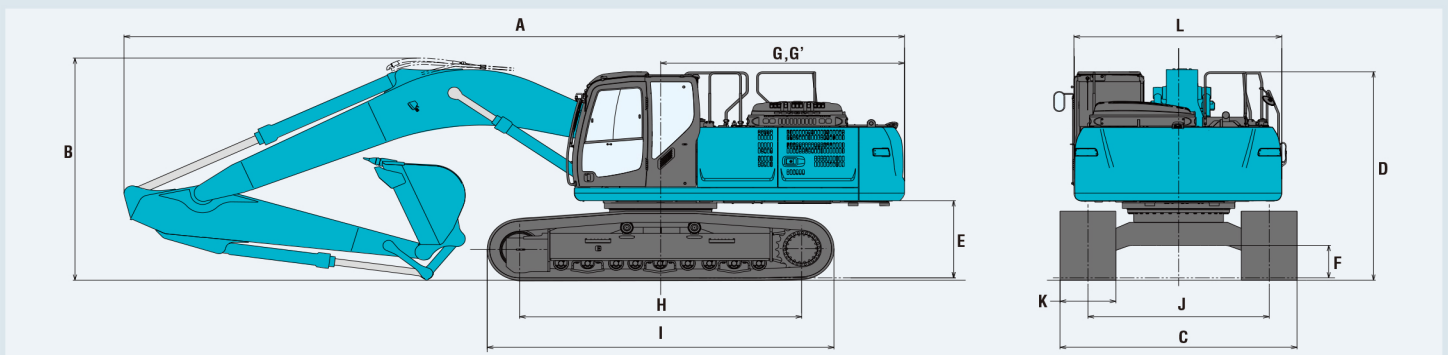


Dimensions

Arm length	Standard 3.3 m
A Overall length	11,200
B Overall height (to top of boom)	3,420
C Overall width of crawler	SK350LC 3,190
	SK350NLC 2,990
D Overall height (to top of cab)	3,210
E Ground clearance of rear end*	1,190
F Ground clearance*	500
G Tail swing radius	3,500

		Unit: mm
G'	Distance from center of swing to rear end	3,500
H Tumbler distance	SK350LC	4,050
	SK350NLC	4,050
I Overall length of crawler	SK350LC	4,960
	SK350NLC	4,960
J Track gauge	SK350LC	2,590
	SK350NLC	2,390
K Shoe width		600
L Overall width of upperstructure		2,980

*Without including height of shoe



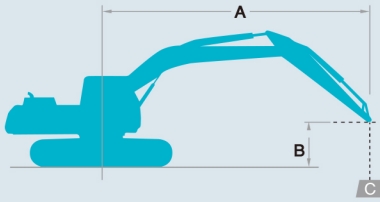
Operating Weight & Ground Pressure

In standard trim, with standard boom, 3.3 m arm, and 1.4 m³ ISO heaped bucket

Shaped	Triple grouser shoes (even height)		
Shoe width	mm		800
Overall width of crawler	SK350LC	mm	3,390
	SK350NLC	mm	—
Ground pressure	SK350LC	kPa	51
	SK350NLC	kPa	—
Operating weight	SK350LC	kg	36,500
	SK350NLC	kg	—



Lifting Capacities



Rating over front



Rating over side or 360 degrees

A: Reach from swing centerline to arm top

B: Arm top height above/below ground

C: Lifting capacities in Kilograms

Bucket: Without bucket

Relief valve setting: 37.8 MPa (385 kgf/cm²)

SK350LC		Boom: 6.5 m Arm: 3.3 m, Bucket: without Shoe: 600 mm															
B	A	1.5 m		3.0 m		4.5 m		6.0 m		7.5 m		9.0 m		At Max. Reach		Radius	
9.0 m	kg														*6,370	*6,370	6.56 m
7.5 m	kg									*7,890	*7,890				*5,840	*5,840	7.86 m
6.0 m	kg									*8,010	7,820				*5,650	*5,650	8.71 m
4.5 m	kg							*9,810	*9,810	*8,580	7,560	*7,900	5,660		*5,660	5,390	9.25 m
3.0 m	kg					*15,260	15,080	*11,280	9,990	*9,340	7,240	*8,260	5,510		*5,840	5,040	9.52 m
1.5 m	kg					*17,510	14,050	*12,580	9,440	*10,070	6,940	8,250	5,360		*6,210	4,920	9.54 m
G.L.	kg					*18,290	13,600	*13,340	9,080	*10,540	6,720	8,130	5,250		*6,840	5,000	9.33 m
-1.5 m	kg			*15,400	*15,400	*17,940	13,500	*13,410	8,930	10,440	6,620				*7,900	5,340	8.85 m
-3.0 m	kg	*17,520	*17,520	*22,610	*22,610	*16,610	13,630	*12,670	8,970	*9,830	6,660				*8,770	6,080	8.07 m
-4.5 m	kg			*18,500	*18,500	*14,020	13,970	*10,650	9,210						*8,690	7,710	6.88 m



STANDARD EQUIPMENT

ENGINE

- Engine, HINO J08E-UV, diesel engine with turbocharger and intercooler
- Automatic engine deceleration
- Batteries (2 x 12V - 120Ah)
- Starting motor (24V - 5kW), 60 amp alternator
- Automatic engine shut-down for low engine oil pressure
- Engine oil pan drain cock
- Double element air cleaner

CONTROL

- Working mode selector (H-mode, S-mode and ECO-mode)
- Power Boost
- Heavy lift

SWING SYSTEM & TRAVEL SYSTEM

- Swing rebound prevention system
- Straight propel system
- Two-speed travel with automatic shift down
- Sealed & lubricated track links
- Grease-type track adjusters
- Automatic swing brake

HYDRAULIC

- Arm regeneration system
- Auto warm up system
- Aluminum hydraulic oil cooler

MIRRORS & LIGHTS

- Three rearview mirrors
- Three front working lights

CAB & CONTROL

- Two control levers, pilot-operated
- Tow eyes
- Horn, electric
- Integrated left-right slide-type control box
- Cab light (interior)
- Luggage tray
- Large cup holder
- Detachable two-piece floor mat
- Retractable seatbelt
- Headrest
- Handrails
- Intermittent windshield wiper with double-spray washer
- Skylight
- Tinted safety glass
- Pull-type front window and removable lower front window
- Easy-to-read multi-display color monitor
- Automatic air conditioner
- Emergency escape hammer
- Suspension seat
- Radio, AM./FM stereo speaker
- TOP guard

Note: This catalog may contain attachments and optional equipment that are not available in your area. And it may contain photographs of machines with specifications that differ from those of machines sold in your areas. Please consult your nearest KOBELCO distributor for those items you require. Due to our policy of continuous product improvements all designs and specifications are subject to change without advance notice. Copyright by **KOBELCO CONSTRUCTION MACHINERY CO., LTD.** No part of this catalog may be reproduced in any manner without notice.

KOBELCO CONSTRUCTION MACHINERY CO., LTD.

17-1, Higashigotanda 2-chome, Shinagawa-ku, Tokyo 141-8626 JAPAN
Tel: +81 (0) 3-5789-2146 Fax: +81 (0) 3-5789-2135
www.kobelco-kenki.co.jp/english_index.html

Inquiries To: