



YANMAR

MINI-EXCAVATOR

SV26

2535/2785 kg



SV26



> COMPACTNESS

The SV26 has been designed to meet all your requirements, and this while executing the most complicated jobs. Compact and lightweight, it can easily be transported on a trailer. Its stability and power enable it to work effectively regardless of the difficulty of your jobsite. The SV26 is intended for a wide range of applications such as urban renewal, grading or landscaping.



THE IDEAL PARTNER FOR WORK IN CONFINED SPACES

The SV26 has excellent performance in a compact package. It is ideal for urban work (no obligation to block 2 traffic lanes) and for landscaping. Its low ground pressure provides excellent efficiency on all types of terrain and decreases soil degradation.

Compact size for easy transport

The transportation weight is only 2600 kg* (5732 lb) and its very compact undercarriage enables the SV26 to be transported with its accessories on a trailer.

* Cab version rubber tracks



SV26



> EQUIPMENT

> STANDARD EQUIPMENT

Engine

- Yanmar water-cooled diesel
- Meets EC standards
- Direct Injection

+

Hydraulic system

- VIPPS Hydraulic system (ViO progressive 3 pump system)
- 1 auxiliary circuit with proportional control
- 2nd speed
- Hydraulic oil gauge

+

Cabin

- LCD Interface
- Cab mounted on viscoelastic rubber blocks
- Fabric covered, adjustable and reclining seat on suspension with headrest
- Adjustable wrist support
- Foot rests
- Wide travel pedals
- Windshield in 2 parts (retractable upper part)

- Double sliding right side window
- Transparent upper front part
- Wipers
- Windshield washer
- Automatic ceiling lamp
- 2 x 12V outlets
- Storage boxes
- Lockable document storage
- Cup Holder

+

Undercarriage

- 4 anchor points
- Blade cylinder supply hose into two parts

+

Safety

- Handrails
- Safety lever
- Safety belt
- Hammer for evacuation
- 3 mirrors
- Horn

Lighting

- 1 LED light integrated into the boom

+

Miscellaneous

- Fuel gauge
- Protection of the blade and boom cylinders
- Hoses protected by abrasion-resistant sleeves.
- Cataphoresis treated steel parts
- Locking Covers
- Tool kit
- Grease pump

OPTIONAL EQUIPMENT

Special paint | Bio oil | Safety valves for lifting + overload warning | Long arm | 2nd auxiliary circuit with proportional control | Potentiometer | Quick Connects | Auto-idling system | Anti-theft device (Key/Keypad) | Centralised lubrication | Skai fabric seat | Radio | Additional counterweight (+ 100 kg) | Enhanced protection of cylinders | Travel alarm | 2 LED head lights on the front of the machine | 1 LED light + beacon to the rear of the machine

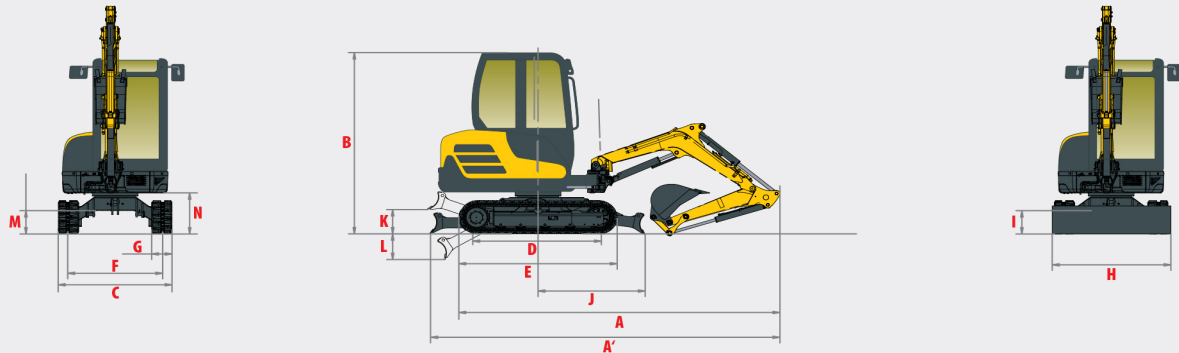
ACCESSORIES

Yanmar gives you the accessories that fit your needs and match the safety standards in force in your country: mechanical quick coupler, hydraulic quick coupler, ditching bucket, swinging bucket, backhoe bucket, hydraulic hammer...

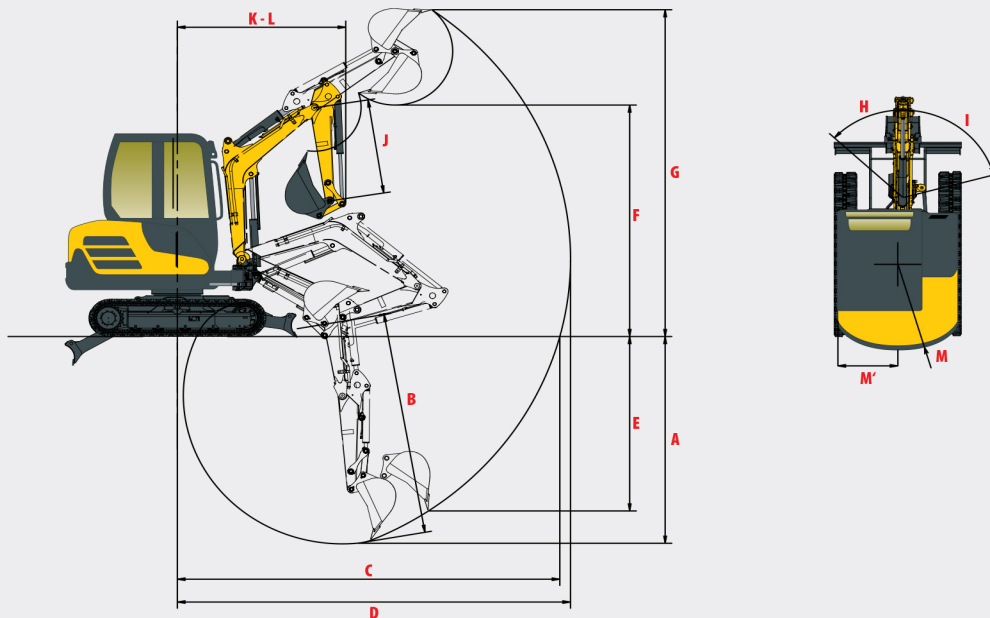
SV26



DIMENSIONS <



A » Overall length	4250 / 4295* mm	H » Overall blade width	1500 mm
A' » Overall length with blade at the back	4470 / 4515* mm	I » Overall blade height	280 mm
B » Overall height	2435 mm	J » Blade distance	1380 mm
C » Overall width	1500 mm	K » Max. blade height above the ground	300 mm
D » Length of track on ground	1550 mm	L » Max. lowering blade depth	350 mm
E » Undercarriage length	2030 mm	M » Minimum ground clearance	320 mm
F » Lane	1250 mm	N » Ground clearance under counterweight	540 mm
G » Track width	250 mm		



A » Max. digging depth - Blade lifted	2595 / 2845* mm	H » Boom swinging base to left	45°
B » Max. digging depth - Blade lowered	2735 / 2995* mm	I » Boom swinging base to right	75°
C » Max. digging reach on ground	4400 / 4580* mm	J » Arm length	1150 / 1400* mm
D » Max. digging reach	4510 / 4695* mm	K » Minimum front swing radius	1900 / 1960* mm
E » Max vertical wall	2245 / 2455* mm	L » Minimum front swing radius with boom swing	1600 / 1655* mm
F » Max. dumping height	2835 / 2995* mm	M » Rear swing radius	1160 mm
G » Max. cutting height	3995 / 4130* mm	M' » Rear swing radius with additional counterweight	1240 mm

* With long arm.

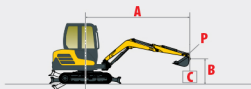
Subject to technical modifications. Dimensions in mm with specific Yanmar bucket.



SV26



> LIFTING FORCE



Tipping load,
rating over front



Tipping load,
rating over side 90°

Standard arm, standard counterweight

		Cabin									
Blade on ground						Blade above ground					
A	Max.	3.5 m		3 m		2.5 m		2 m			
B											
2.5 m	*515	*515	-	-	*525	*525	-	-	-	-	
	*515	*515	-	-	*525	*525	-	-	-	-	
2 m	415	*535	*530	*530	*560	*560	*570	*570	-	-	
	415	*535	*530	*530	*560	*560	*570	*570	-	-	
1 m	375	*545	420	*590	525	*695	700	*815	890	*1040	
	370	430	420	*590	515	*695	680	*815	860	*1040	
0 m	380	*580	415	*610	510	*760	660	*935	920	*1335	C
	370	450	400	450	495	585	640	650	885	1050	
-1 m	430	*580	-	-	505	*610	645	*830	930	*1105	
	430	*580	-	-	500	*610	640	*830	780	*1105	
-1.5 m	*540	*540	-	-	-	-	*580	*580	*765	*810	
	*540	*540	-	-	-	-	*580	*580	*765	*810	

The data contained in these tables represent the lifting capacity in accordance with ISO standard 10567. They don't include the weight of the bucket and correspond to 75% of the maximum static tipping load or 87% of the hydraulic lifting power. Data marked * are the hydraulic limits of the lifting power.

SV26



SPECIFICATIONS <

| WEIGHT +/- 2% (CE STANDARDS)

	Cabin		Canopy	
Operating weight (rubber tracks)	2675 kg	0.33 kg/cm ²	2535 kg	0.30 kg/cm ²
Transport weight (rubber tracks)	2600 kg	0.33 kg/cm ²	2460 kg	0.30 kg/cm ²
With steel tracks	+ 110 kg	0.34 kg/cm ²	+ 110 kg	0.32 kg/cm ²
With additional counterweight	+ 100 kg	0.34 kg/cm ²	+ 100 kg	0.31 kg/cm ²

| ENGINE

Type	3TNV82A-BPBVA
Fuel	Diesel
Net Power	17.6 kW / 23.9 HP / 2400 rpm
Gross Power	18.1 kW / 24.8 HP / 2400 rpm
Displacement	1331 cm ³
Maximum torque	85.5 N.m. / 1400 rpm
Cooling	Liquid
Starter	2.3 kW
Battery	12 V – 56 Ah
Alternator	12 V - 40 A

| HYDRAULIC SYSTEM

Maximum pressure	210 bar
1 double piston pump with variable flow	2 x 32.4 l/min
1 gear pump	21.6 l/min
1 gear pump trochoid	10.8 l/min

PTO	Theoretical data at 1900 rpm	
	Pressure	Oil flow
	0 ~ 210 bar	56 ~ 15 l/min
	0 ~ 210 bar	56 ~ 15 l/min



Oil flow reduces as the pressure increases

| PERFORMANCE

Travel speed	2.9 / 4.8 km/h
Rotation speed	10.2 rpm
Digging force (arm)	14.5 kN (1500 kgf) / 12.7 kN with long arm
Digging force (bucket)	24.5 kN (2500 kgf)
Traction force	37 kN
Grade ability	30°
Noise level (2000/14/CE & 2005/88/CE)	76 dB(A) / 94 dB(A) (LwA)

| UNDERCARRIAGE

Number of top rollers	1
Number of bottom rollers	3
Track tensioning system	Using grease pump

| CAPACITIES

Fuel tank	38.5 l
Coolant	3.8 l
Engine oil	3.7 l
Hydraulic circuit	30 l
Hydraulic tank	25.2 l

MAINTENANCE FREQUENCY

Change engine oil and filter: **500 hours** | Change fuel filter: **250 hours** | Change hydraulic oil filter: **1000 hours** |
Change hydraulic oil filter: **1000 hours** | Change cooling fluid: **1000 hours**