

# Self-Propelled Articulating Booms

## Z™ -60/37FE

### Specifications

**Model** Z-60/37FE

Measurements	Metric
Working height maximum*	20.16 m
Platform height maximum	18.16 m
Horizontal reach maximum	11.15 m
Up and over clearance maximum	7.39 m
<b>A</b> Platform length 6ft	0.76 m
<b>B</b> Platform width 6ft	1.83 m
<b>C</b> Height - stowed	2.54 m
Height - transport (jib tucked under)	2.62 m
<b>D</b> Length - stowed	8.15 m
Length - transport (jib tucked under)	6.30 m
<b>A</b> Width	2.49 m
<b>A</b> Wheelbase	2.49 m
<b>A</b> Ground clearance - center	0.33 m

### Productivity

Lift capacity	227 kg
Platform rotation	160°
Vertical jib rotation	135°
Turntable rotation	355° non-continuous
Turntable tailswing - riser up	0.58 m
Turntable tailswing - riser down	0.81 m
Drive speed - stowed	6.4 km/h
Drive speed - raised**	1.0 km/h
Gradeability - stowed***	45%
Turning radius - inside	2.51 m
Turning radius - outside	5.69 m
Controls	24V DC proportional
Tyres	355/55D 625

### Power

Drive system	34 V 3-Phase AC
Power source	48 V DC (eight 6 V batteries) 390 Ah capacity 24.8 hp (18.5 kW) Kubota D1105 T4f driven AC generator
Auxiliary power unit	12 V DC
Hydraulic tank capacity	68.4 L
Fuel tank capacity	64.4 L

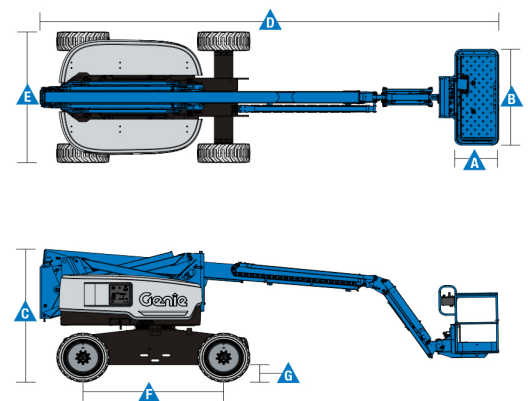
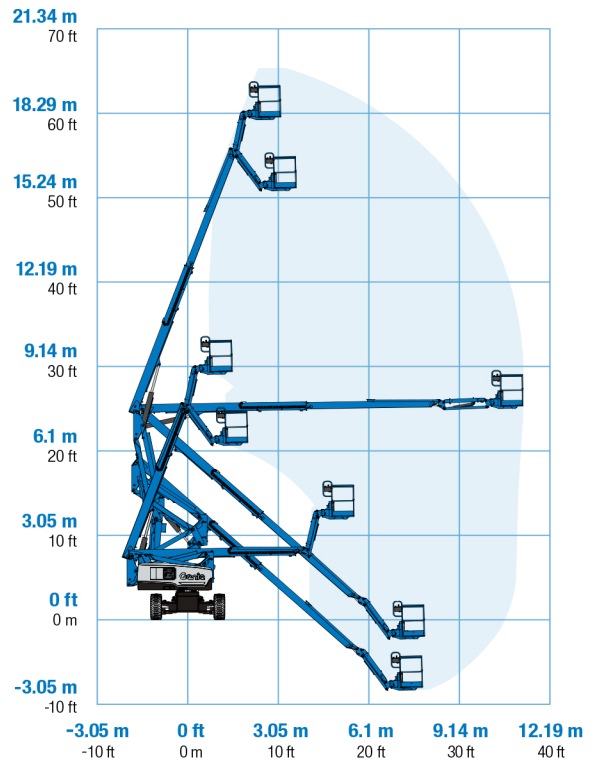
### Sound & Vibration Levels

Sound pressure level (ground workstation)	77 dBA
Sound pressure level (platform workstation)	72 dBA
Vibration	0.55 m/s <sup>2</sup> (1.81 ft/s <sup>2</sup> )

### Weight\*\*\*\*

Z-60/37FE	7,686 kg
-----------	----------

### Range Of Motion Z-60/37FE



\* The metric equivalent of working height adds 2 m to platform height. U.S. adds 6 ft to platform height.  
 \*\* In lift mode (platform raised), the machine is designed to operate on firm, level surfaces only.  
 \*\*\* Gradeability applies to driving on slopes. See operators manual for details regarding slope ratings.  
 \*\*\*\* Weight will vary depending on options and/or country standards.